

General

Competitively priced, good performance and versatility combined with a compact design are the main characteristics of this new series of valves. The aluminium valve body and spool/seal arrangement optimize both the flow rate and the valve switching time.

This new series of valves are available with G1/8" and G1/4" ports in 3/2, 5/2 and 5/3 versions. Monostable or bistable versions are available and include an integrated technopolymer solenoid operator with 9mm stem and built in manual override

The valves can be supplied with or without the solenoid coil, however, if the solenoid coil is required please refer to the following table:

Voltages		Coil Code	Voltage Code
Direct current DC	12V (3,5W)	MF4	F04
	24V (3,5W)	MF5	F05
Alternating current AC 50 Hz	24V (3,7W)	MF56	F56
	110V (3,7W)	MF57	F57
	220V (3,7W)	MF58	F58

Connectors Ordering codes		
Voltages		Kit 100 pieces
DC/AC	24V	888.11.01L-K
Alternating current AC 50 - 60 Hz	110V	888.11.02L-K
	220V	888.11.03L-K

Construction characteristics

Body	Aluminium
Operators	Technopolymer
	Aluminium for spring bottom plates
Spools	Aluminium
Seals	NBR
Pistons	Technopolymer
Springs	Spring steel

Use and maintenance

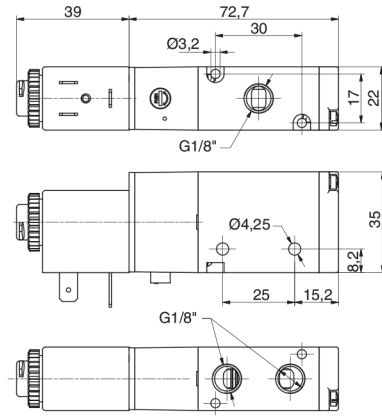
These valves have an average life of 15 million cycles depending on the application and air quality, filtered and lubricated air using specified lubricants will dramatically reduce the wear of the seals and ensures long and trouble free operation.

Please ensure that the valve is being used according with the manufacturers specification, such as air pressure and temperature and that exhaust ports 3 & 5 are protected against the possible ingress of dirt or debris.

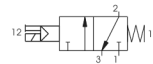
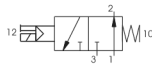
Repair kits including the spool complete with seals are available for overhauling the valves; however, although this is a simple operation it should be carried out by a competent person.

Solenoid - Spring - 3/2

Ordering code
8880.32.F.39.V Self-feeding
FUNCTION
F A=Normally Open
C=Normally Closed
VOLTAGE
F05=24 V DC
F56=24 V (50-60 Hz)
F57=110 V (50-60 Hz)
F58=220 V (50-60 Hz)
F00=Without coil



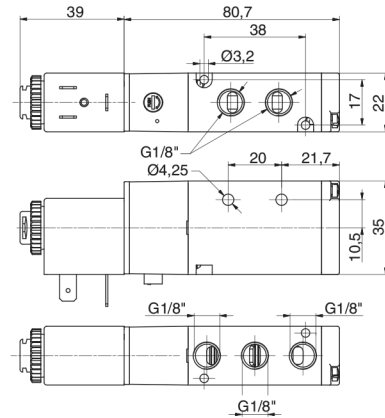
Weight gr. 210
Minimum working pressure 2 bar



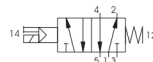
Operating Characteristics	Fluid	Max working pressure (bar)	Operating Temperature °C	Flow rate at 6 bar with Δp=1 (Nl/min)	Orifice size (mm)	Working port size
	Filtered and lubricated air	8	-5 ÷ +50	790	5,8	G 1/8"

Solenoid - Spring - 5/2

Ordering code
8880.52.00.39.V Self-feeding
VOLTAGE
F05=24 V DC
F56=24 V (50-60 Hz)
F57=110 V (50-60 Hz)
F58=220 V (50-60 Hz)
F00=Without coil



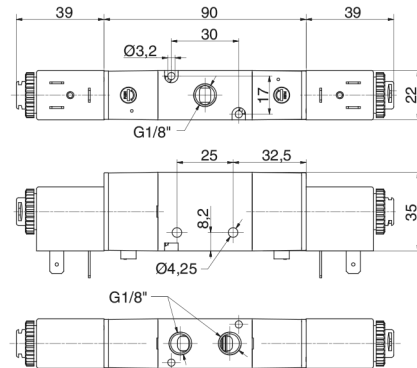
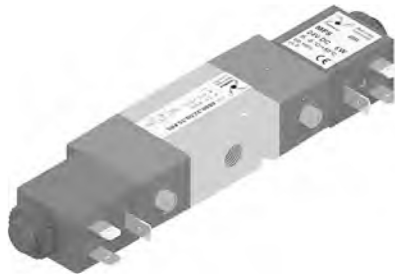
Weight gr. 220
Minimum working pressure 2 bar



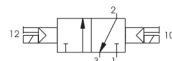
Operating Characteristics	Fluid	Max working pressure (bar)	Operating Temperature °C	Flow rate at 6 bar with Δp=1 (Nl/min)	Orifice size (mm)	Working port size
	Filtered and lubricated air	8	-5 ÷ +50	790	5,8	G 1/8"

Solenoid - Solenoid - 3/2

Ordering code
8880.32.00.35.V
VOLTAGE
F05=24 V DC
F56=24 V (50-60 Hz)
F57=110 V (50-60 Hz)
F58=220 V (50-60 Hz)
F00=Without coil



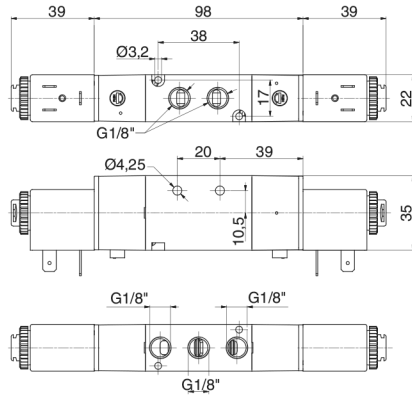
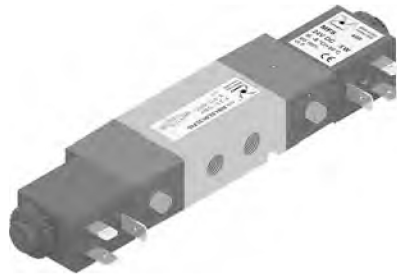
Weight gr. 310
Minimum working pressure 2 bar



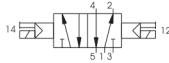
Operating Characteristics	Fluid	Max working pressure (bar)	Operating Temperature °C	Flow rate at 6 bar with Δp=1 (Nl/min)	Orifice size (mm)	Working port size
	Filtered and lubricated air	8	-5 ÷ +50	790	5,8	G 1/8"

Solenoid - Solenoid - 5/2

Ordering code
8880.52.00.35.V
VOLTAGE
F05=24 V DC
F56=24 V (50-60 Hz)
F57=110 V (50-60 Hz)
F58=220 V (50-60 Hz)
F00=Without coil



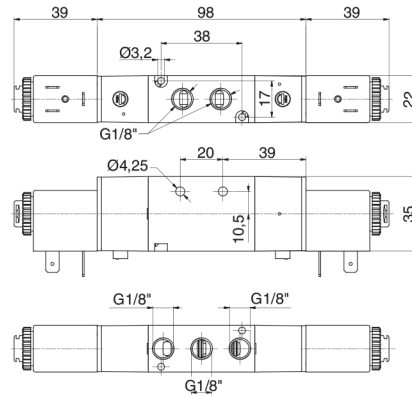
Weight gr. 320
Minimum working pressure 2 bar



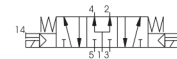
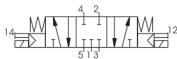
Operating Characteristics	Fluid	Max working pressure (bar)	Operating Temperature °C	Flow rate at 6 bar with Δp=1 (NI/min)	Orifice size (mm)	Working port size
		Filtered and lubricated air	8	-5 ÷ +50	790	5,8

Solenoid - Solenoid - 5/3

Ordering code
8880.53.F.35.V
FUNCTION
F31=Closed centres
F32=Open centres
F33=Pressured centres
VOLTAGE
F05=24 V DC
F56=24 V (50-60 Hz)
F57=110 V (50-60 Hz)
F58=220 V (50-60 Hz)
F00=Without coil



Weight gr. 330
Minimum working pressure 2,5 bar



Operating Characteristics	Fluid	Max working pressure (bar)	Operating Temperature °C	Flow rate at 6 bar with Δp=1 (NI/min)	Orifice size (mm)	Working port size
		Filtered and lubricated air	8	-5 ÷ +50	440	5,8

2