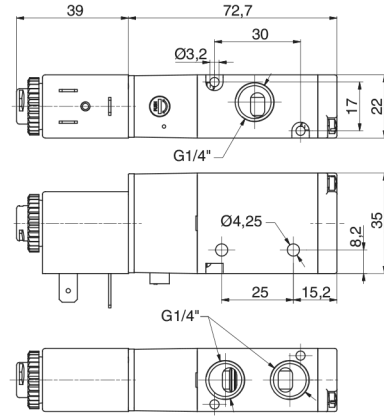
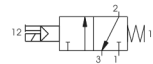
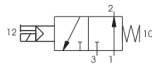


**Solenoid - Spring - 3/2**

Ordering code
<b>8884.32.F.39.V</b> Self-feeding
FUNCTION
F A= Normally Open
C= Normally Closed
VOLTAGE
F05=24 V DC
F56=24 V (50-60 Hz)
F57=110 V (50-60 Hz)
F58=220 V (50-60 Hz)
F00=Without coil



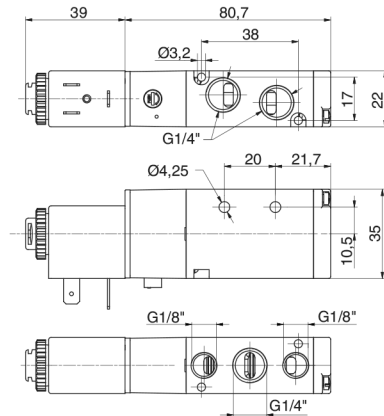
Weight gr. 210  
Minimum working pressure 2 bar



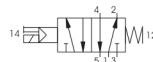
Operating Characteristics	Fluid	Max working pressure (bar)	Operating Temperature °C	Flow rate at 6 bar with Δp=1 (Nl/min)	Orifice size (mm)	Working port size
	Filtered and lubricated air	8	-5 ÷ +50	890	6,5	G 1/4"

**Solenoid - Spring - 5/2**

Ordering code
<b>8884.52.00.39.V</b> Self-feeding
VOLTAGE
F05=24 V DC
F56=24 V (50-60 Hz)
F57=110 V (50-60 Hz)
F58=220 V (50-60 Hz)
F00=Without coil



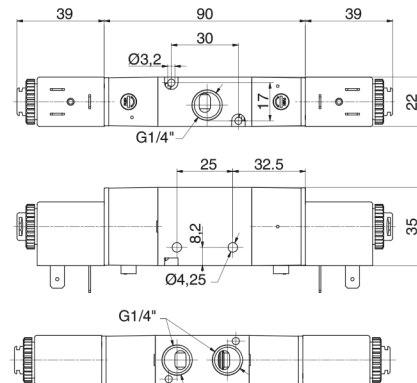
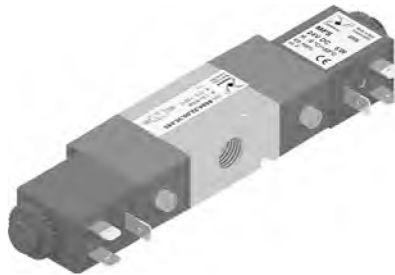
Weight gr. 220  
Minimum working pressure 2 bar



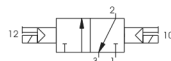
Operating Characteristics	Fluid	Max working pressure (bar)	Operating Temperature °C	Flow rate at 6 bar with Δp=1 (Nl/min)	Orifice size (mm)	Working port size
	Filtered and lubricated air	8	-5 ÷ +50	890	6,5	G 1/4"

**Solenoid - Solenoid - 3/2**

Ordering code
<b>8884.32.00.35.V</b>
VOLTAGE
F05=24 V DC
F56=24 V (50-60 Hz)
F57=110 V (50-60 Hz)
F58=220 V (50-60 Hz)
F00=Without coil



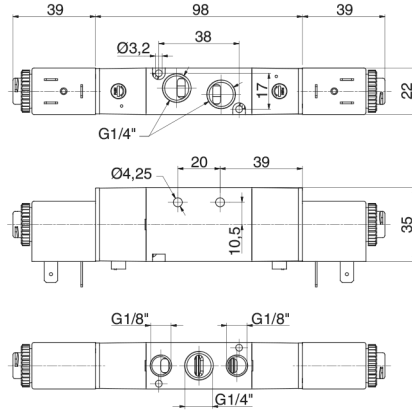
Weight gr. 310  
Minimum working pressure 2 bar



Operating Characteristics	Fluid	Max working pressure (bar)	Operating Temperature °C	Flow rate at 6 bar with Δp=1 (Nl/min)	Orifice size (mm)	Working port size
	Filtered and lubricated air	8	-5 ÷ +50	890	6,5	G 1/4"

**Solenoid - Solenoid - 5/2**

Ordering code
<b>8884.52.00.35.V</b>
VOLTAGE
F05=24 V DC
F56=24 V (50-60 Hz)
F57=110 V (50-60 Hz)
F58=220 V (50-60 Hz)
F00=Without coil



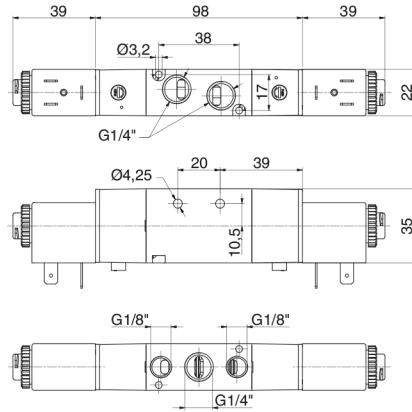
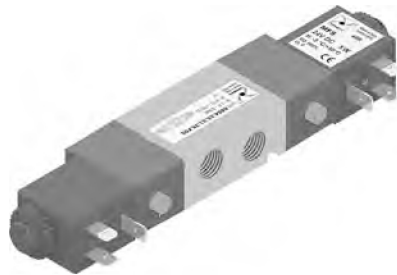
Weight gr. 320  
Minimum working pressure 2 bar



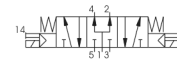
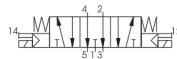
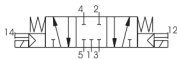
Operating Characteristics	Fluid	Max working pressure (bar)	Operating Temperature °C	Flow rate at 6 bar with Δp=1 (NI/min)	Orifice size (mm)	Working port size
		Filtered and lubricated air	8	-5 ÷ +50	890	6,5

**Solenoid - Solenoid - 5/3**

Ordering code
<b>8884.53.F.35.V</b>
FUNCTION
F31=Closed centres
F32=Open centres
F33=Pressured centres
VOLTAGE
F05=24 V DC
F56=24 V (50-60 Hz)
F57=110 V (50-60 Hz)
F58=220 V (50-60 Hz)
F00=Without coil

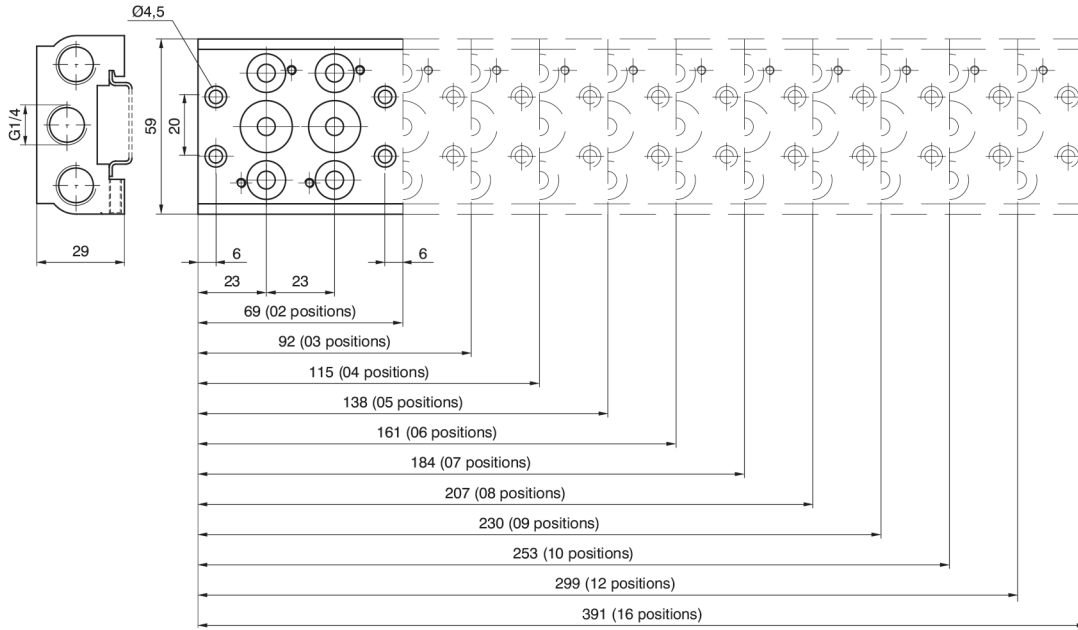


Weight gr. 330  
Minimum working pressure 2,5 bar



Operating Characteristics	Fluid	Max working pressure (bar)	Operating Temperature °C	Flow rate at 6 bar with Δp=1 (NI/min)	Orifice size (mm)	Working port size
		Filtered and lubricated air	8	-5 ÷ +50	540	6,5

**Manifold (Valves 5/2 - 5/3)**



**Ordering code**

**888.P**

**N. POSITIONS**

02=nr. 2 pos. (270 gr)
03=nr. 3 pos. (335 gr)
04=nr. 4 pos. (400 gr)
05=nr. 5 pos. (465 gr)
06=nr. 6 pos. (530 gr)
07=nr. 7 pos. (595 gr)
08=nr. 8 pos. (660 gr)
09=nr. 9 pos. (725 gr)
10=nr. 10 pos. (790 gr)
12=nr. 12 pos. (920 gr)
16=nr. 16 pos. (1180 gr)

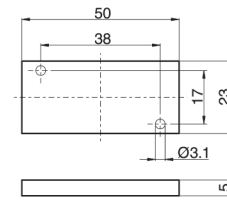
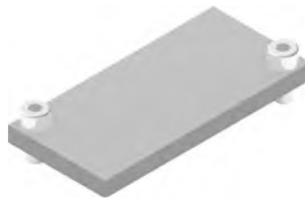


Manifold supplied complete with Seals, Valve fixing screws and DIN rail fixing pin

**Closing plate**

Ordering code

**888.00**



Weight gr. 18

Closing plate supplied complete with 2 fixing screws to the manifold and 2 fixing screws to the multi-polar base