

MUST series

3/2 WAY N.C. PLUNGER TYPE SOLENOID VALVE



Specification

- IP65 waterproof coil.
- Continuous cycle, 100% ED.
- Ex coil is EExm II T4 or EEx ia II C T6 PTB approval.

Power consumption

Coil power	2	3	2E	4	5	3E
AC(VA)	6.9	8.0	4.8	15.4	23.0	9.2
DC(W)	6.2	6.8	5.2	15.0	18.5	10.0

Dimensions

Model	MUST			
Code Dimension (mm)	03	06	08	10
A	18.0	23.0	31.0	31.0
B	M4	M4	M5	M5
C	50.0	50.0	53.0	53.0
D	7.0	8.0	11.5	11.5
F	22.0	22.0	29.0	29.0
H	56.5	62.0	85.0	85.0
L	25.0	30.0	40.0	40.0
N.W.(Kg)	0.23	0.28	0.52	0.60

Order example

※ Explosion-Proof (2E/3E) coil with LED (D) plug is not applicable.

MUST-06-2-N-C-5-D-AC110

MODEL

FIG.

SEAL MAT'L
N: NBR
V: VITON

COIL
2, 3, 2E,
4, 5, 3E
(※)

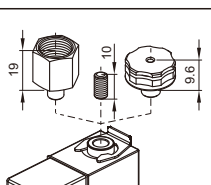
PLUG
□: DIN
D: LED
G: 1/2" NPT
Y: 2 wires

VOLTAGE
AC220V(50/60)Hz
AC110V(50/60)Hz
DC24V

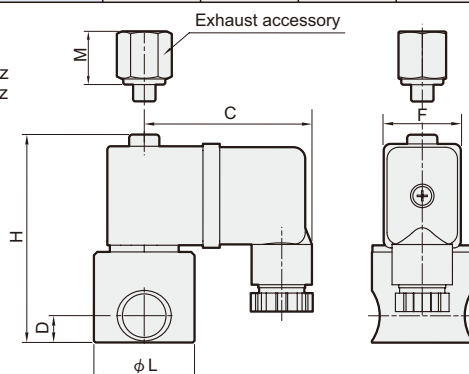
CODE
03: 1/8
06: 1/4
08: 1/4
10: 3/8

EXHAUST ACCESSORY

U	Without
F	PS female
C	Dust-proof & silencer cap
P	1/8"PS male

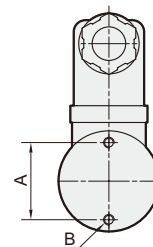


* C means with dust-proof and silencer cap. Material:PA.

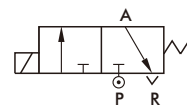


Specification

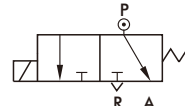
Model MUST: 303 S.S. Bar body, 3/2 way N.C., N.O., for water, air, gas, light oil, vacuum (10 ⁻¹ torr Max.).																								
Code (PIPE) G	Fig no.	Seal mat'l	Coil	Orifice(mm)		Temp. °C				Max. O.P.D. bar (Min. 0 bar)						Cv								
				Body	Top	Coil 2		Coil 3/2E		Coil 2		Coil 3		Coil 2E										
						N	V	N	V	1	2	1	2	1	2									
03(1/8) 06(1/4)	1	N V	2 3 2E	0.8	1.0	-5	-10	-5	-10	10	10	14	10	10	0.02									
	2			1.0						7		10				10	13	7	10	0.03				
	3			1.2						6		7				6	7	6	7	0.05				
	4			1.6						4		7				4	7	4	7	0.09				
	5			2.0						80		90				80	120	3	4	10	3	7	0.14	
	6			2.4						2		5				3	7	2	5	0.18				
	7			3.0						1		5				2	7	1	5	0.23				
08(1/4) 10(3/8)	1	N V	4 5 3E	1.3	1.6	-5	-10	-5	-10	10	13	16	10	13	0.07									
	2			1.6						7		13				13	16	7	13	0.10				
	3			2.0						5		10				5	10	5	10	0.15				
	4			2.5						80		145				80	145	4	10	7	13	4	10	0.20
	5			3.0						2		7				3	10	2	7	3	10	2	7	0.31
	6			4.0						2		7				3	10	2	7	3	10	2	7	0.54
	7			5.0						1		5				2	7	1	5	2	7	1	5	0.80



3/2 Function 1



3/2 Function 2



※ O.P.D. of function 1, 2 refer to specification table.