

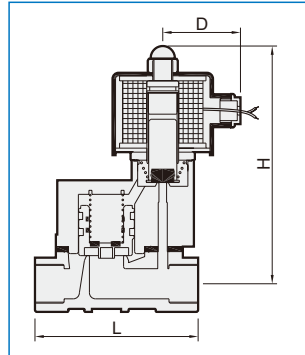
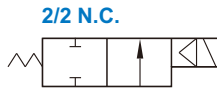
MUPS series



2/2 WAY N.C. PISTON TYPE SOLENOID VALVE

mindman

2-WAY normally closed / normally open solenoid valve.
Available fluid: Water, air, steam & light oil.



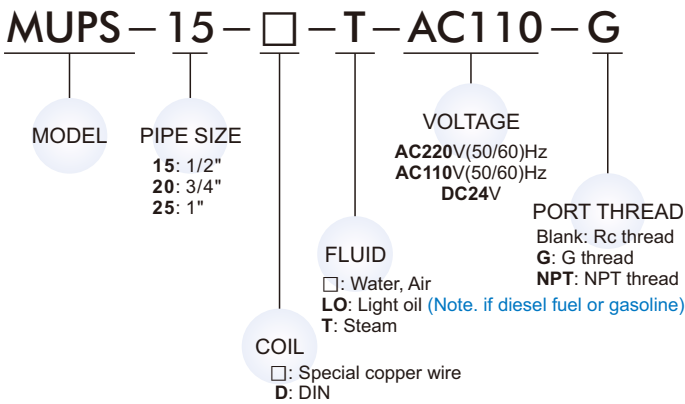
Specification

- MUPS series is multiplex-drive, piston guide, conductive normal close.
- Other voltage of AC/DC available when required.
- The standard product fluid temperature is 185°C (PTFE).
- Applicable for working in high frequency movement location.
- AC Voltage tolerance: $\pm 10\%$
DC Voltage tolerance: $\pm 1\%$.

Material

Parts name	Material
Body	Forge brass
Coil	Special copper wire (H)
Piston	Brass
Tube	Stainless steel
Spring	Stainless steel
Core	Stainless steel
Plug	PTFE
Bonne/Nut	PTFE

Order example



Caution

- Pipes must be washed neat and clean before fitted.
- A Y-STRAINER has to be installed in the front of solenoid valve, that is best for long life.

Not for fluid of

- Liquid when heat, solid when cool.
- Corrosive fluid.
- Viscosity over 20 cst.
- Temperature over 185°C.

Model	DIN	Pipe size	Cv	Orifice (mm)	Fluid temp	Max. operating pressure diff. MPa				Dimensions(mm)			Weight (kg)
						Water	Air	Steam	Light oil	L	H	D	
MUPS-15	●	Rc1/2"	4	17	-5~+185°C	0.05~1	0.05~1	0.05~1	0.05~1	82	120	48	1.4
MUPS-20	●	Rc3/4"	6	17	-5~+185°C	0.05~1	0.05~1	0.05~1	0.05~1	82	120	48	1.5
MUPS-25	●	Rc1"	12	22	-5~+185°C	0.05~1	0.05~1	0.05~1	0.05~1	100	134	48	1.8

※ The pressure ratings indicated above are based on AC110V/220V. The maximum pressure may vary in case on DC/AC24V.