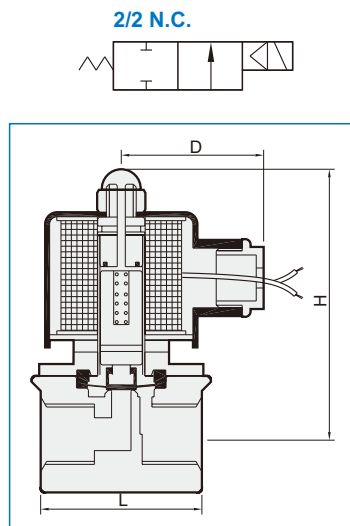


2/2 WAY N.C. DIAPHRAGM TYPE SOLENOID VALVE

Available fluid: Hydrochloric acid, sulfuric acid



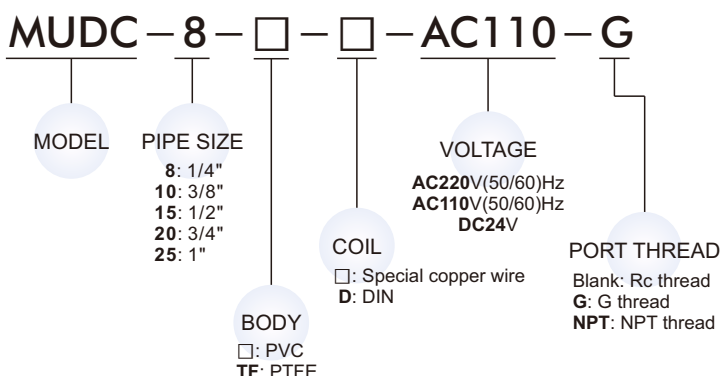
Specification

- MUDC series is direct-drive, conductive to diaphragm, normal close.
- Small size & easy assembly.
- MUDC can be operated directly without pressure.
- Other voltage of AC/DC available when required.
- AC Voltage tolerance: $\pm 10\%$.
- DC Voltage tolerance: $\pm 1\%$.

Material

| Parts name | MUDC | MUDC-TF |
|------------|-------------------------|---------|
| Body | PVC | PTFE |
| Coil | Special copper wire (H) | |
| Core | Stainless steel | |
| Tube | Stainless steel | |
| Spring | Stainless steel | |
| Washer | Synthetic rubber | |
| Diaphragm | PTFE | |

Order example



Not for fluid of

- Liquid when heat, solid when cool.
- Prohibition applicable for high frequency movement.
- Viscosity over 20 cst.
- Temperature over 80°C.

Caution

- Pipes must be washed neat and clean before fitted.
- A Y-STRAINER has to be installed in the front of solenoid valve, that is best for long life.

| Model | DIN | Pipe size | Cv | Orifice (mm) | Fluid temp | Max. operating pressure diff. MPa | | Dimensions(mm) | | | Weight (kg) |
|------------|-----|-----------|------|--------------|------------|-----------------------------------|--------|----------------|-----|----|-------------|
| | | | | | | Water | Air | L | H | D | |
| MUDC-8 | ● | Rc1/4" | 0.28 | 6.5 | -5~+80°C | 0~0.1 | 0~0.1 | 54 | 103 | 48 | 0.6 |
| MUDC-10 | ● | Rc3/8" | 0.28 | 6.5 | -5~+80°C | 0~0.1 | 0~0.1 | 54 | 103 | 48 | 0.6 |
| MUDC-15 | ● | Rc1/2" | 0.28 | 6.5 | -5~+80°C | 0~0.1 | 0~0.1 | 54 | 103 | 48 | 0.6 |
| MUDC-8-TF | ● | Rc1/4" | 0.28 | 6.5 | -5~+80°C | 0~0.1 | 0~0.1 | 51 | 90 | 48 | 0.576 |
| MUDC-10-TF | ● | Rc3/8" | 0.28 | 6.5 | -5~+80°C | 0~0.1 | 0~0.1 | 51 | 90 | 48 | 0.567 |
| MUDC-15-TF | ● | Rc1/2" | 0.28 | 6.5 | -5~+80°C | 0~0.1 | 0~0.1 | 54 | 103 | 48 | 0.65 |
| MUDC-20-TF | | Rc3/4" | 4 | 13 | -5~+80°C | 0~0.05 | 0~0.05 | 71 | 115 | 54 | 1.8 |
| MUDC-25-TF | | Rc1" | 4 | 13 | -5~+80°C | 0~0.05 | 0~0.05 | 71 | 115 | 54 | 1.8 |

※ The pressure ratings indicated above are based on AC110V/220V. The maximum pressure may vary in case on DC/AC24V.