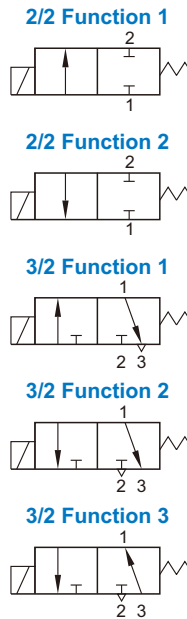
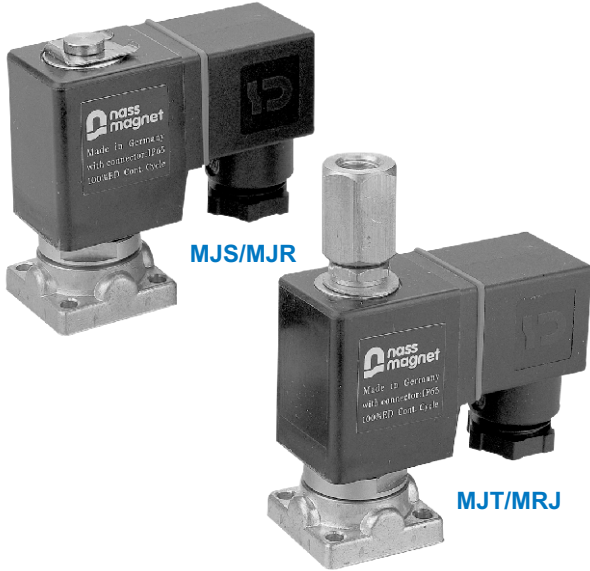


# MJ\* / MRJ series

2/2, 3/2 WAY N.C., N.O. PLUNGER TYPE ACTUATOR VALVE



mindman



## Specification

- IP65 100% ED coil
- PTB approval EExmII T4 coil
- For air, water, gas, oil, vacuum ( $10^{-3}$  torr).

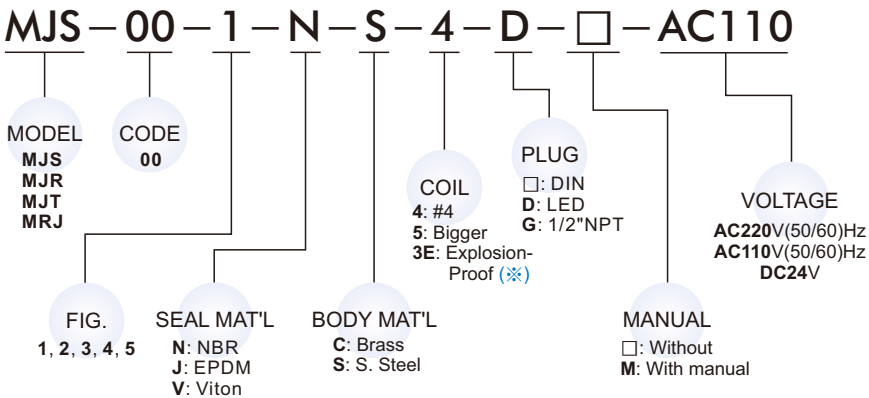
## Power consumption

Coil power	4	5	3E
AC(VA)	17.6/15.4	33/23	9.2
DC(W)	15	18.5	10

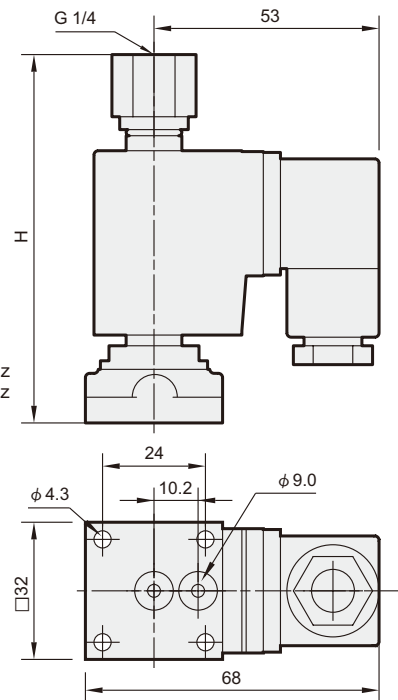
## Dimensions

Model	MJS/MJR	MJT/MRJ
Code Dimension (mm)	00	
H	67	86
N.W.(Kg)	0.31	0.32

## Order example



※ Explosion-Proof (3E) coil with LED (D) plug is not applicable.



Specification

Model **MJS**: Brass body, 2/2 way N.C. actuator valve.

Code	Fig. no.	Mat'l		Coil	Orifice mm	Temp. 5~°C						Working press. (0~ bar)						CV
		Seal	Body			Coil 4/3E			Coil 5			Coil 4		Coil 5		Coil 3E		
						N	J	V	N	J	V	Function 1						
												AC	DC	AC	DC	AC	DC	
00	1	N	C S*	4 5 3E	1.6	80	150	90	150	30	20	40	30	20	14	0.10		
	2.0				20					14	30	20	14	10	0.15			
	2.2				14					10	20	14	10	7	0.20			
	2.5				10					7	14	10	7	5	0.31			
	3.0				7					5	10	7	5	4	0.42			

Model **MJR**: Brass body, 2/2 way N.C. round trip actuator valve.

Code	Fig. no.	Mat'l		Coil	Orifice mm	Temp. 5~°C						Working press. (0~ bar)						CV	
		Seal	Body			Coil 4/3E			Coil 5			Coil 4		Coil 5		Coil 3E			
						N	J	V	N	J	V	1	2	1	2	1	2		
												AC	DC	A/DC	AC	DC	A/DC		AC
00	1	N	C S*	4 5 3E	1.6	80	150	90	150	30	20	10	40	30	14	20	14	7	0.10
	2.0				20					14	7	30	20	10	14	10	5	0.15	
	2.4				14					10	5	20	14	7	10	7	4	0.20	
	3.0				10					7	4	14	10	5	7	5	3	0.31	
	3.5				7					5	2	10	7	4	5	4	2	0.42	

Model **MJT**: Brass body, 3/2 way N.C. actuator valve.

Code	Fig. no.	Mat'l		Coil	Orifice mm		Temp. 5~°C						Working press. (0~ bar)				CV		
		Seal	Body		Body	Top	Coil 4/3E			Coil 5			Coil 4		Coil 5			Coil 3E	
							N	J	V	N	J	V	1	2	1	2		1	2
													10	16	14	20		7	10
00	1	N	C S*	4 5 3E	1.6	1.6	80	150	90	150	10	16	14	20	7	10	0.10		
	2.0				2.0	7					10	5	5	0.15					
	2.4				2.0	5					13	7	16	4	7	0.20			
	3.0				2.2	4					10	5	13	3	5	0.31			
	3.5				2.5	2					7	4	10	2	3	0.42			

Model **MRJ**: Brass body, 3/2 way N.O. actuator valve.

Code	Fig. no.	Mat'l		Coil	Orifice mm		Temp. 5~°C						Working press. (0~ bar)			CV
		Seal	Body		Body	Top	Coil 4/3E			Coil 5			Coil 4	Coil 5	Coil 3E	
							N	J	V	N	J	V	Function 3			
													7	10	3	
00	1	N	C S*	4 5 3E	2.0	1.6	80	150	90	150	7	10	3	0.10		
	2.4				2.0	5					7	2	0.15			
	2.4				2.2	3					5	1	0.17			
	3.0				2.5	1					3	-	0.20			
	3.5				3.0	-					1	-	0.31			

\* S.S. body is available.