

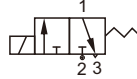


Available fluid: Air, gas, water, vacuum, oil etc.

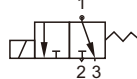
Specification

- IP65 waterproof coil
- Continuous cycle, 100% ED
- Ex coil is EExm II T4 or EEx ia II C T6 PTB approval.
- Ambient temp.: -15 ~ 50 °C
- Voltage tolerance: ± 8%
- Installing position is free. (You'd better put the coil upright.)
- The Max. Orifice for seal **J**=5.0mm, **T** = 4.0mm, **R**=2.5mm, **Z**=5.0mm.

3/2 Function 1



3/2 Function 2



Order example

MCT - 06 - 2 - N - U - 5 - D - AC110

MODEL

FIG.
1, 2, 3, 4, 5
6, 7, 8, 9

CODE
06: 1/4"
10: 3/8"
15: 1/2"
20: 3/4"

SEAL MAT'L
(※1)
N: NBR
J: EPDM
V: VITON
T: TEFLON
R: RUBY
Z: FFKM

EXHAUST ACCESSORIES

U	—	Without
F		PS female
C		Dust-proof & silencer cap
P		1/8"PS male

PLUG
□: DIN
D: LED
G: 1/2" NPT
O: None

COIL
4: #4
5: Bigger
3E: Explosion-Proof (※2)

VOLTAGE
AC220V(50/60)Hz
AC110V(50/60)Hz
DC24V

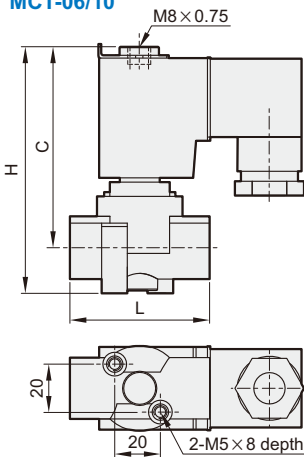
Weight

Unit: kg

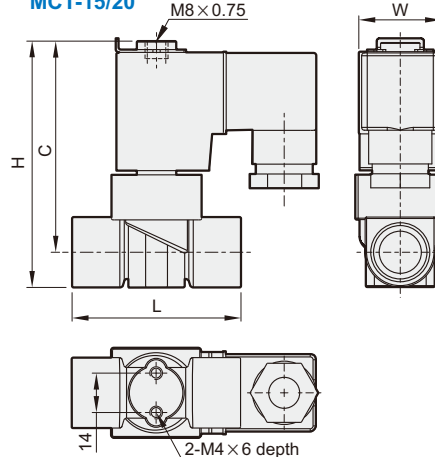
Model	MCT		
Coil Code	4	5	3E
06	0.4	0.48	0.71
10	0.38	0.46	0.69
15	0.43	0.51	0.74
20	0.53	0.62	0.85
Coil power			
AC (VA)	19.5	23.0	9.2
DC (W)	15.0	18.5	10.0

- ※1. When the seal material is (T) TEFLON or (R) RUBY, the valve has slight leakage.
 ※2. Explosion-Proof (3E) coil with LED (D) plug is not applicable.

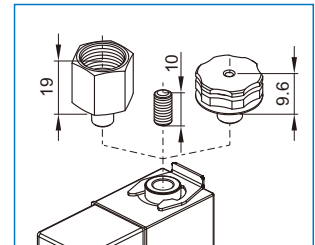
MCT-06/10



MCT-15/20



Exhaust accessories



Dimensions

Code Dimension(mm)	06	10	15	20
L	49	56	60	
H	86	87.5	91	
C	71	70	73	
W	30 (36)			

() : Dimension for 5, 3E coil.

Model MCT: Forged brass body, 3/2 way N.C.

Code (PIPE) G	Fig. no.	Mat'l		Coil	Orifice mm		Temp. °C			Max. O.P.D. bar (min. 0 bar)						Cv	
		Seal	Body		Body	Top	Coil 4			Coil 5			Coil 3E				
							AC / DC										
							Function										
06(1/4) 10(3/8) 15(1/2) 20(3/4)	1	N, V	C	4, 5, 3E	1.6	1.6	80	80	95	1	2	1	2	1	2	0.10 0.15 0.20 0.31 0.51 0.80	
	2				2.0	7				16	14	20	7	10			
	3				2.5	5				13	7	16	4	7			
	4				3.0	4				13	5	16	3	7			
	5				4.0	2				10	4	13	2	5			
	6				5.0	1				10	2	13	1	5			