

Available fluid: Air, gas, water, vacuum, oil etc.

Specification

- IP65 waterproof coil
- Continuous cycle, 100% ED
- Ex coil is EExm II T4 or EEx ia II C T6 PTB approval.
- Ambient temp.: -15 ~ 50 °C
- Voltage tolerance: ± 8%
- Installing position is free. (You'd better put the coil upright.)

Power consumption

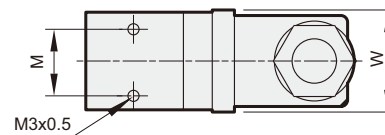
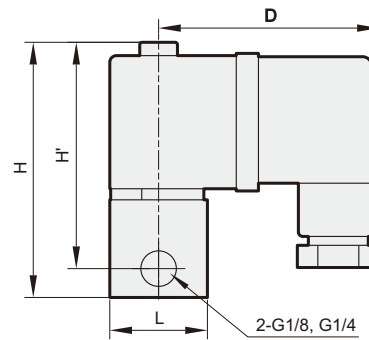
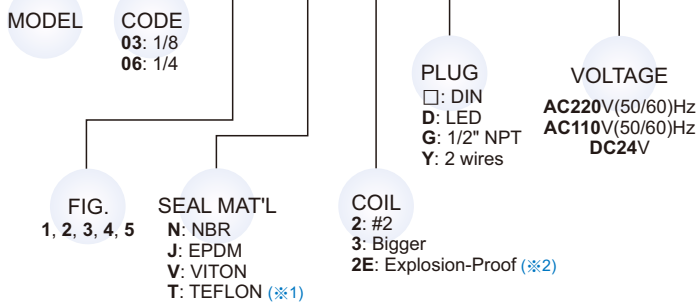
Coil power	2	3	2E
AC 50/60Hz(VA)	8.5/6.9	8/6	4.8
DC(W)	5.1	6.8	5.2

Dimensions

Model	MBS	
Code	03	06
Dimension (mm)		
D	50	50
H	57	61
H'	51	51
L	□22	33
M	15	11.2
W	23	
N.W.(Kg)	0.15	

Order example

MBS-03-2-N-2-D-AC110



※1. When the seal material is (T) TEFLON, the valve has slight leakage.

※2. Explosion-Proof (2E) coil with LED (D) plug is not applicable.

Model MBS: Brass body, mini 2/2 way N.C.																										
Code (PIPE) G	Fig. no.	Mat'l		Coil	Orifice mm	Temp. °C								Max. O.P.D. bar (Min. 0 bar)						Cv	VAC. torr					
		Seal	Body			Coil 2				Coil 3/2E				Coil 2		Coil 3		Coil 2E								
						N	J	V	T	N	J	V	T	AC	DC	AC	DC	AC	DC							
03(1/8) 06(1/4)	1	N	C	2, 3, 2E	1.0																					
	2	J			-5	-10	-5	-10	-10																	
	3	V																								
	4	T																								
	5																									