

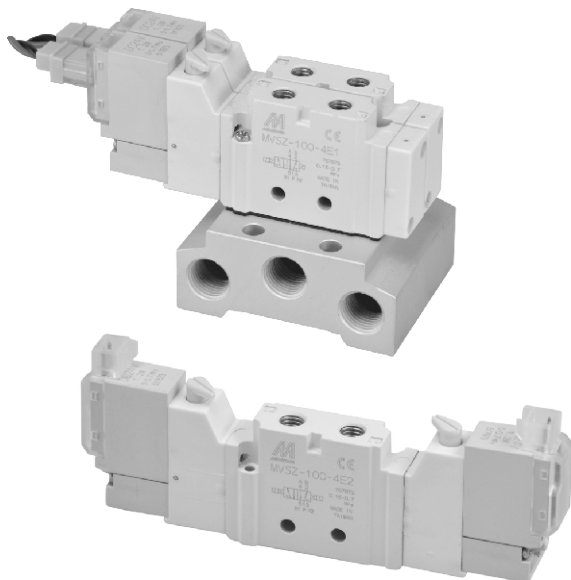
MVSZ-100 series

SOLENOID VALVE



Mindman

Specification



Model	4E1	4E2
Bore No.	M5	
Port size	M5×0.8	
No. of port	5	
No. of position	2	
Medium	Air	
Operating pressure range	0.15~0.7 MPa	
Proof pressure	1 MPa	
Effective orifice	0.26 Cv	
Response time	17 ms	
Ambient temperature	+5~+50℃	
Voltage	AC110V, AC220V(50/60)Hz, DC6/12/24V	
Power consumption	AC=1.6 / 2.5VA, DC=0.55W (LED indicator)	
Available voltage range	±10%	
Insulation class	B class	
Weight	40 g	53 g

Order example

MVSZ - 100 - 4E1 - AC110 - LJ1

MODEL

BODY WIDTH

VOLTAGE

AC110V(50/60)Hz
AC220V(50/60)Hz
DC6V
DC12V
DC24V

PLUG TYPE

LJ: Plug on side
(※1)



LR: Plug on side
(※2)



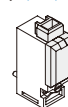
WIRE LENGTH

Blank: 500mm
1: 1000mm
2: 2000mm
3: 3000mm

4: 4way(5port)

E1: Single Solenoid
E2: Double Solenoid

SR: Plug on top (※2)



※1. Connector with flying leads JPC type.

※2. Connector with flying leads RMH type. (Original)

Order example of manifold

MVSZ - 100 - 5B3 - G

MODEL

MANIFOLD

5B: 5 port (for body ported type)

MANIFOLD NUMBER
2, 3, 4...

PORT THREAD
Blank: Rc thread
G: G thread
NPT: NPT thread

Order example of wire

※ Use the same wire with MVDY.

MVDY - 100 - WA2J2

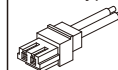
MODEL

VOLTAGE

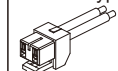
A2: AC220V(50/60)Hz
A1: AC110V(50/60)Hz
D: DC24V/12V/6V

WIRE

J: JPC type



R: RMH type



WIRE LENGTH

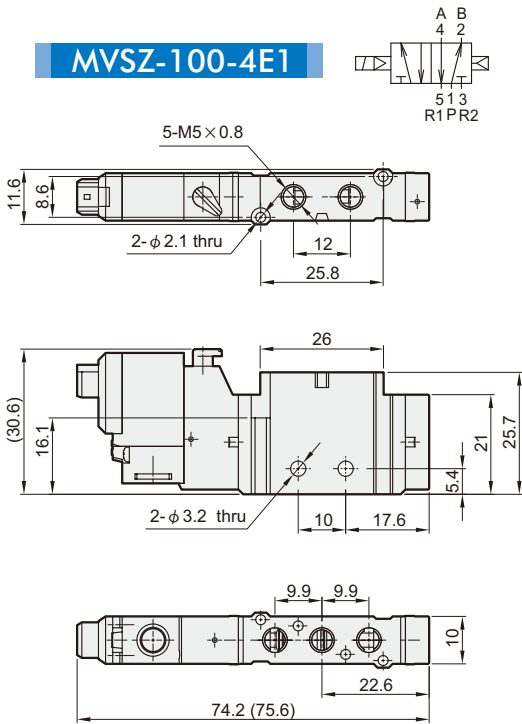
Blank: 500mm
1: 1000mm
2: 2000mm
3: 3000mm

MVSZ-100 Dimensions / Manifold

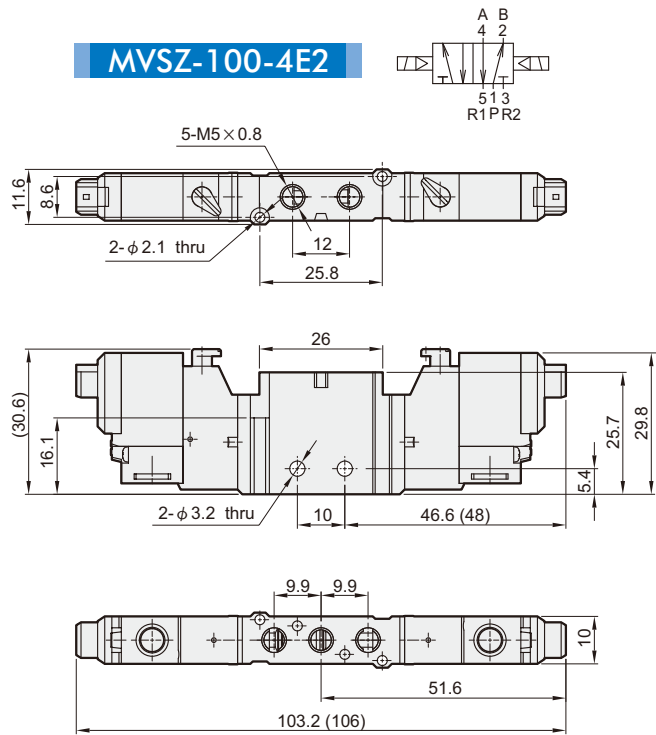
SOLENOID VALVE



MVSZ-100-4E1



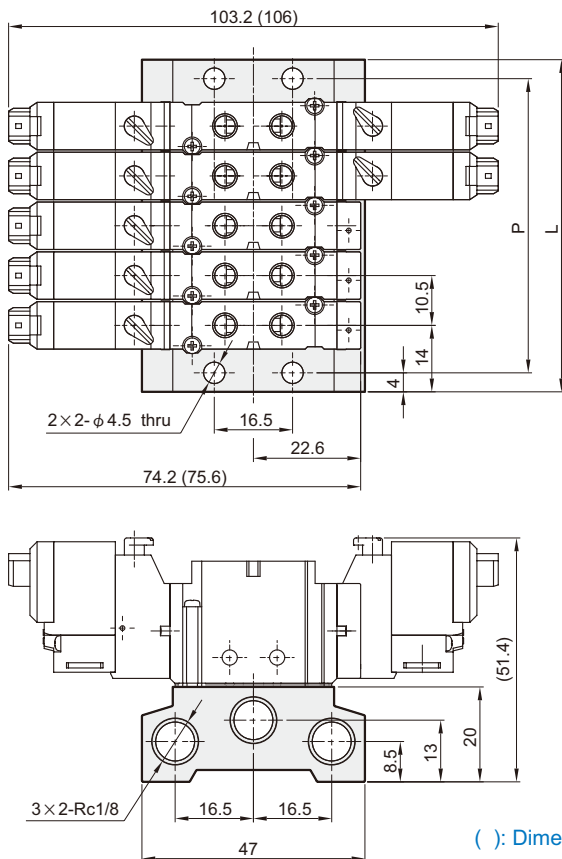
MVSZ-100-4E2



Manifold of solenoid valve

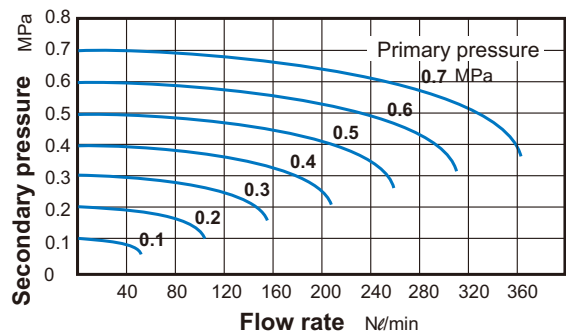
MVSZ-100-5B*

5 port (for body ported type)



No. of stations	P	L
2	30.5	38.5
3	41	49
4	51.5	59.5
5	62	70
6	72.5	80.5
7	83	91
8	93.5	101.5
9	104	112
10	114.5	122.5

Flow features



() : Dimension for LJ plug type.