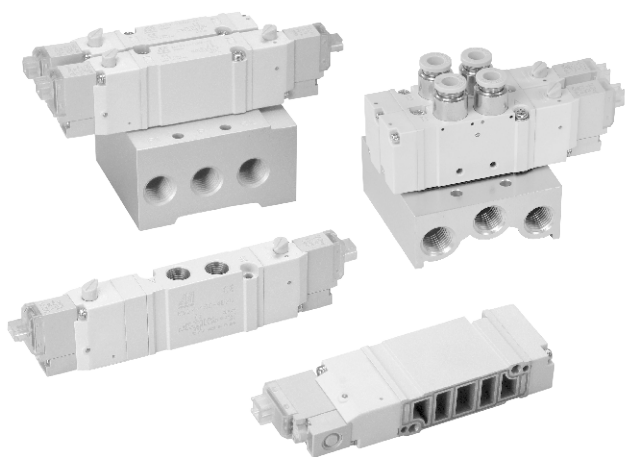


# MVSY-156 series

## SOLENOID VALVE



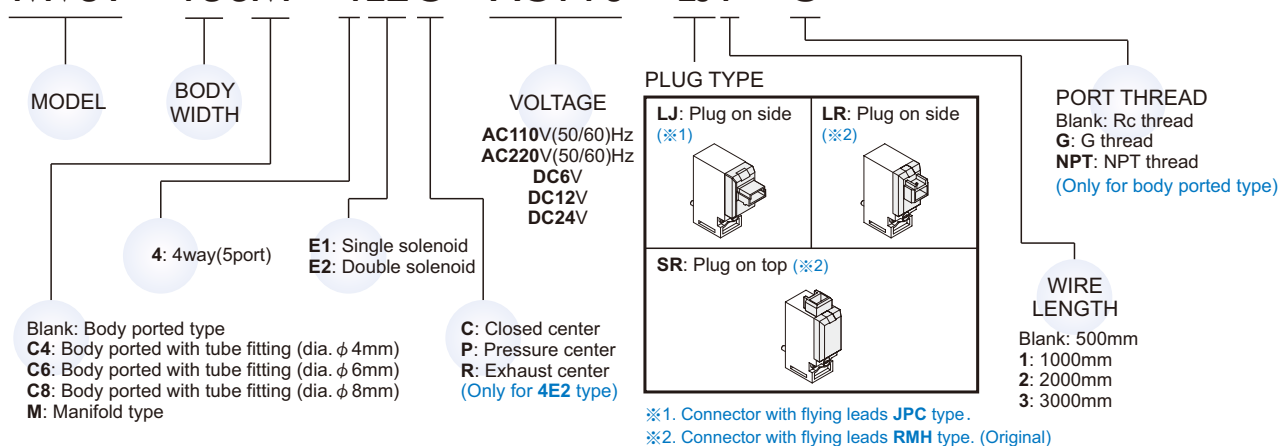
### Specification

Model	4E1	4E2	4E2C.P.R
Bore No.	6A		
Port size	Rc1/8		
No. of port	5		
No. of position	2	3	
Medium	Air		
Operating pressure range	0.15~0.7 MPa		0.2~0.7 MPa
Proof pressure	1 MPa		
Effective orifice	Body ported	11 mm <sup>2</sup>	9.5 / 14.6 / 9.5 mm <sup>2</sup>
	Manifold	10 mm <sup>2</sup>	7.5 / 13 / 8 mm <sup>2</sup>
Response time	19 ms		20 ms
Ambient temperature	+5~+50°C		
Voltage	AC110V, AC220V (50/60)Hz, DC6/12/24V		
Power consumption	AC=1.6 / 2.5VA, DC6/12V=1.2W, DC24V=0.55W		
Available voltage range	± 10%		
Insulation class	B class		
Weight	68g	87g	96g

※ LED indicator as standard.

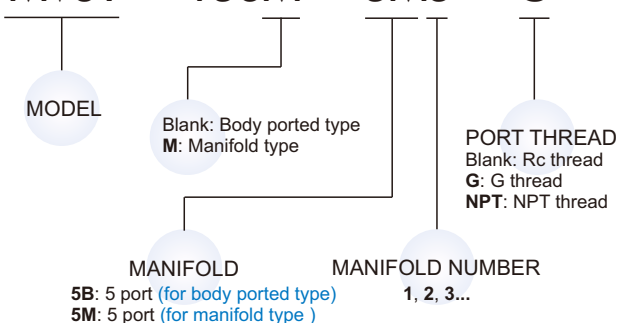
### Order example of valve

**MVSY – 156M – 4E2C – AC110 – LJ1 – G**



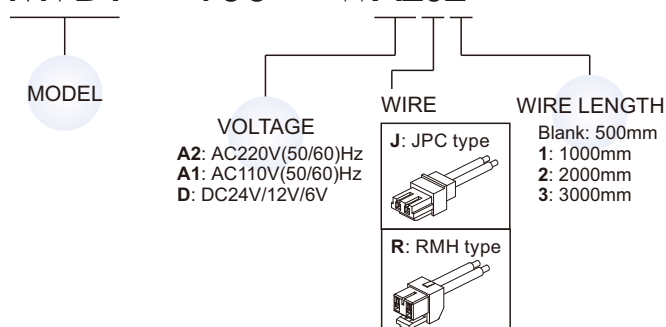
### Order example of manifold

**MVSY – 156M – 5M3 – G**



### Order example of wire

**MVDY – 100 – WA2J2**

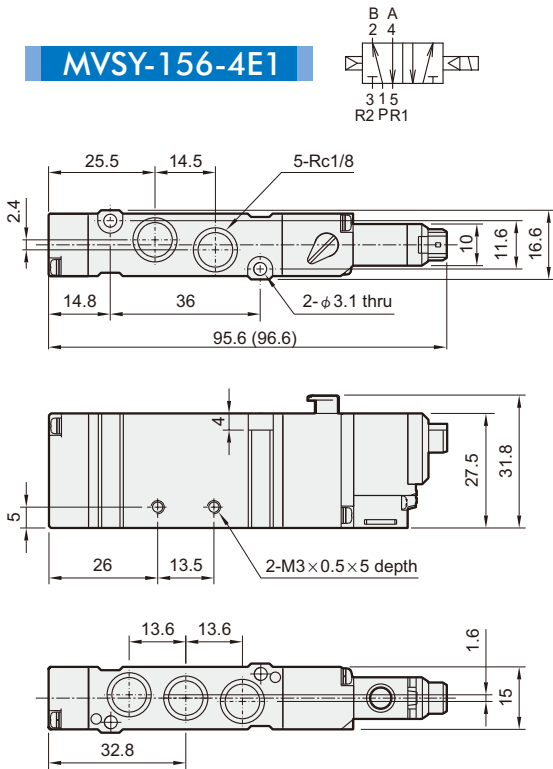


# MVSY-156 Dimensions

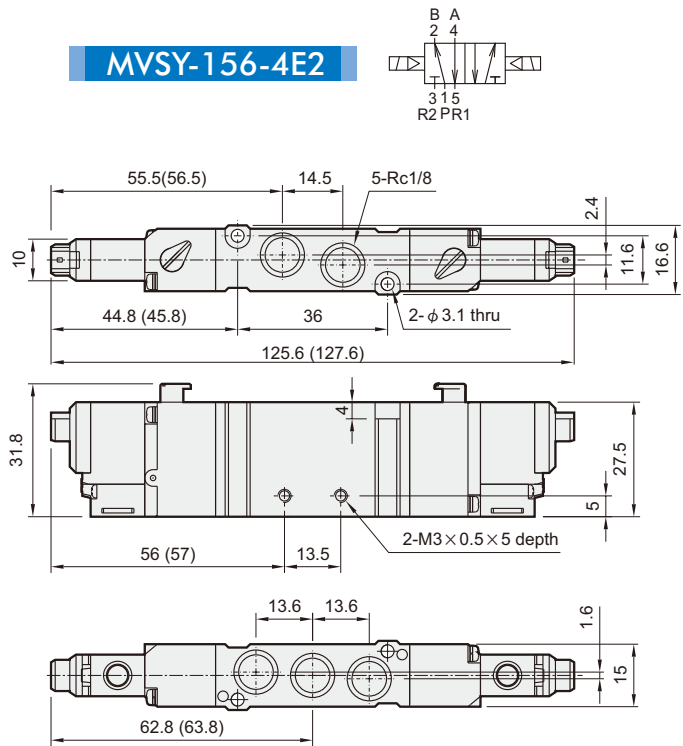
## SOLENOID VALVE



**MVSY-156-4E1**



**MVSY-156-4E2**

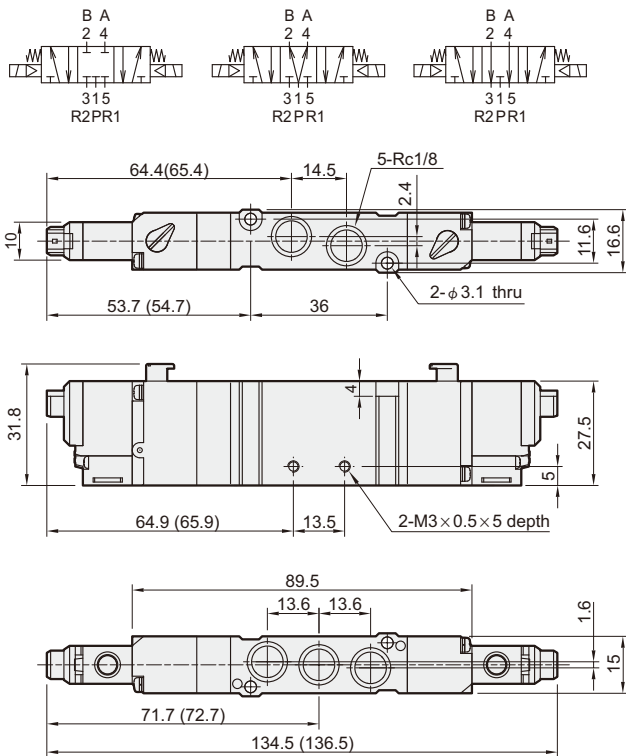


**MVSY-156-4E2C.PR**

**MVSY-156-4E2C**

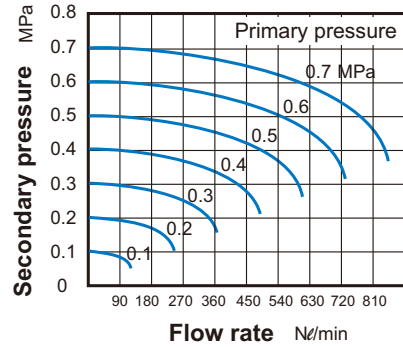
**MVSY-156-4E2P**

**MVSY-156-4E2R**

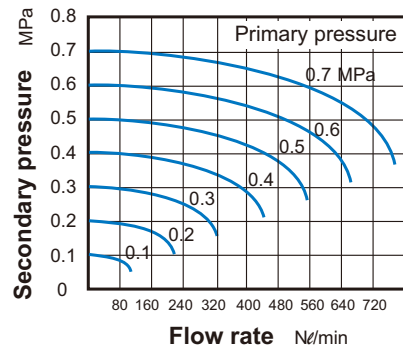


## Flow features

**MVSY-156-4E1/4E2**



**MVSY-156M-4E1/4E2**



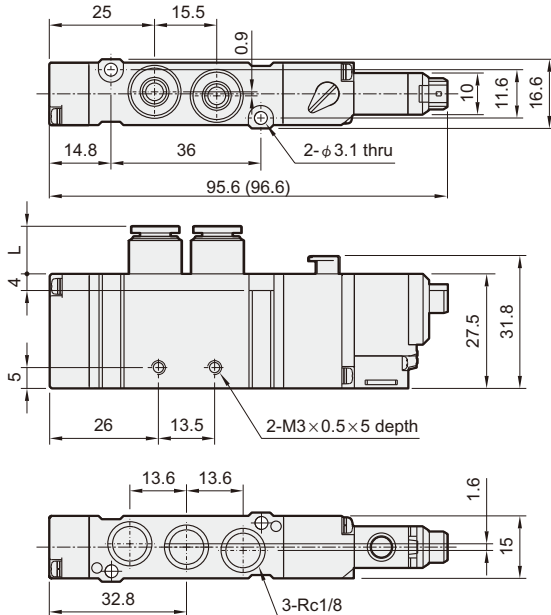
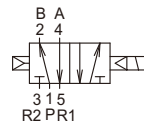
( ): Dimension for LJ plug type.

# MVSY-156 Dimensions

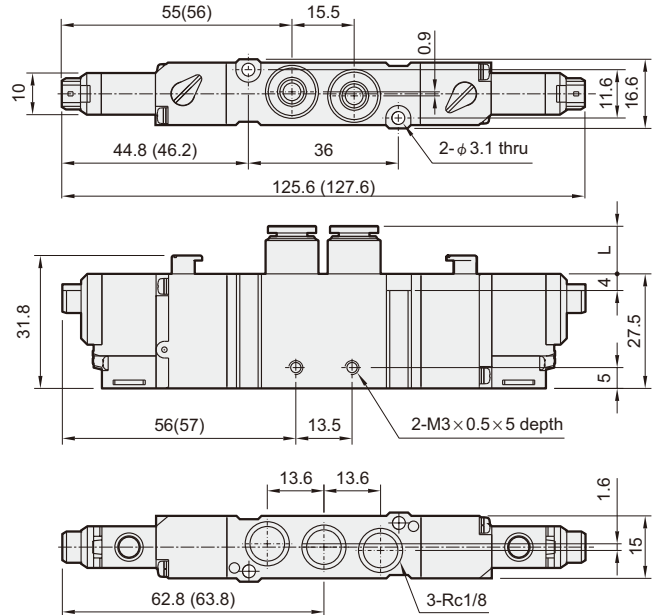
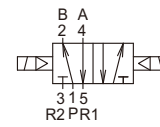
## SOLENOID VALVE



### MVSY-156C\*-4E1



### MVSY-156C\*-4E2

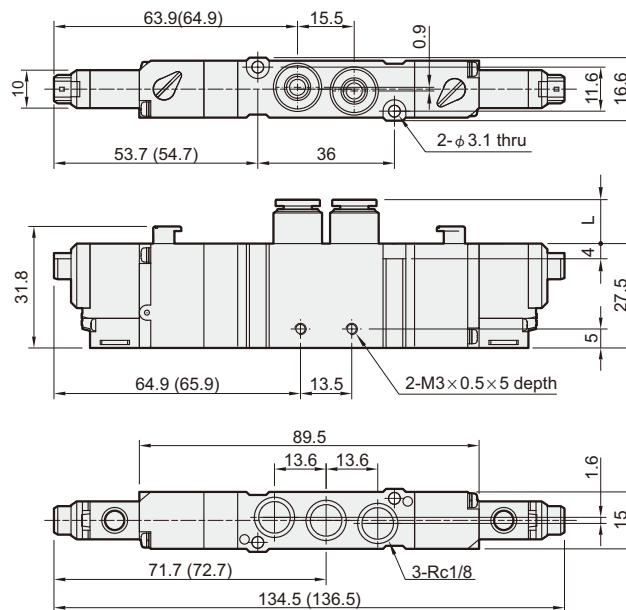
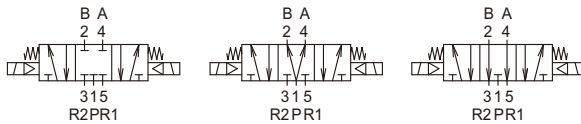


### MVSY-156C\*-4E2C.PR

#### MVSY-156-4E2C

#### MVSY-156-4E2P

#### MVSY-156-4E2R



Code Port size	L
C4	13
C6	14
C8	18.5

( ): Dimension for LJ plug type.

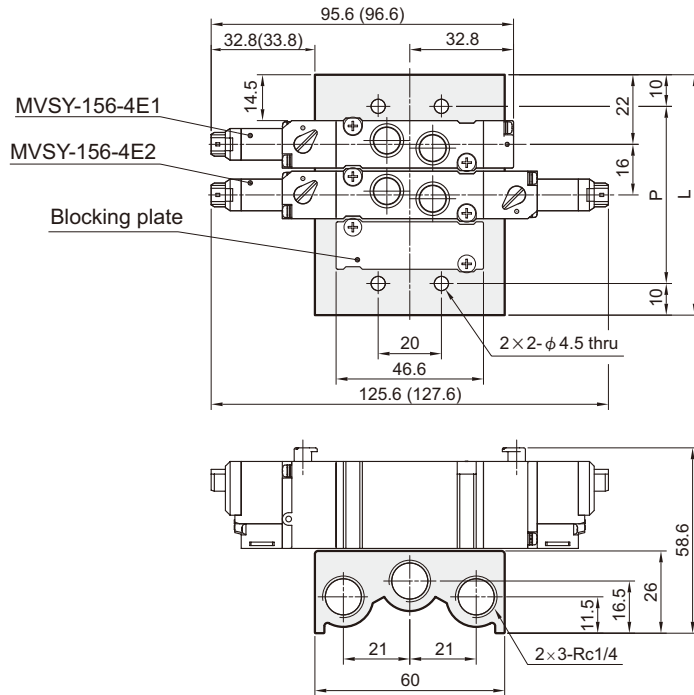
# MVSY-156 Manifold

## SOLENOID VALVE



### MVSY-156-5B\*

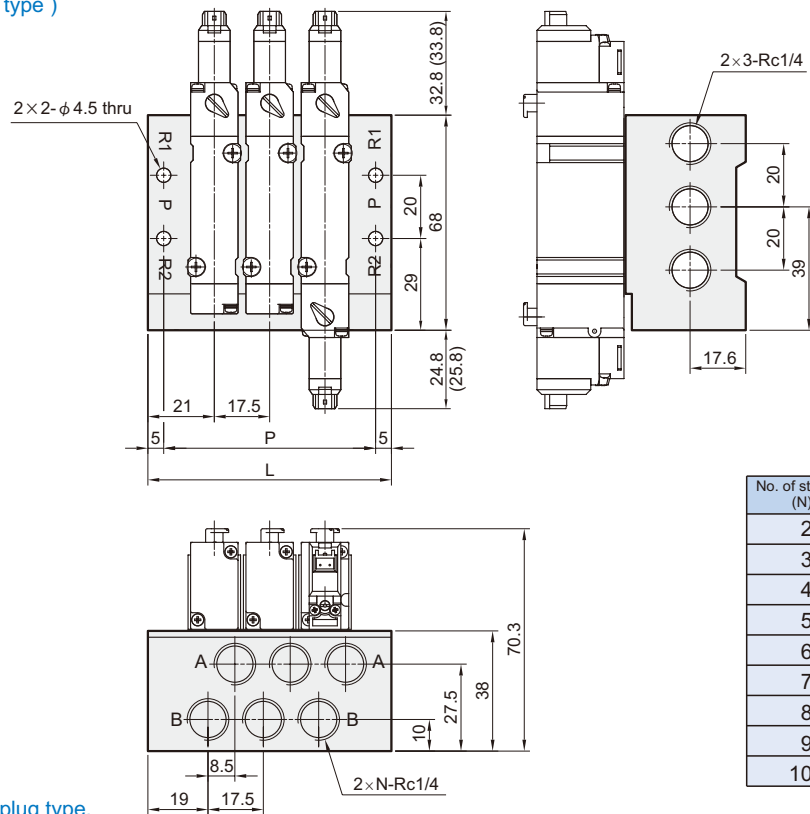
5 port (for body ported type)



No. of stations	P	L
2	40	60
3	56	76
4	72	92
5	88	108
6	104	124
7	120	140
8	136	156
9	152	172
10	168	188

### MVSY-156M-5M\*

5 port (for manifold type)



No. of stations (N)	P	L
2	49.5	59.5
3	67	77
4	84.5	94.5
5	102	112
6	119.5	129.5
7	137	147
8	154.5	164.5
9	172	182
10	189.5	199.5

( ): Dimension for LJ plug type.

# MVSY-156 Mounting bracket / Spacer assembly

SOLENOID VALVE



## Order example of bracket

MVSY – 156 – 1A

MODEL

MOUNTING BRACKET  
1A  
2A

## Order example of spacer assembly

MVSY – 156M – 5BP

MODEL

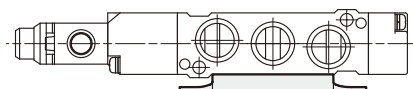
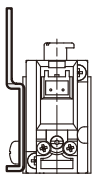
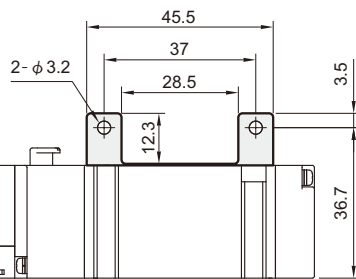
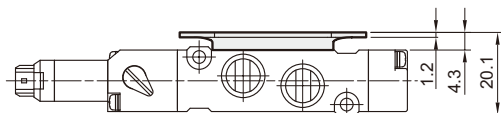
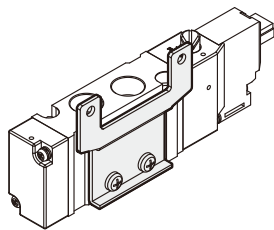
Blank: Body ported type  
M: Manifold type

5B: 5 port (for body ported type)  
5M: 5 port (for manifold type)

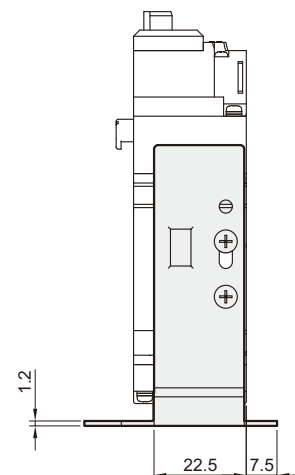
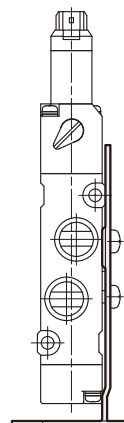
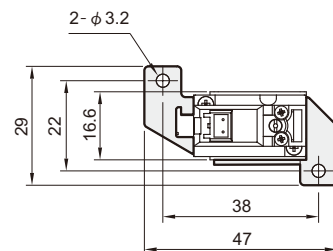
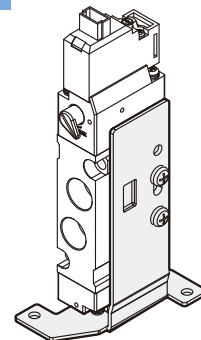
SPACER  
ASSEMBLY

P: Individual SUP spacer assembly  
R: Individual EXH spacer assembly  
PR: Individual SUP spacer assembly+  
Individual EXH spacer assembly

### MVSY-156-1A



### MVSY-156-2A



# MVSY-156 Spacer assembly

## SOLENOID VALVE

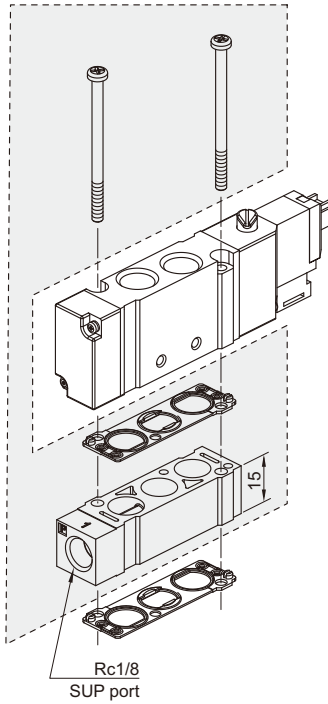


Mindman

### for body ported type

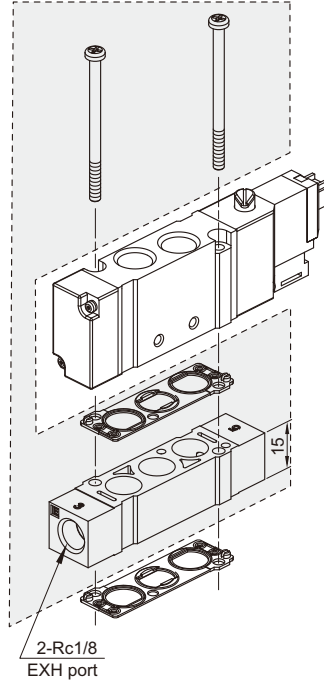
#### MVSY-156-5BP

Individual SUP spacer assembly



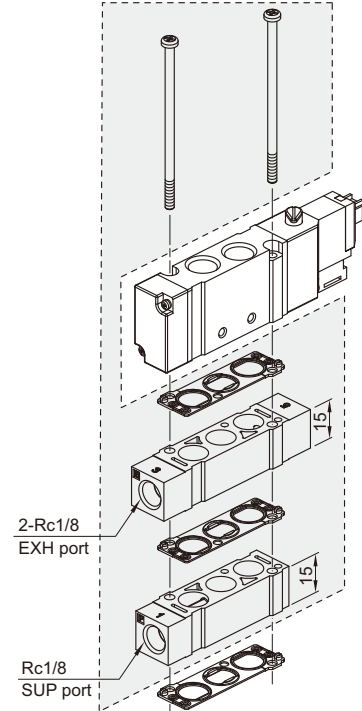
#### MVSY-156-5BR

Individual EXH spacer assembly



#### MVSY-156-5BPR

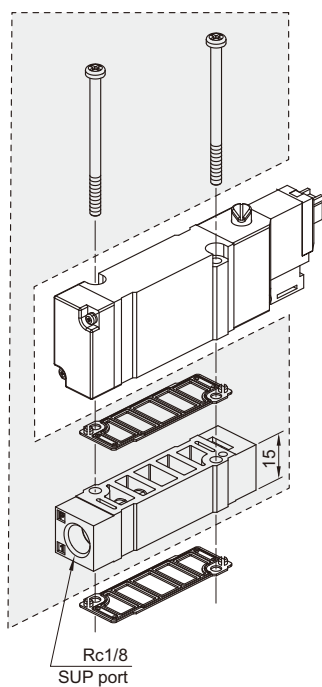
Individual SUP spacer assembly +  
Individual EXH spacer assembly



### for manifold type

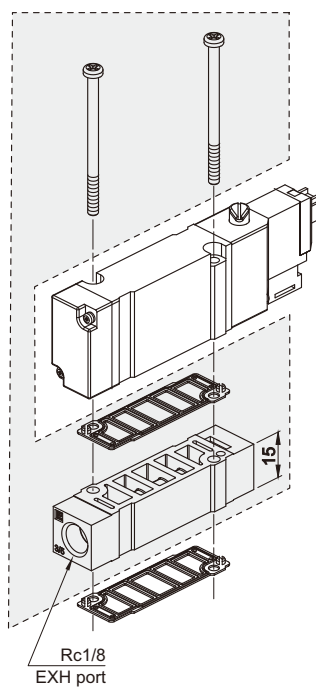
#### MVSY-156M-5MP

Individual SUP spacer assembly



#### MVSY-156M-5MR

Individual EXH spacer assembly



#### MVSY-156M-5MPR

Individual SUP spacer assembly +  
Individual EXH spacer assembly

