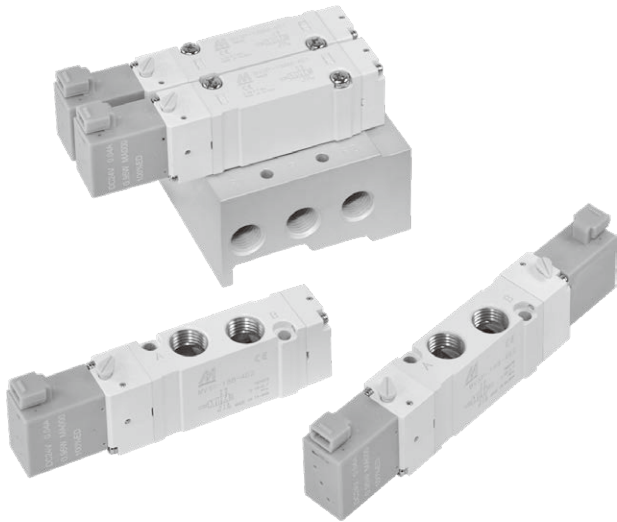


MVSP-188 series

SOLENOID VALVE



mindman

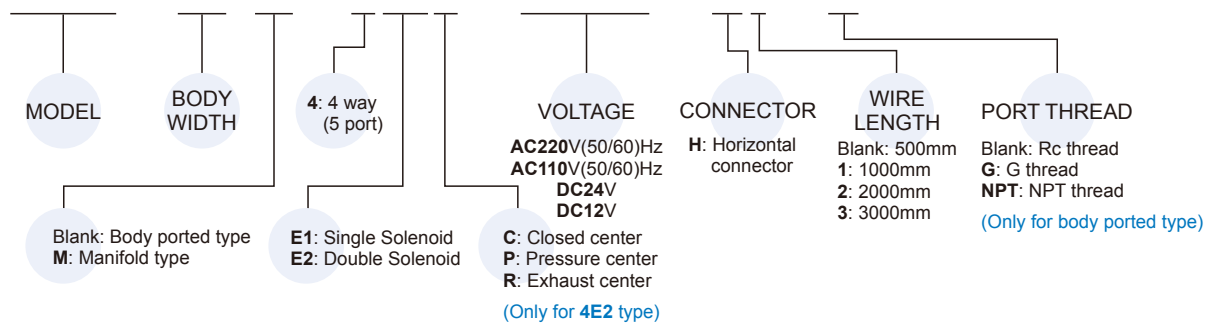


Specification

Model	4E1	4E2	4E2 C.P.R
Port size	Rc1/4		
No. of port / position	5/2		5/3
Medium	Air		
Operating perssure range	0.15~0.7 MPa		0.2~0.7 MPa
Proof pressure	1 MPa		
Effective orifice	Body ported	15 mm ²	16.3/27/12.4 mm ²
	Manifold	13 mm ²	13.5/18.4/11 mm ²
Reponse time	30 ms		
Ambient temperature	-5~+50°C (No freezing)		
Voltage	AC110V, 220V (50/60)Hz, DC24/12V		
Power consumption	AC=2.5VA, DC=0.95W		
Available voltage range	±10%		
Insulation calss	F class		
Weight	96 g	132 g	142 g

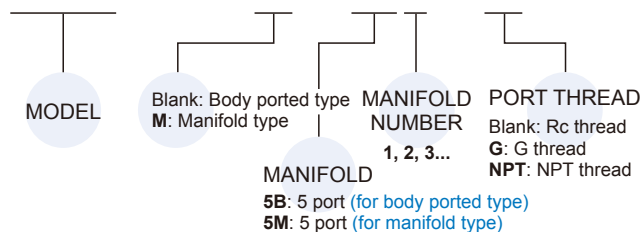
Order example of valve

MVSP – 188M – 4E2C – AC110 – H1 – G



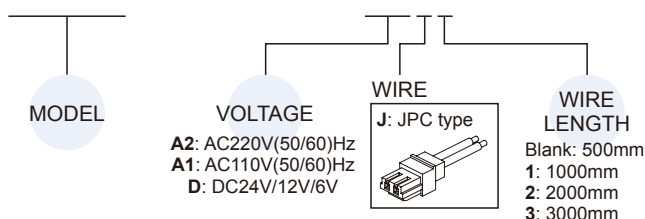
Order example of manifold * Use the same manifold with MVSY.

MVSY – 188M – 5B3 – G



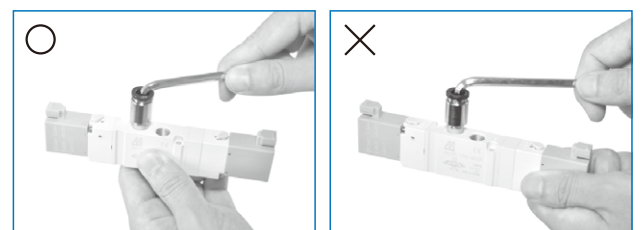
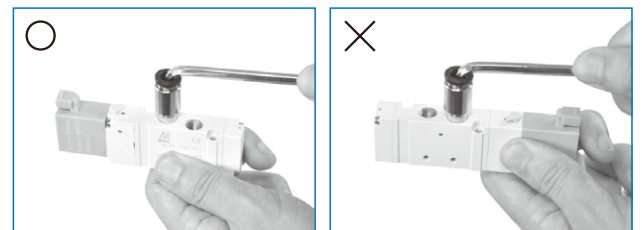
Order example of wire * Use the same wire with MVDY.

MVDY – 100 – WA2J2



Caution

Prohibit apply force to coil when tighten the tube fitting.

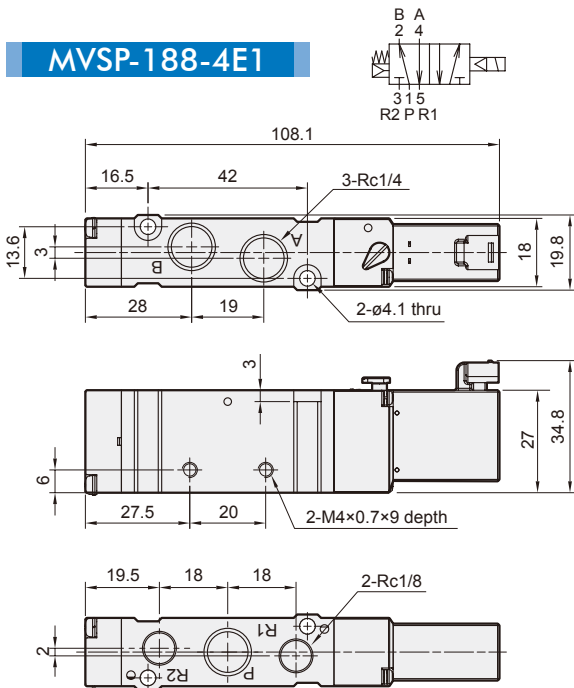


MVSP-188 Dimensions

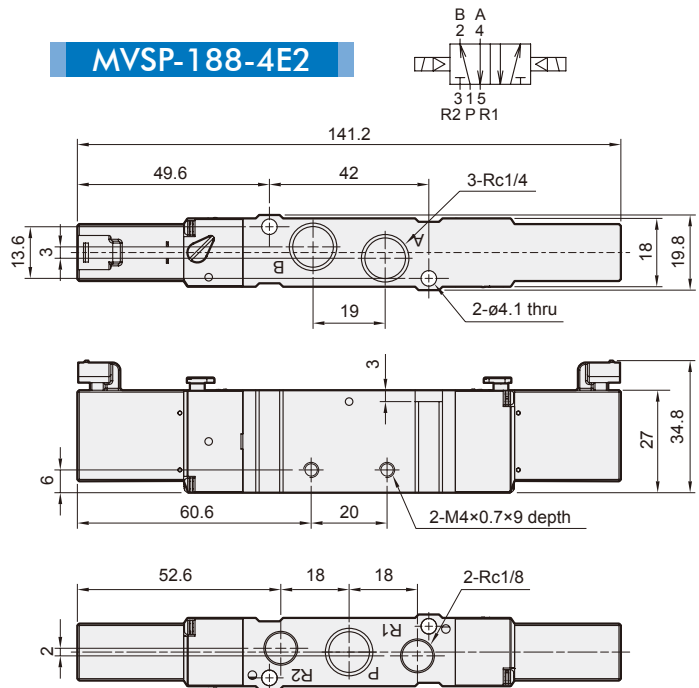
SOLENOID VALVE



MVSP-188-4E1



MVSP-188-4E2

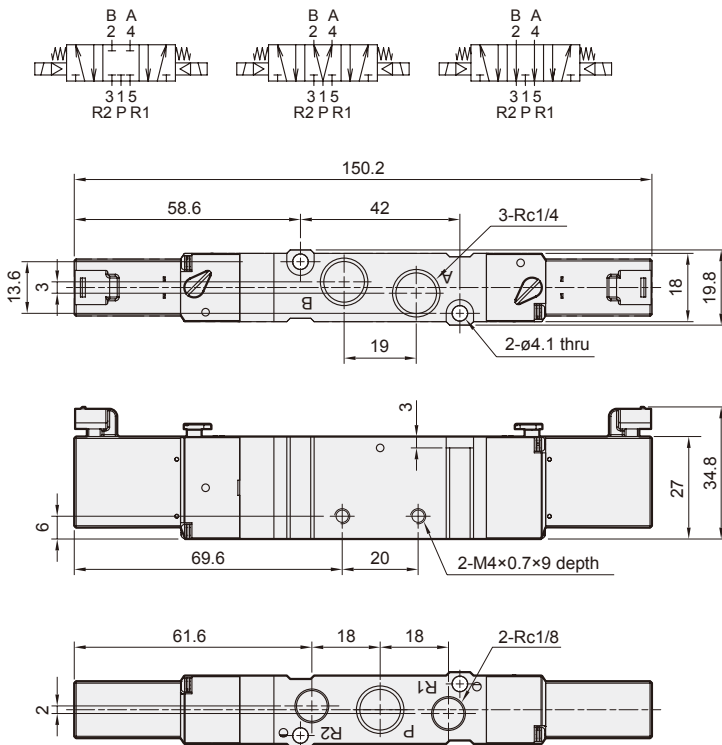


MVSP-188-4E2C.PR

MVSP-188-4E2C

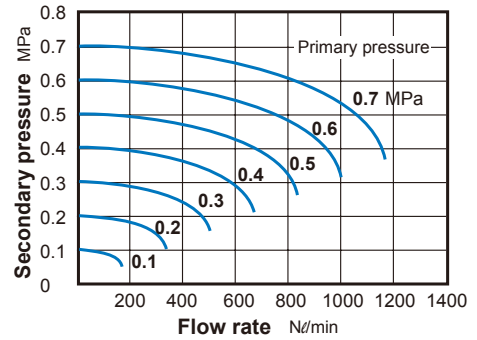
MVSP-188-4E2P

MVSP-188-4E2R

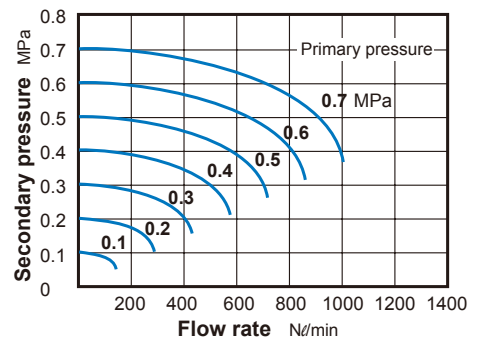


Flow features

MVSP-188-4E1/4E2



MVSP-188M-4E1/4E2



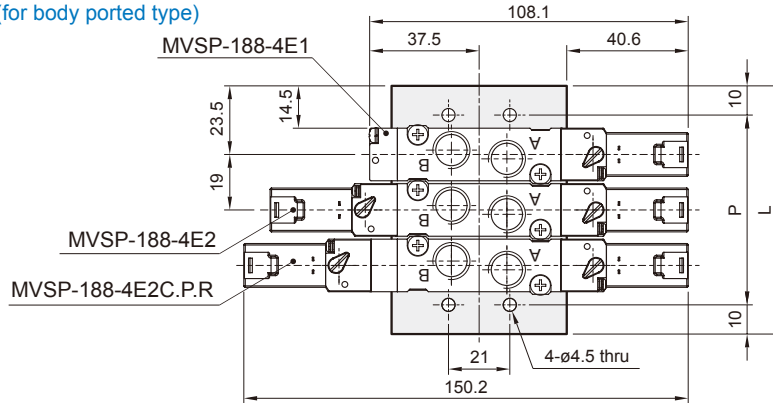
MVSP-188 Manifold

SOLENOID VALVE



MVSP-188-5B*

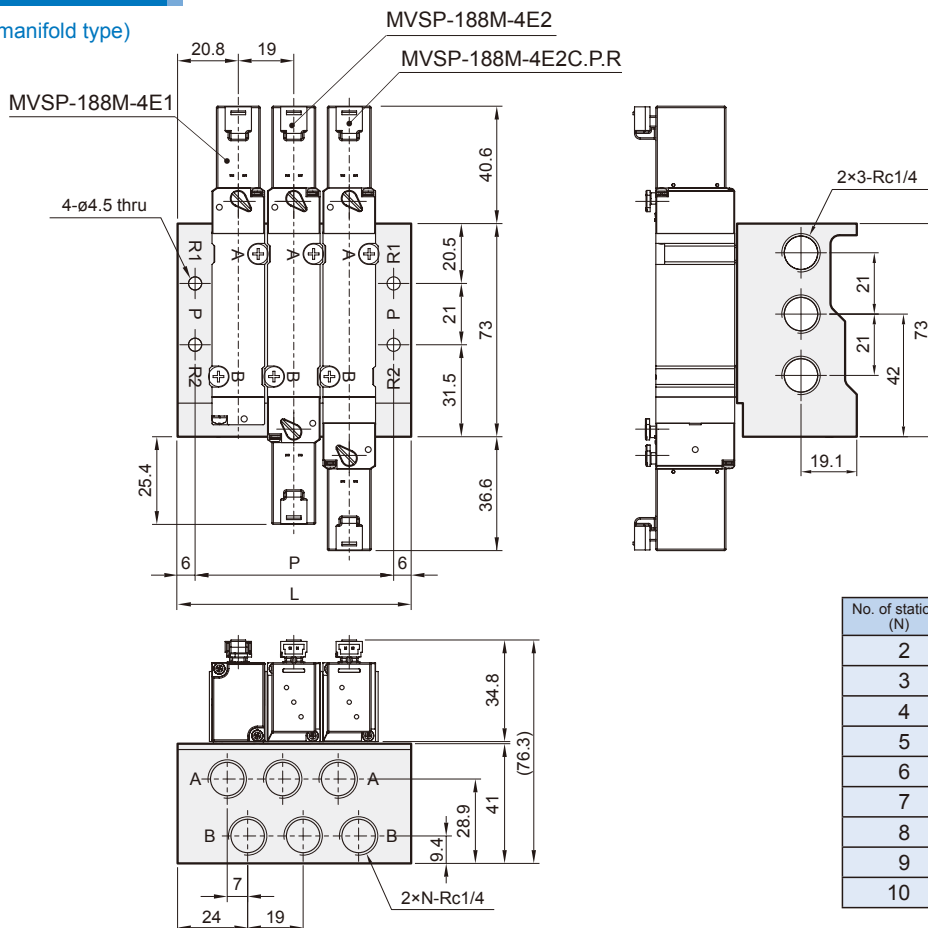
5 port (for body ported type)



No. of stations	P	L
2	46	66
3	65	85
4	84	104
5	103	123
6	122	142
7	141	161
8	160	180
9	179	199
10	198	218

MVSP-188M-5M*

5 port (for manifold type)



No. of stations (N)	P	L
2	49	61
3	68	80
4	87	99
5	106	118
6	125	137
7	144	156
8	163	175
9	182	194
10	201	213

MVSP-188 Mounting bracket & Spacer assembly

SOLENOID VALVE



Order example of bracket

* Use the same bracket with MVSYS.

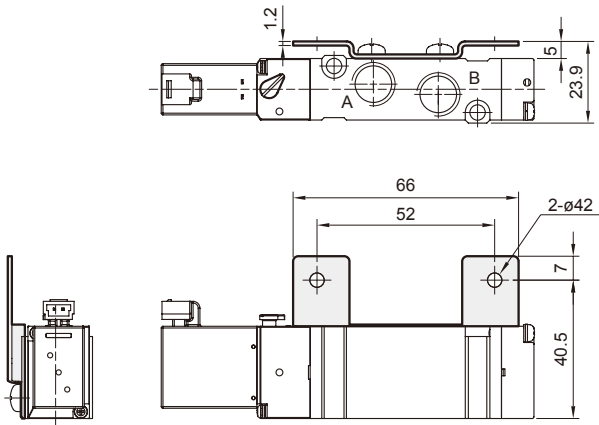
MVSYS – 188 – 1A

MODEL

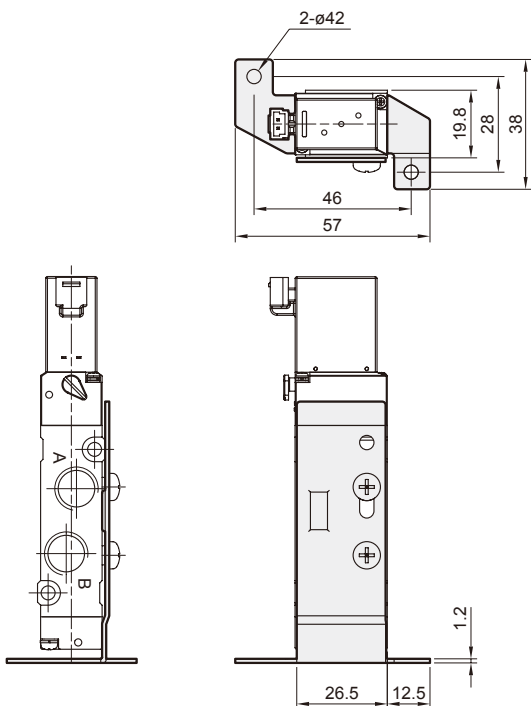
MOUNTING BRACKET

1A
2A

MVSYS-188-1A



MVSYS-188-2A



Order example of spacer assembly

* Use the same spacer assembly with MVSYS.

MVSYS – 188M – 5BP

MODEL

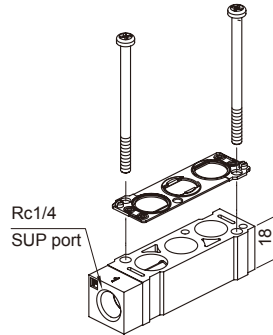
5B: 5 Port (for body ported type)
5M: 5 Port (for Manifold type)

SPACER ASSEMBLY

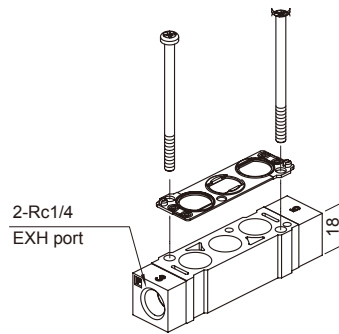
Blank: Body ported type
M: Manifold type

P: Individual SUP spacer assembly
R: Individual EXH spacer assembly
PR: Individual SUP spacer assembly + Individual SUP spacer assembly

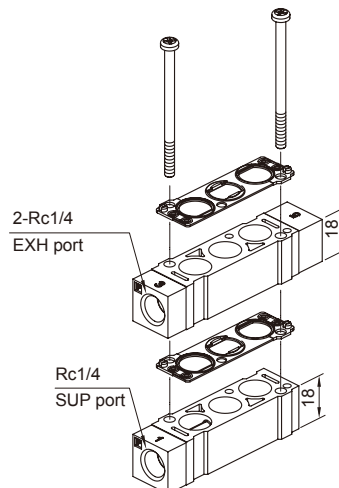
MVSYS-188-5BP



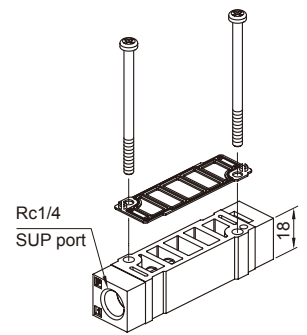
MVSYS-188-5BR



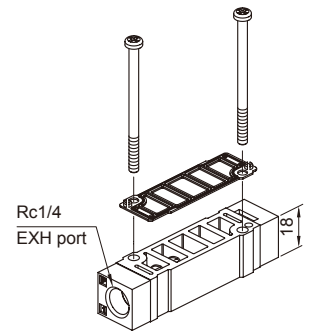
MVSYS-188-5BPR



MVSYS-188M-5MP



MVSYS-188M-5MR



MVSYS-188M-5MPR

