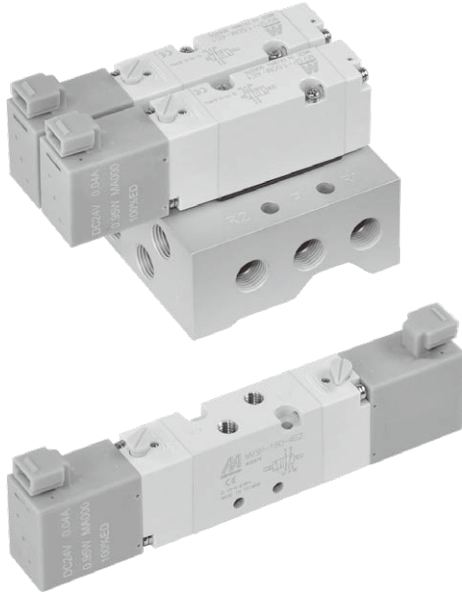


# MVSP-150 series

## SOLENOID VALVE

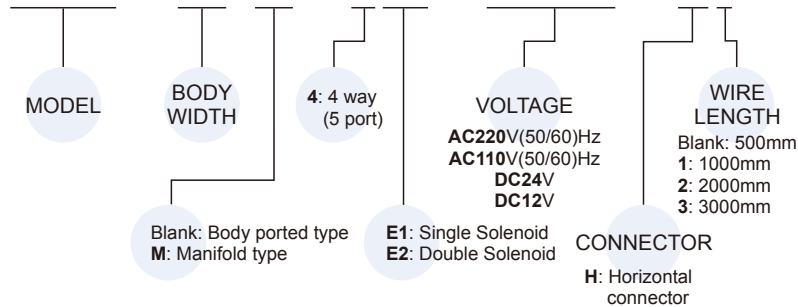


### Specification

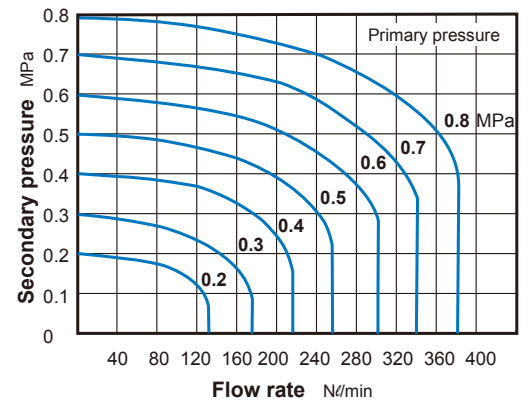
Model	4E1	4E2
Port size	M5×0.8	
No. of port	5	
No. of position	2	
Medium	Air	
Operating pressure range	0.15~0.8 MPa	
Proof pressure	1 MPa	
Effective orifice	3.8 mm <sup>2</sup>	
Response time	25 ms	
Ambient temperature	-5~+50°C (No freezing)	
Voltage	AC110V, 220V (50/60)Hz, DC24/12V	
Power consumption	AC=2.5VA, DC=0.95W	
Available voltage range	±10%	
Insulation class	F class	
Weight (Explosion-proof)	73 g	108 g

### Order example of valve

**MVSP — 150M — 4E2 — AC110 — H1**

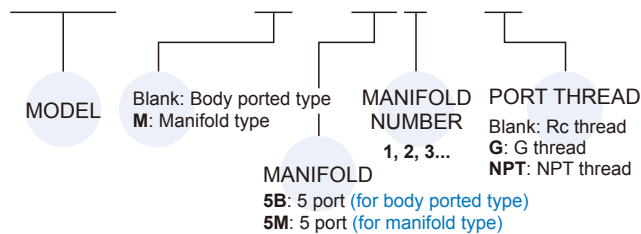


### Flow features



### Order example of manifold

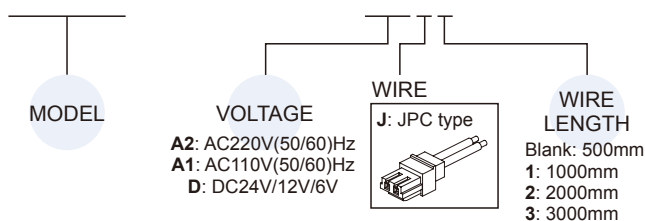
**MVSP — 150M — 5B3 — G**



### Order example of wire

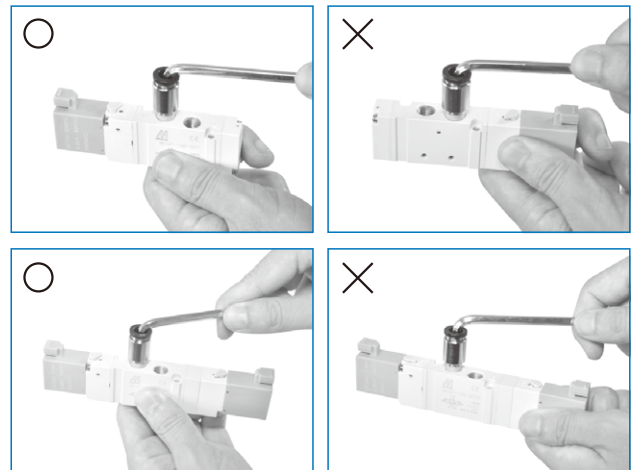
\* Use the same wire with MVDY.

**MVDY — 100 — WA2J2**



### Caution

Prohibit apply force to coil when tighten the tube fitting.

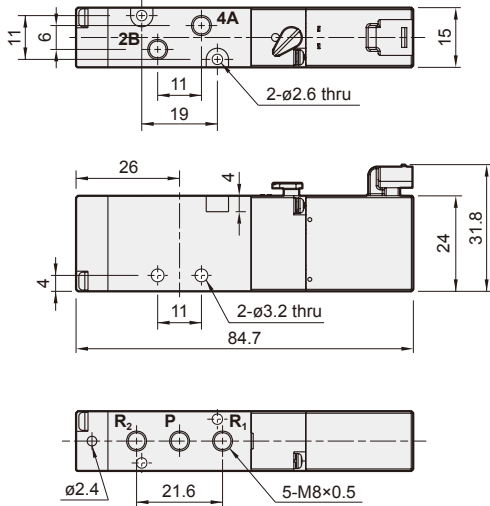
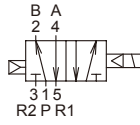


# MVSP-150 Dimensions

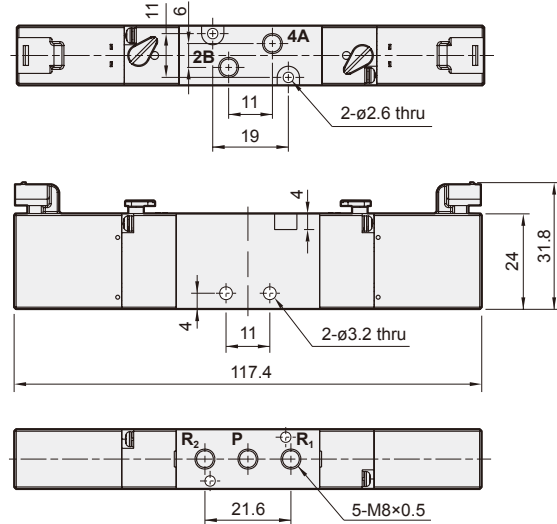
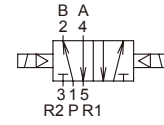
## SOLENOID VALVE



### MVSP-150-4E1

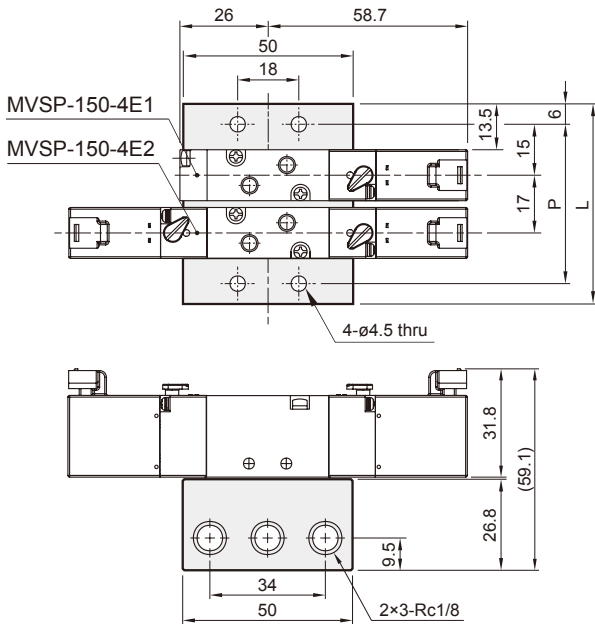


### MVSP-150-4E2



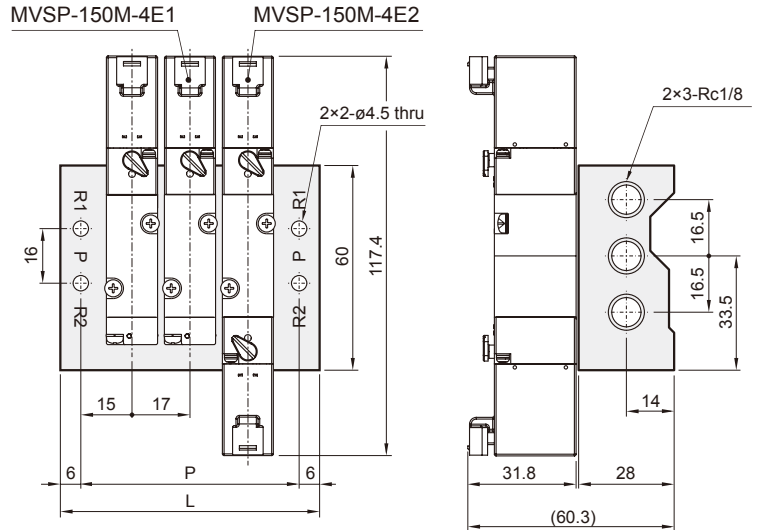
### MVSP-150-5B\*

5 port (for body ported type)

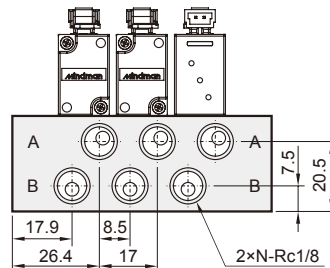


### MVSP-150M-5M\*

5 port (for manifold type)



No. of stations	P	L
2	47	59
3	64	76
4	81	93
5	98	110
6	115	127
7	132	144
8	149	161
9	166	178
10	183	195



No. of stations (N)	P	L
2	47	59
3	64	76
4	81	93
5	98	110
6	115	127
7	132	144
8	149	161
9	166	178
10	183	195