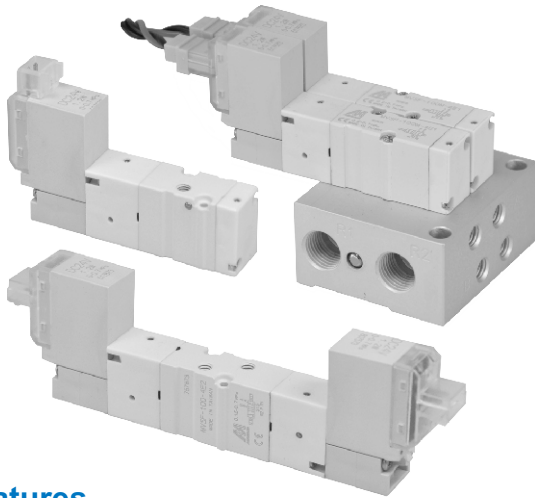


MVSF-100 series

SOLENOID VALVE



mindman



Specification

Model	3E1	3E2	4E1	4E2
Bore No.	M3			
Port size	M3×0.5			
No. of port	3		5	
No. of position	2			
Medium	Air			
Operating pressure range	0.15~0.7 MPa			
Effective orifice mm ² (Cv)	P→A/B: 1.0 (0.06)			
Response time	12 ms			
Ambient temperature	+5~+50℃			
Lubrication	Not necessary			
Voltage	AC110V,AC220V(50/60)Hz,DC6/12/24V			
Power consumption	AC=1.6 / 2.5VA,DC=0.55W (LED indicator)			
Surge voltage suppressor	Diode			
Available voltage range	±10%			
Insulation class	B class			
Weight	25 g	41 g	28 g	44 g

Features

- **Low power consumption: 1.2W**
- **Compact design, Large flow capacity**
Cv factor for this series is 1.25 times larger than conventional valve with the same body width.
- **Quick response time: 12ms**

Order example of valve

MVSF - 100M - 4E2 - NC - DC12 - LJ1

MODEL

BODY WIDTH

NC: Normally closed
NO: Normally open
(Only for 3E1 type)

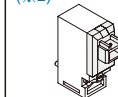
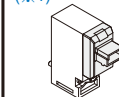
VOLTAGE

AC220V(50/60)Hz
AC110V(50/60)Hz
DC24V
DC12V
DC6V

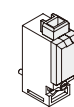
PLUG TYPE

LJ: Plug on side (※1)

LR: Plug on side (※2)



SR: Plug on top (※2)



WIRE LENGTH

Blank: 500mm
1: 1000mm
2: 2000mm
3: 3000mm

Blank: Body ported type
M: Manifold type

3: 3 way(3 port)
4: 4 way(5 port)

E1: Single Solenoid
E2: Double Solenoid

※1. Connector with flying leads JPC type.
※2. Connector with flying leads RMH type. (Original)

Order example of manifold

MVSF - 100M - 5M3

MODEL

Blank: Body ported type
M: Manifold type

MANIFOLD NUMBER
1, 2, 3...

MANIFOLD

3B: 3 port (for body ported type)
5B: 5 port (for body ported type)
5M: 5 port (for manifold type)

Order example of wire

MVDY - 100 - WA2J2

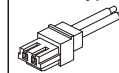
MODEL

VOLTAGE

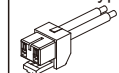
A2: AC220V(50/60)Hz
A1: AC110V(50/60)Hz
D: DC24V/12V/6V

WIRE

J: JPC type



R: RMH type



WIRE LENGTH

Blank: 500mm
1: 1000mm
2: 2000mm
3: 3000mm

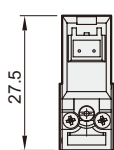
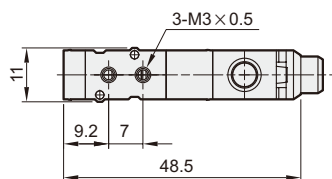
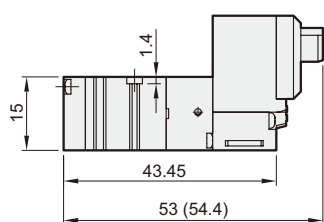
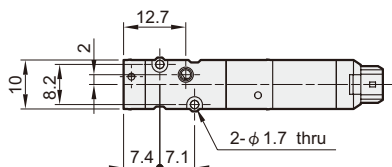
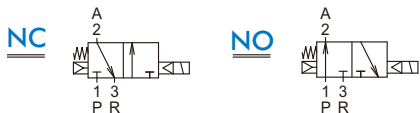
※ Use the same wire with MVDY.

MVSF-100 Dimensions / Manifold

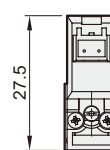
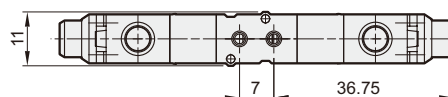
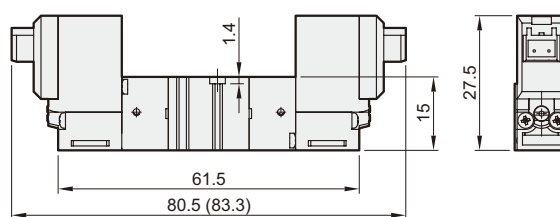
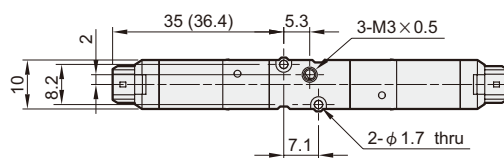
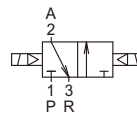
SOLENOID VALVE



MVSF-100-3E1-NC/NO



MVSF-100-3E2

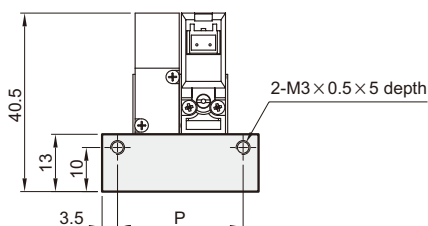
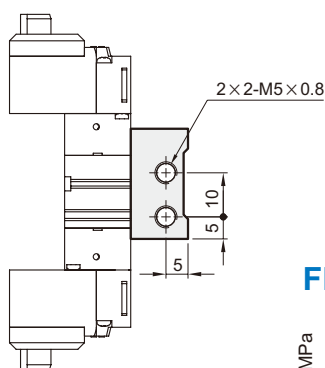
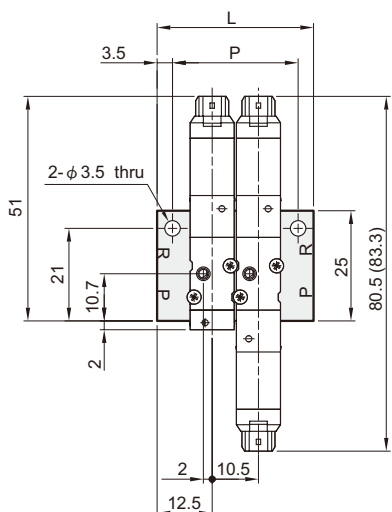


Manifold of solenoid valve

MVSF-100-3B*

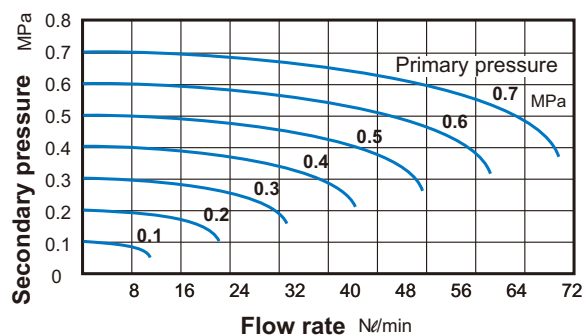
3 port (for body ported type)

() : Dimension for LJ plug type.



No. of stations	P	L
2	28.5	35.5
3	39	46
4	49.5	56.5
5	60	67
6	70.5	77.5
7	81	88
8	91.5	98.5
9	102	109
10	112.5	119.5

Flow features

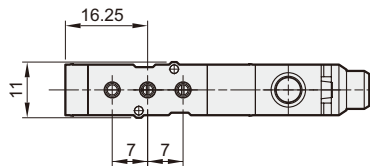
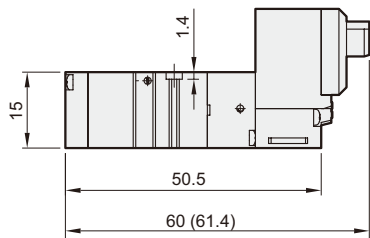
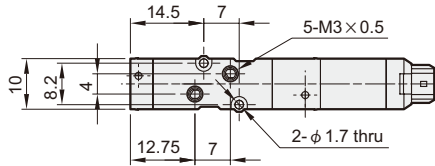
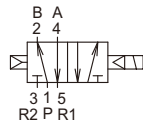


MVSF-100 Dimensions

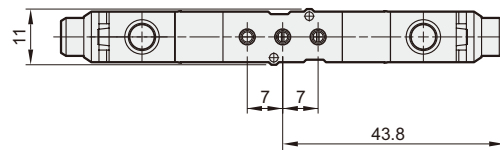
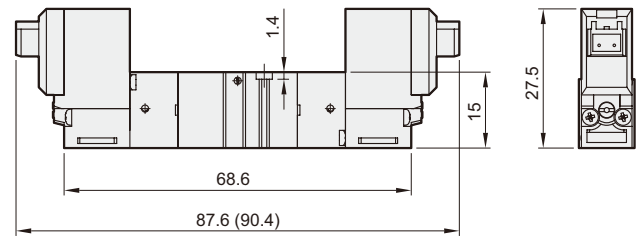
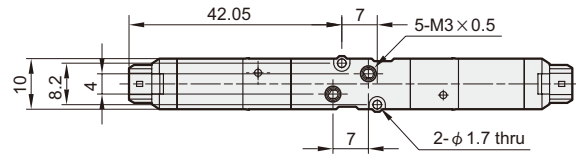
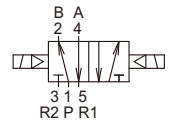
SOLENOID VALVE



MVSF-100-4E1



MVSF-100-4E2

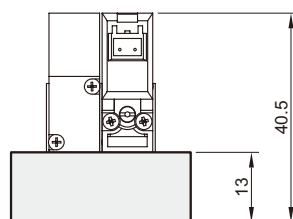
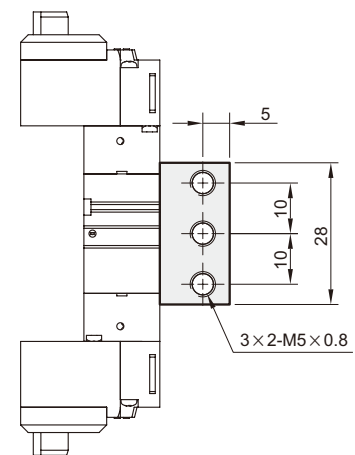
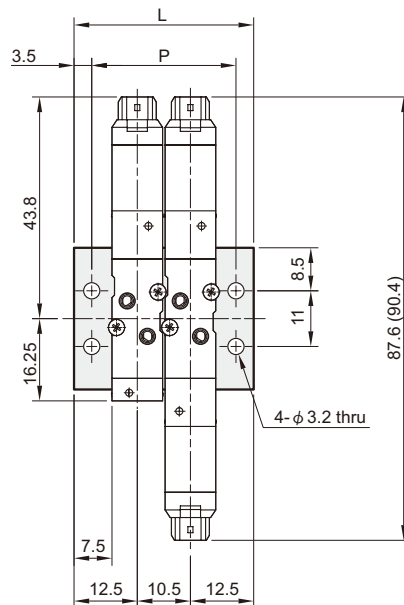


Manifold of solenoid valve

MVSF-100-5B*

5 port (for body ported type)

No. of stations	P	L
2	28.5	35.5
3	39	46
4	49.5	56.5
5	60	67
6	70.5	77.5
7	81	88
8	91.5	98.5
9	102	109
10	112.5	119.5



(): Dimension for LJ plug type.

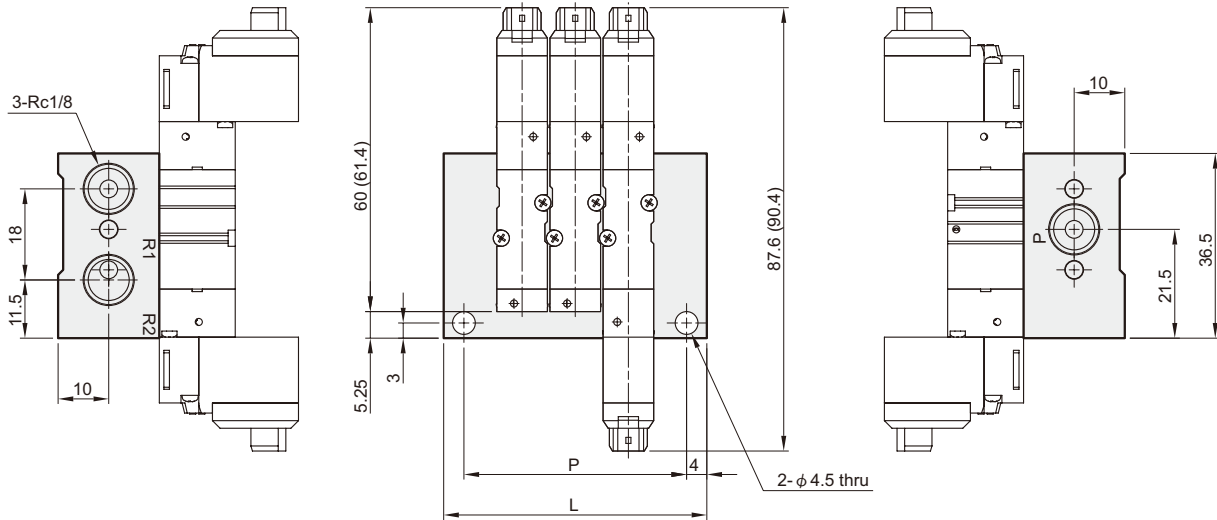
MVSF-100 Manifold

SOLENOID VALVE

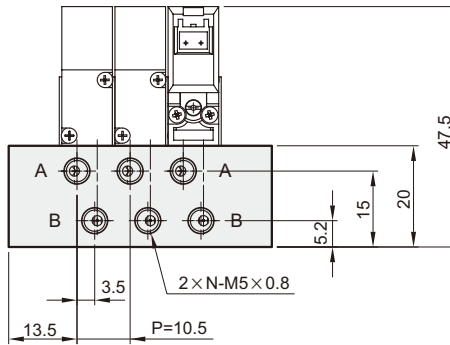


MVSF-100M-5M*

5 port (for manifold type)



No. of stations (N)	P	L
2	33.5	41.5
3	44	52
4	54.5	62.5
5	65	73
6	75.5	83.5
7	86	94
8	96.5	104.5
9	107	115
10	117.5	125.5



(): Dimension for LJ plug type.