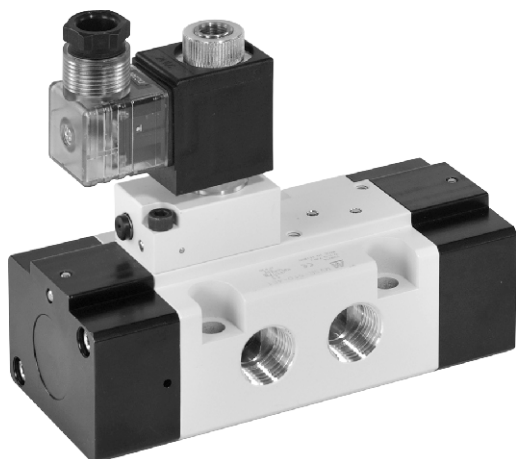


MVSE-510 series

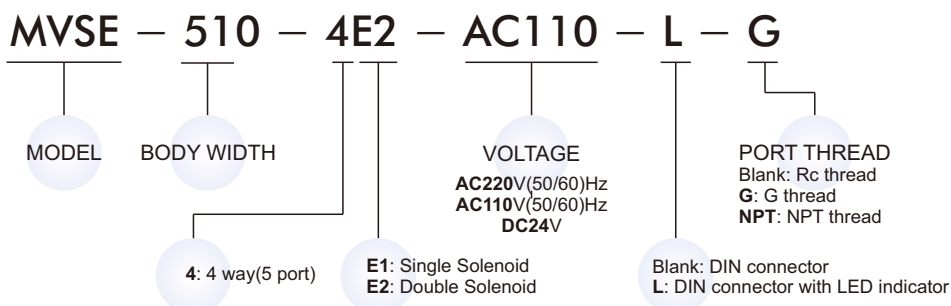
SOLENOID VALVE



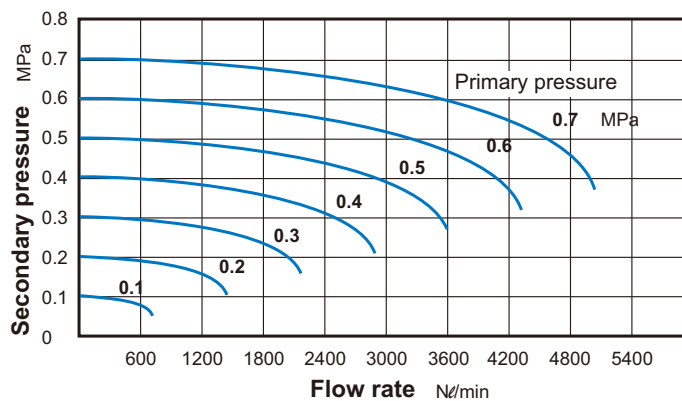
Specification

| Model | 4E1 | 4E2 |
|--------------------------|---------------------------------|--------|
| Bore No. | 15A | |
| Port size | Rc1/2 | |
| No. of port | 5 | |
| No. of position | 2 | |
| Medium | Air | |
| Operating pressure range | 0.2~0.7 MPa | |
| Proof pressure | 1 MPa | |
| Effective orifice | 65 mm ² | |
| Response time | 60 ms | |
| Ambient temperature | - 5~ + 50°C (No freezing) | |
| Voltage | AC110V, AC220V (50/60)Hz, DC24V | |
| Power consumption | AC=13/11VA, DC=10W | |
| Available voltage range | ± 10% | |
| Insulation class | H class | |
| Weight | 1523 g | 1808 g |

Order example of valve



Flow features



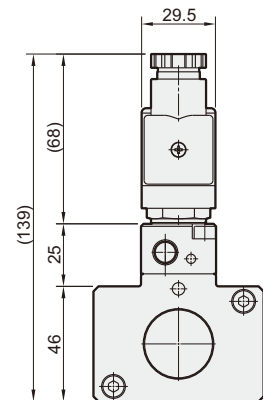
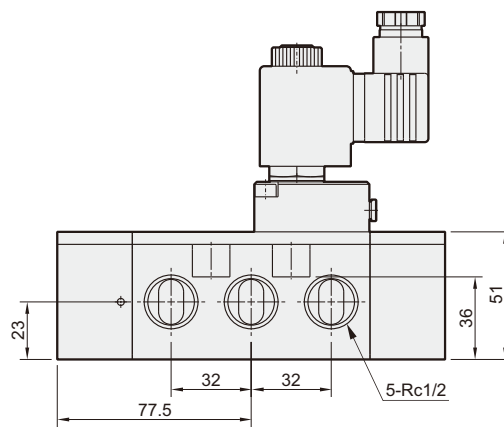
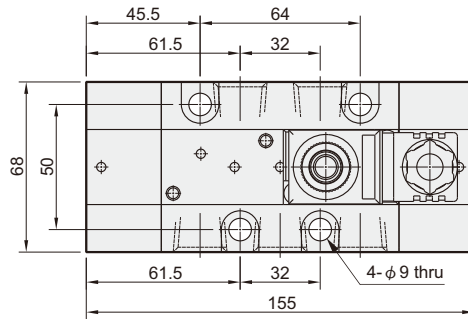
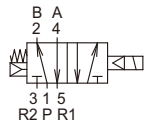
MVSE-510 Dimensions

SOLENOID VALVE



Mindman

MVSE-510-4E1



MVSE-510-4E2

