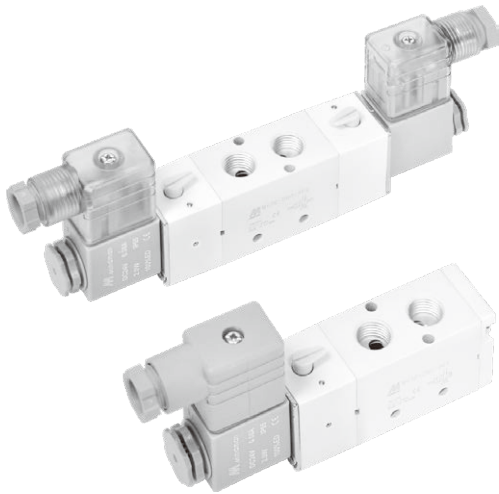


MVSE-260 series

SOLENOID VALVE



Mindman



Specification

Model	4E1	4E2	4E2 C.P.R
Bore No.	8A		
Port size	Rc1/4		
No. of port	5		
No. of position	2	3	
Medium	Air		
Operating perssure range	0.2~1.2 MPa	0.3~1.2 MPa	
Proof pressure	1 MPa		
Effective orifice	18 mm ²	16 mm ²	
Reponse time	40 ms	35 ms	
Ambient temperature	-5~+50°C (No freezing)		
Voltage	AC110V, 220V (50/60)Hz, DC24V		
Power consumption	AC=6/4.9VA, DC=2W		
Available voltage range	±10%		
Insulation calss	F class		
Weight	255 g	350 g	405 g

Order example of valve

MVSE — 260 — 4E2C — AC110 — L — G

MODEL

BODY WIDTH

VOLTAGE

AC220V(50/60)Hz
AC110V(50/60)Hz
DC24V

Blank: Din connector

L: Din connector with LED indicator

E: Explosion protection (Table 1)

(E type use black coil)

PORT THREAD

Blank: Rc thread

G: G thread

NPT: NPT thread

4: 4 way (5 port)

E1: Single Solenoid
E2: Double Solenoid

C: Closed center
P: Pressure center
R: Exhaust center

(Only for 4E2 type)

Table 1

Property for explosion-proof type

Anti-explosion class	EEx m II T4
Voltage	AC110V, 220V.(50/60)Hz, DC24V.
Power consumption	AC=4.4VA DC=5W
Available valgage range	±10%
Insulation class	F class

Order example of manifold

MVSE — 260 — 5B3 — G

MODEL

MANIFOLD

5B: 5 port (for body ported type)

MANIFOLD NUMBER

1, 2, 3...

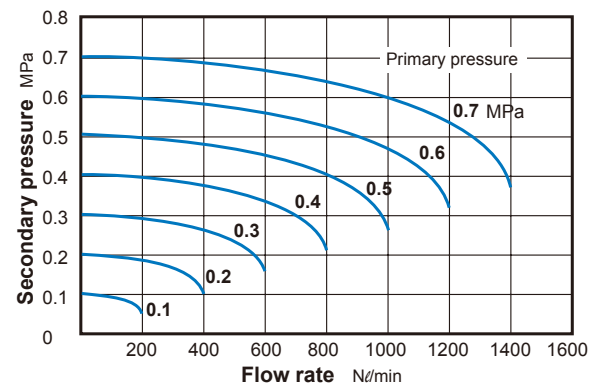
PORT THREAD

Blank: Rc thread

G: G thread

NPT: NPT thread

Flow features

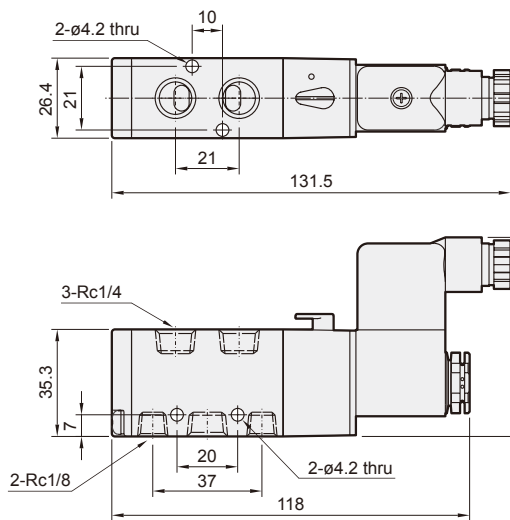
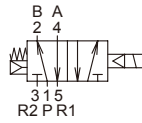


MVSE-260 Dimensions

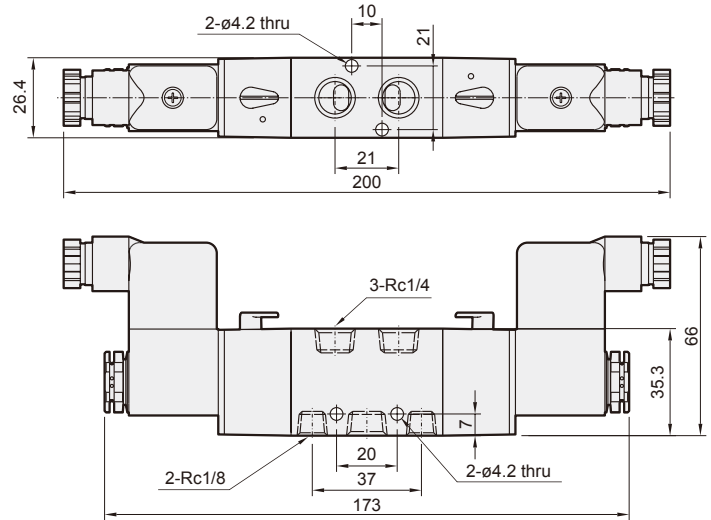
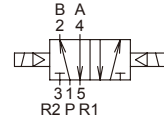
SOLENOID VALVE



MVSE-260-4E1



MVSE-260-4E2

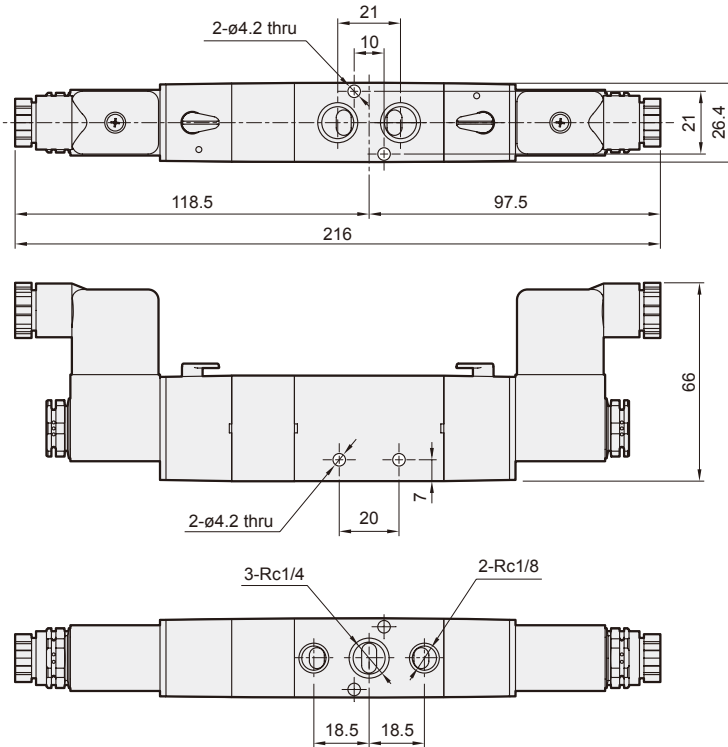
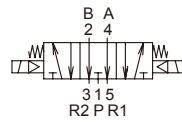
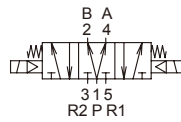
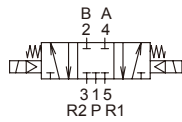


MVSE-260-4E2C.P.R

MVSE-260-4E2C

MVSE-260-4E2P

MVSE-260-4E2R



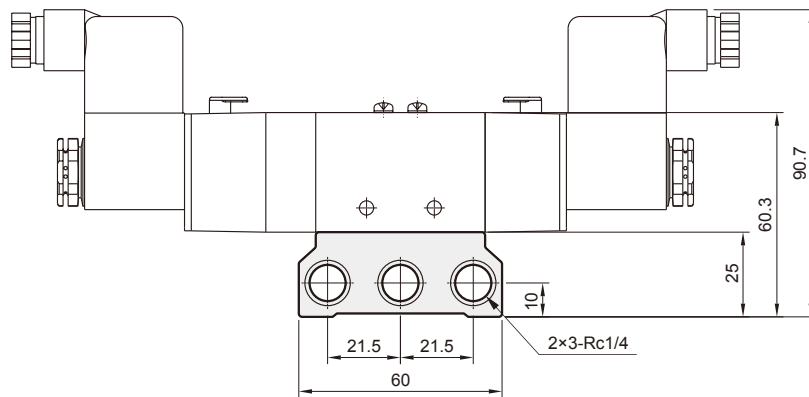
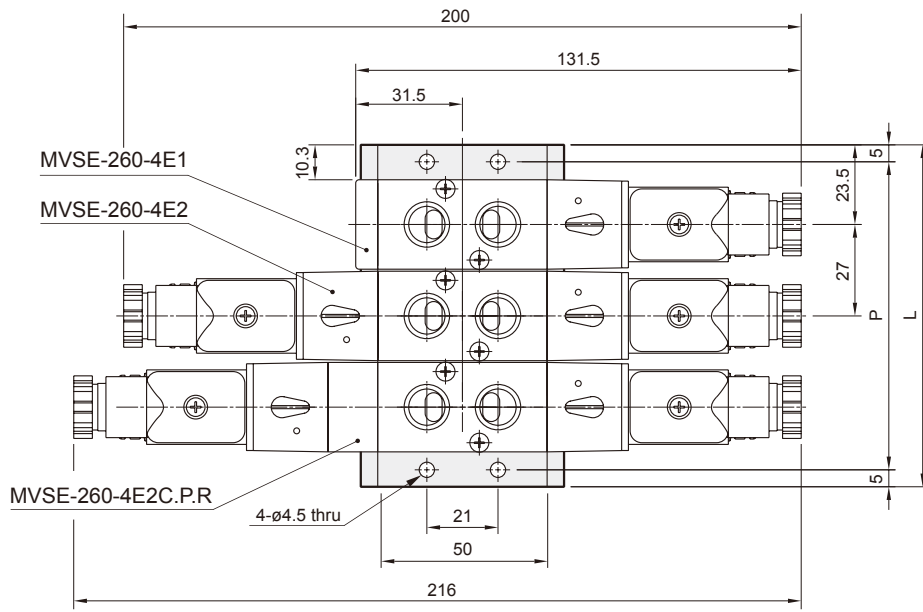
MVSE-260 Manifold

SOLENOID VALVE



MVSE-260-5B*

5 port (for body ported type)



No. of stations	P	L
2	64	74
3	91	101
4	118	128
5	145	155
6	172	182
7	199	209
8	226	236
9	253	263
10	280	290