

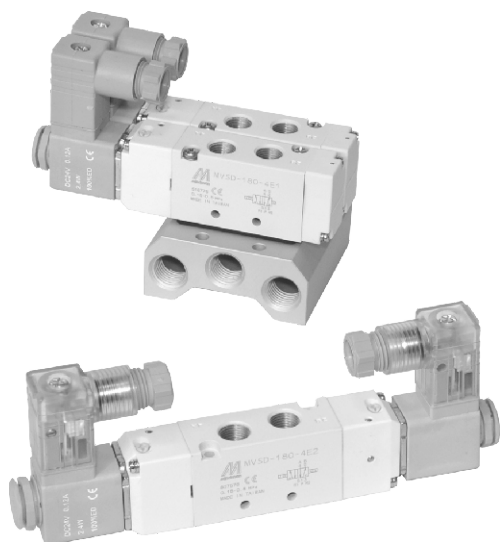
MVSD-180 series

SOLENOID VALVE



Mindman

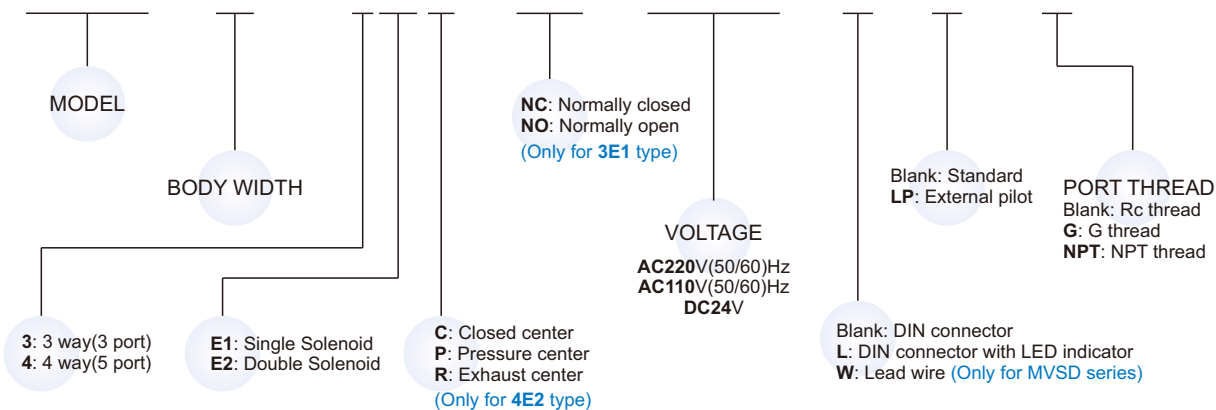
Specification



| Model | 3E1 | 3E2 | 4E1 | 4E2 | 4E2C.P.R |
|------------------------------|-------------------------------|-------|--------------------|-------------------|----------|
| Bore No. | 6A | | | | |
| Port size | Rc1/8 | | | | |
| No. of port | 3 | | 5 | | |
| No. of position | 2 | | | 3 | |
| Medium | Air | | | | |
| Operating pressure range | 0.15~0.8 MPa | | | 0.2~0.7 MPa | |
| Operating pressure (LP) | 0~0.8 MPa | | | 0~0.7 MPa | |
| External pilot pressure (LP) | 0.15~0.8 MPa | | | 0.2~0.7 MPa | |
| Proof pressure | 1 MPa | | | | |
| Effective orifice | 15 mm ² | | 12 mm ² | 9 mm ² | |
| Response time | 30 ms | | | | |
| Ambient temperature | -5~+50°C (No freezing) | | | | |
| Voltage | AC110V, 220V (50/60)Hz, DC24V | | | | |
| Power consumption | AC=3.7/ 3.1VA, DC=3W | | | | |
| Available voltage range | ±10% | | | | |
| Insulation class | F class | | | | |
| Weight | 120 g | 172 g | 124 g | 176 g | 190 g |

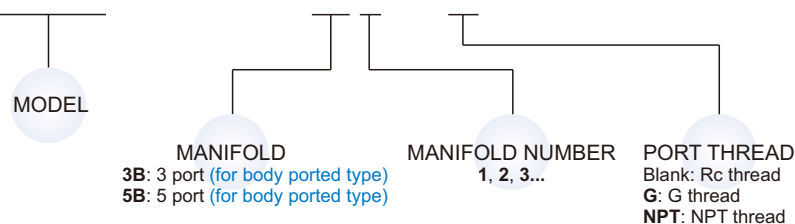
Order example of valve

MVSD - 180 - 4E2C - NC - AC110 - L - LP - G



Order example of manifold ※ Use the same manifold with MVSP.

MVSP - 180 - 3B3 - G

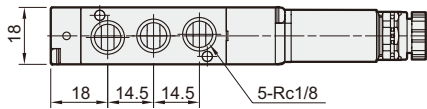
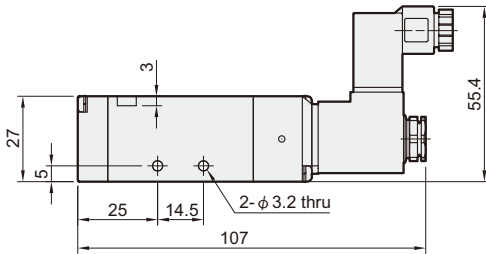
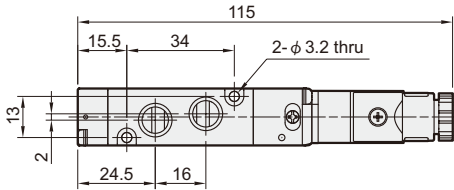
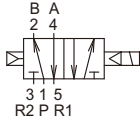


MVSD-180 Dimensions

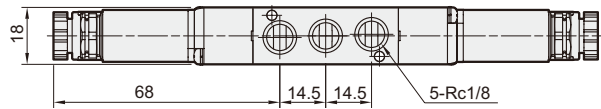
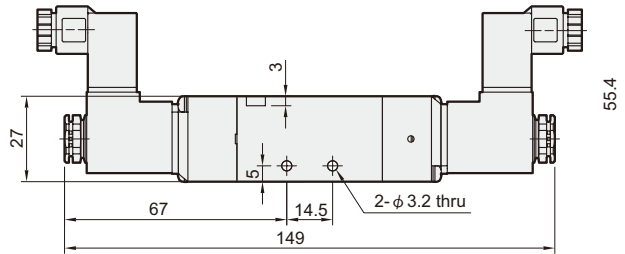
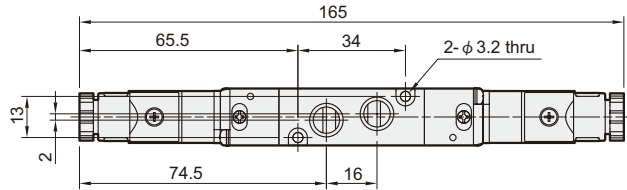
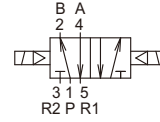
SOLENOID VALVE



MVSD-180-4E1

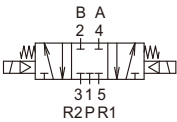


MVSD-180-4E2

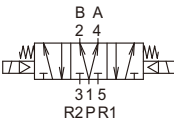


MVSD-180-4E2C.PR

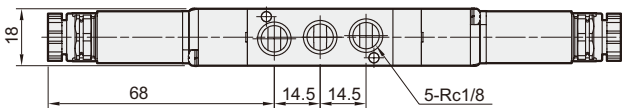
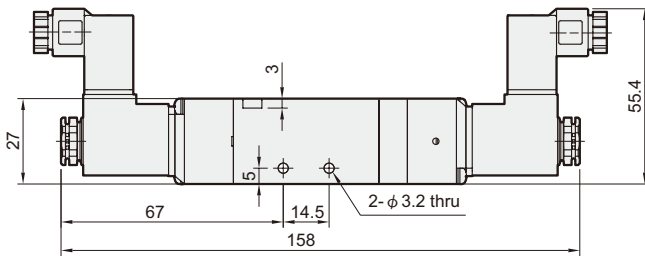
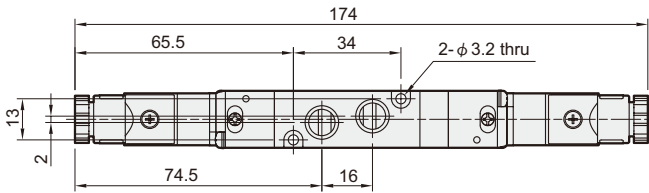
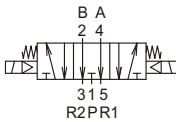
MVSD-180-4E2C



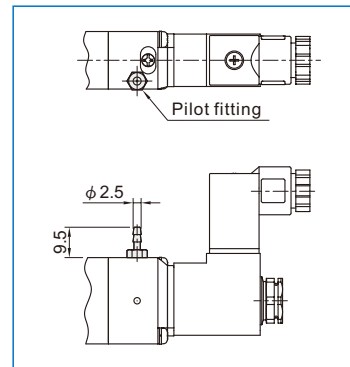
MVSD-180-4E2P



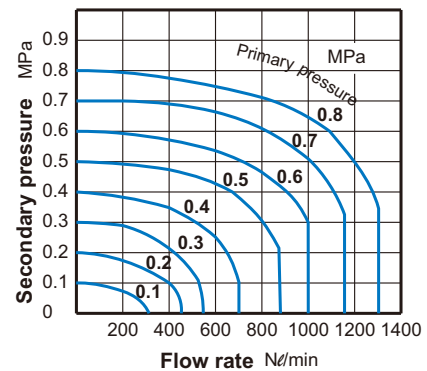
MVSD-180-4E2R



LP



Flow features

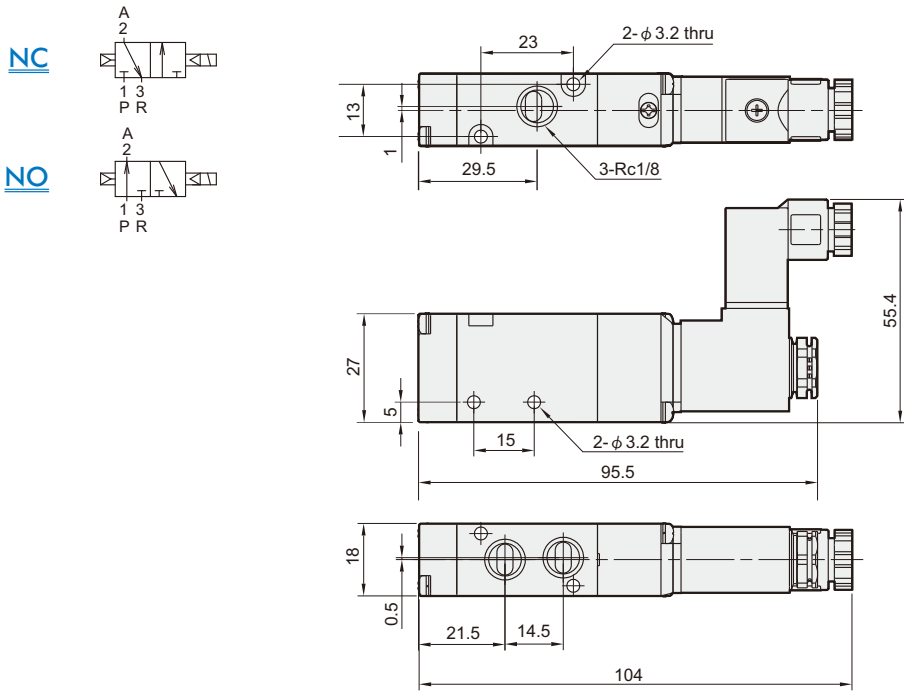


MVSD-180 Dimensions

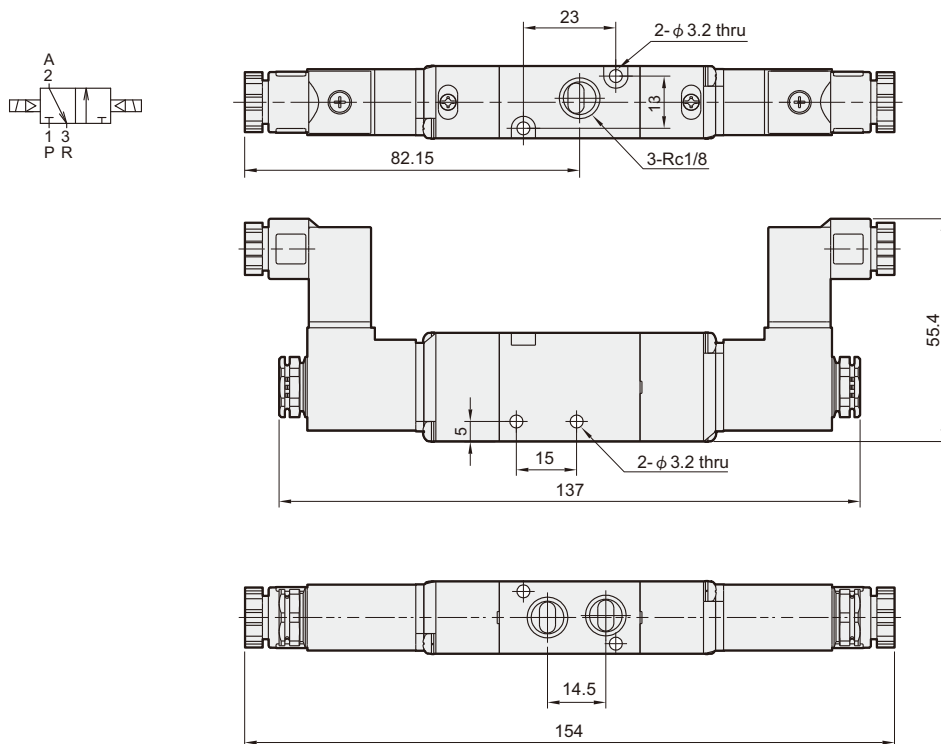
SOLENOID VALVE



MVSD-180-3E1-NC/NO



MVSD-180-3E2



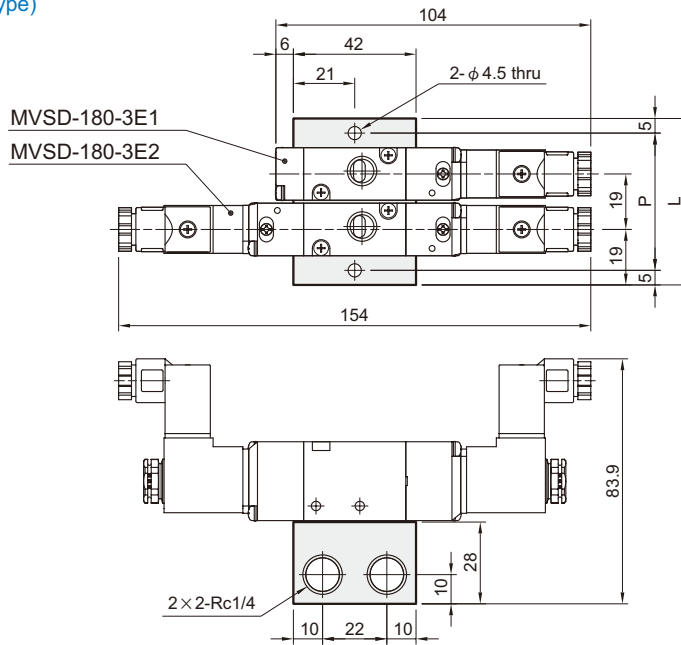
MVSD-180 Manifold

SOLENOID VALVE



MVSP-180-3B*

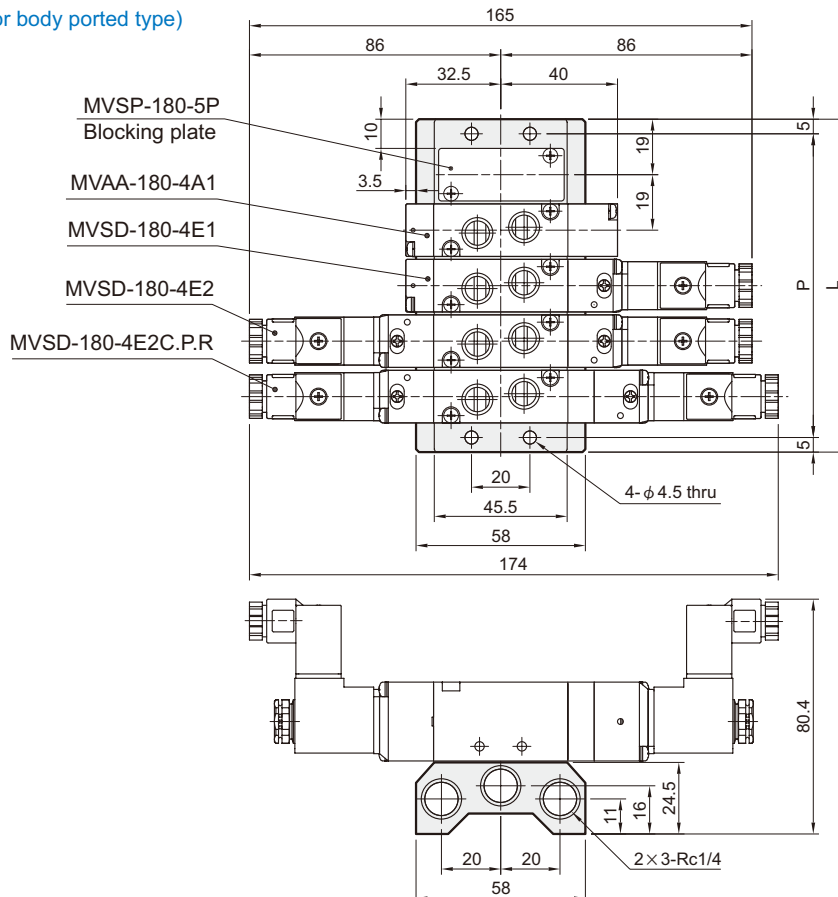
3 port (for body ported type)



| No. of stations | P | L |
|-----------------|-----|-----|
| 2 | 47 | 57 |
| 3 | 66 | 76 |
| 4 | 85 | 95 |
| 5 | 104 | 114 |
| 6 | 123 | 133 |
| 7 | 142 | 152 |
| 8 | 161 | 171 |
| 9 | 180 | 190 |
| 10 | 199 | 209 |

MVSP-180-5B*

5 port (for body ported type)



| No. of stations | P | L |
|-----------------|-----|-----|
| 2 | 47 | 57 |
| 3 | 66 | 76 |
| 4 | 85 | 95 |
| 5 | 104 | 114 |
| 6 | 123 | 133 |
| 7 | 142 | 152 |
| 8 | 161 | 171 |
| 9 | 180 | 190 |
| 10 | 199 | 209 |