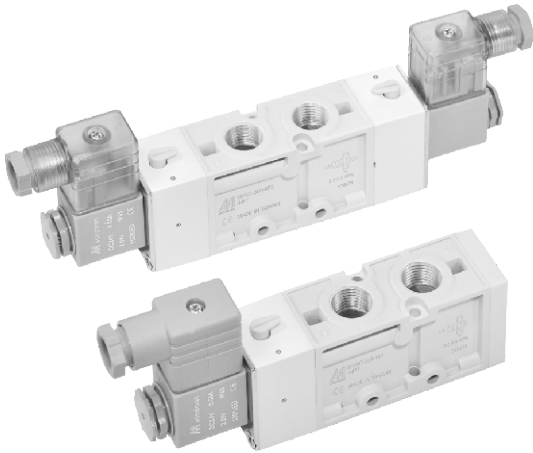


### Specification



Model	3E1	3E2	4E1	4E2	4E2C.P.R
Bore No.	10A				
Port size	Rc3/8				
No. of port	3		5		
No. of position	2			3	
Medium	Air				
Operating pressure range	0.2~0.8 MPa			0.2~0.8 MPa	
Operating pressure (LP)	0~0.8 MPa				
External pilot pressure (LP)	0.2~0.8 MPa			0.2~0.8 MPa	
Proof pressure	1 MPa				
Effective orifice	30 mm <sup>2</sup>		35 mm <sup>2</sup>		25 mm <sup>2</sup>
Ambient temperature	- 5~ + 50°C (No freezing)				
Response time	50 ms				
Voltage	AC110V, 220V (50/60)Hz, DC24V				
Power consumption	AC=4.8/4.4VA, 6/4.9VA DC=2W				
Available voltage range	± 10%				
Insulation class	F class				
Weight	350 g	439 g	293 g	387 g	565 g

### Order example of valve

**MVSC – 300 – 4E2C – NC – AC110 – L – LP – G**

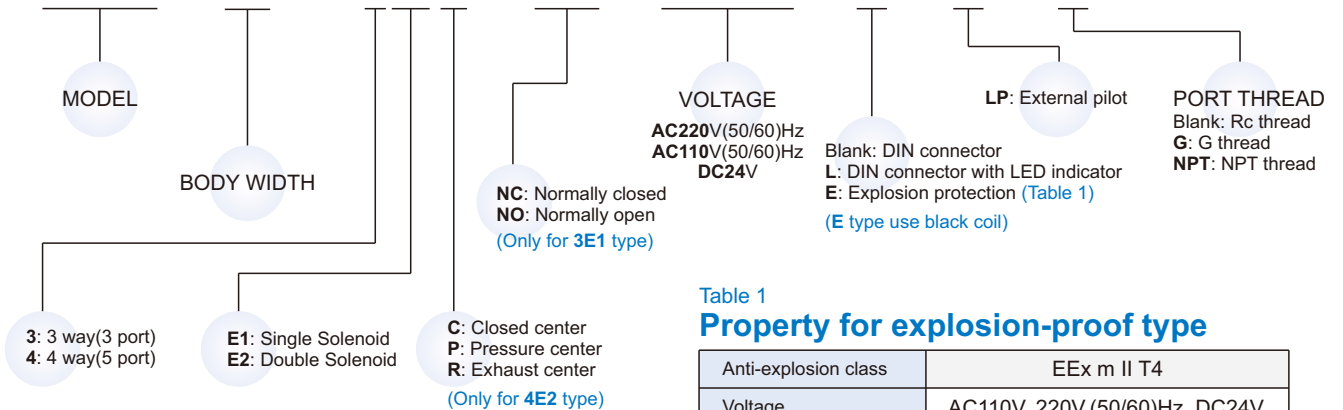
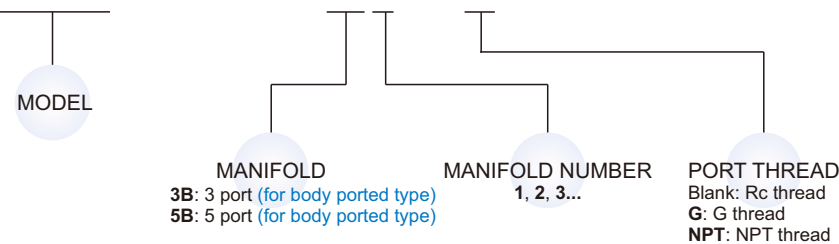


Table 1  
**Property for explosion-proof type**

Anti-explosion class	EEx m II T4
Voltage	AC110V, 220V.(50/60)Hz, DC24V.
Power consumption	AC=4.4VA DC=5W
Available voltage range	± 10%
Insulation class	F class

### Order example of manifold

**MVSC – 300 – 3B3 – G**

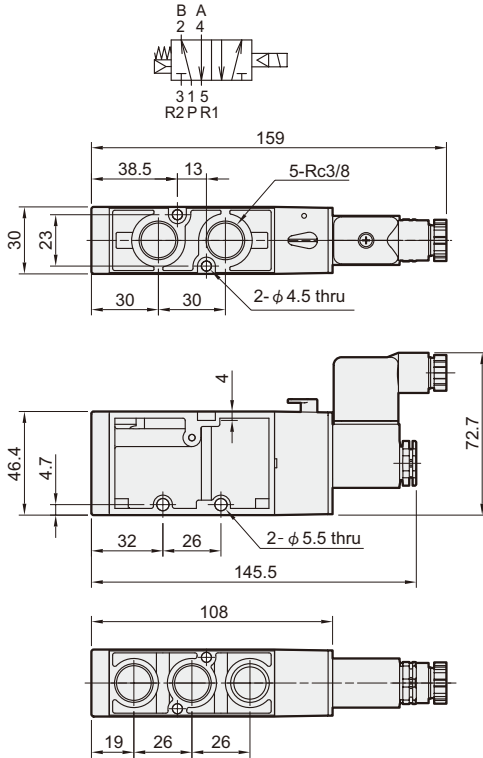


# MVSC-300 Dimensions

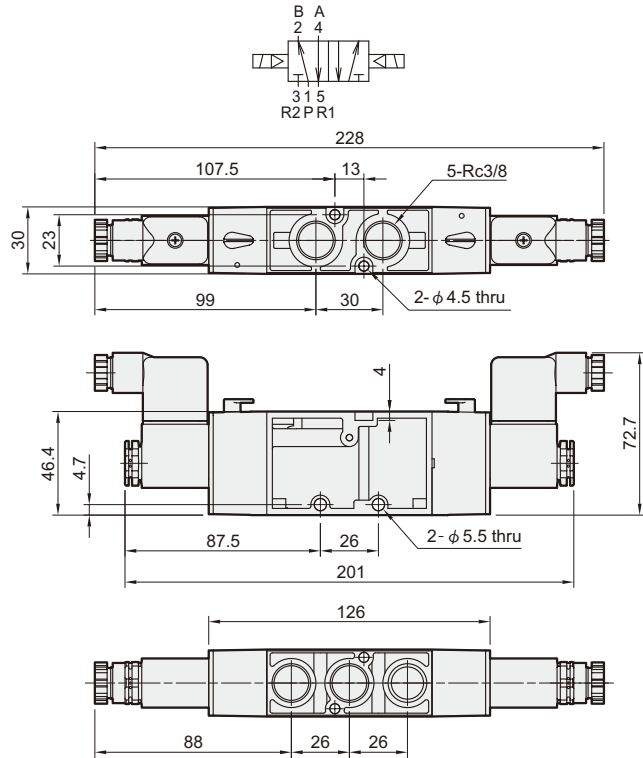
## SOLENOID VALVE



### MVSC-300-4E1

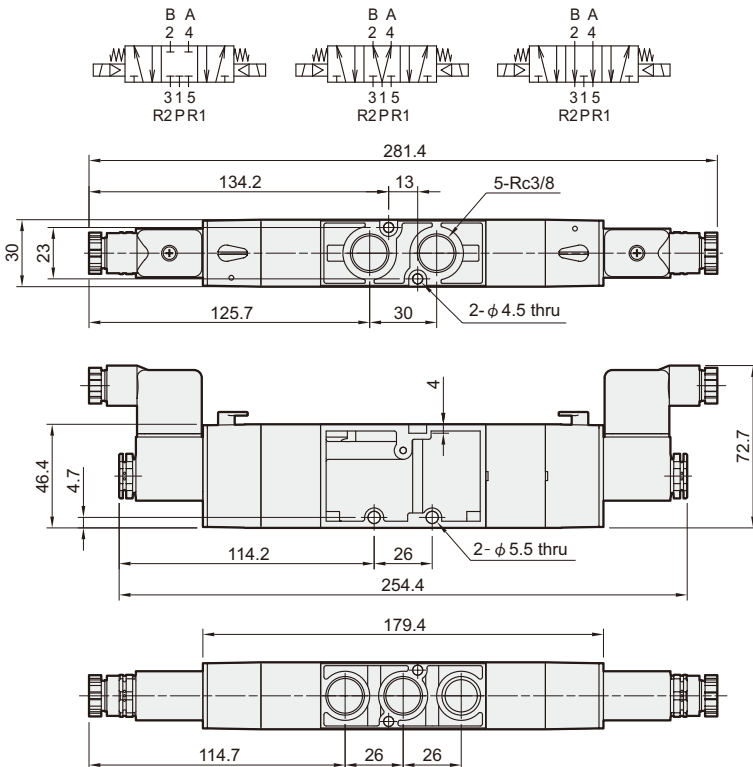


### MVSC-300-4E2

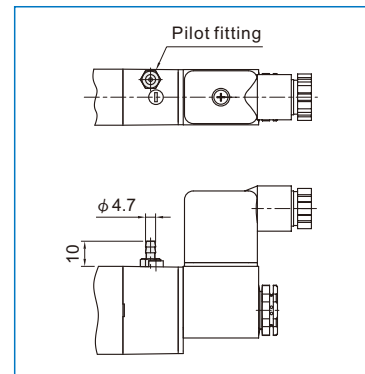


### MVSC-300-4E2C.PR

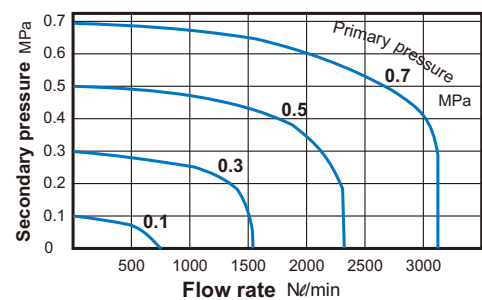
#### MVSC-300-4E2C MVSC-300-4E2P MVSC-300-4E2R



### LP



### Flow features

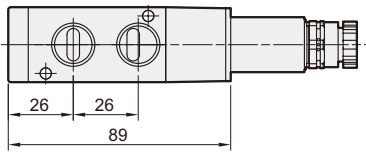
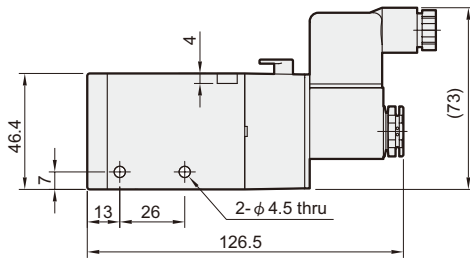
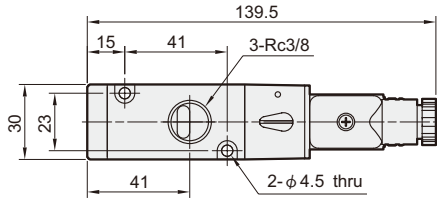


# MVSC-300 Dimensions

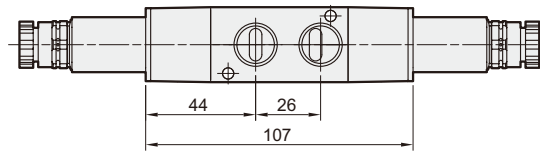
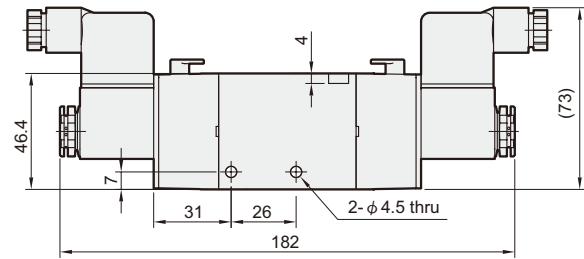
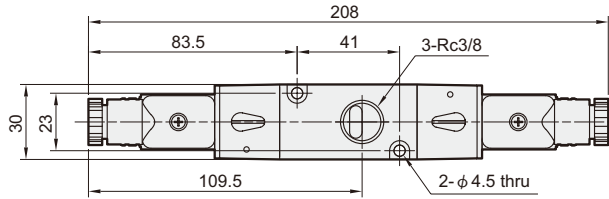
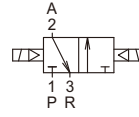
## SOLENOID VALVE



### MVSC-300-3E1-NC/NO



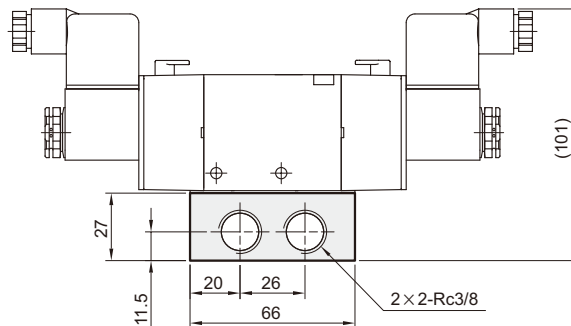
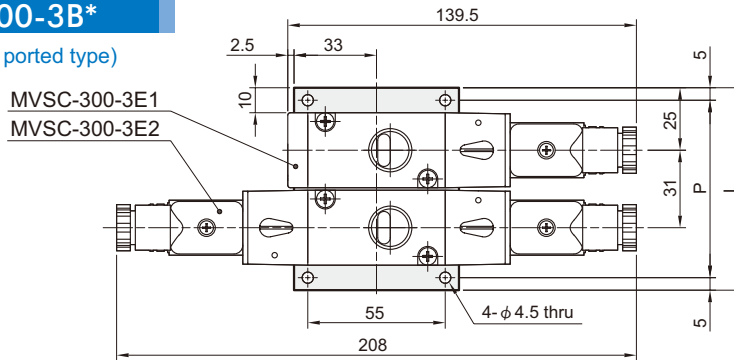
### MVSC-300-3E2



## Manifold of solenoid valve

### MVSC-300-3B\*

3 port (for body ported type)



No. of stations	P	L
2	71	81
3	102	112
4	133	143
5	164	174
6	195	205
7	226	236
8	257	267
9	288	298
10	319	329

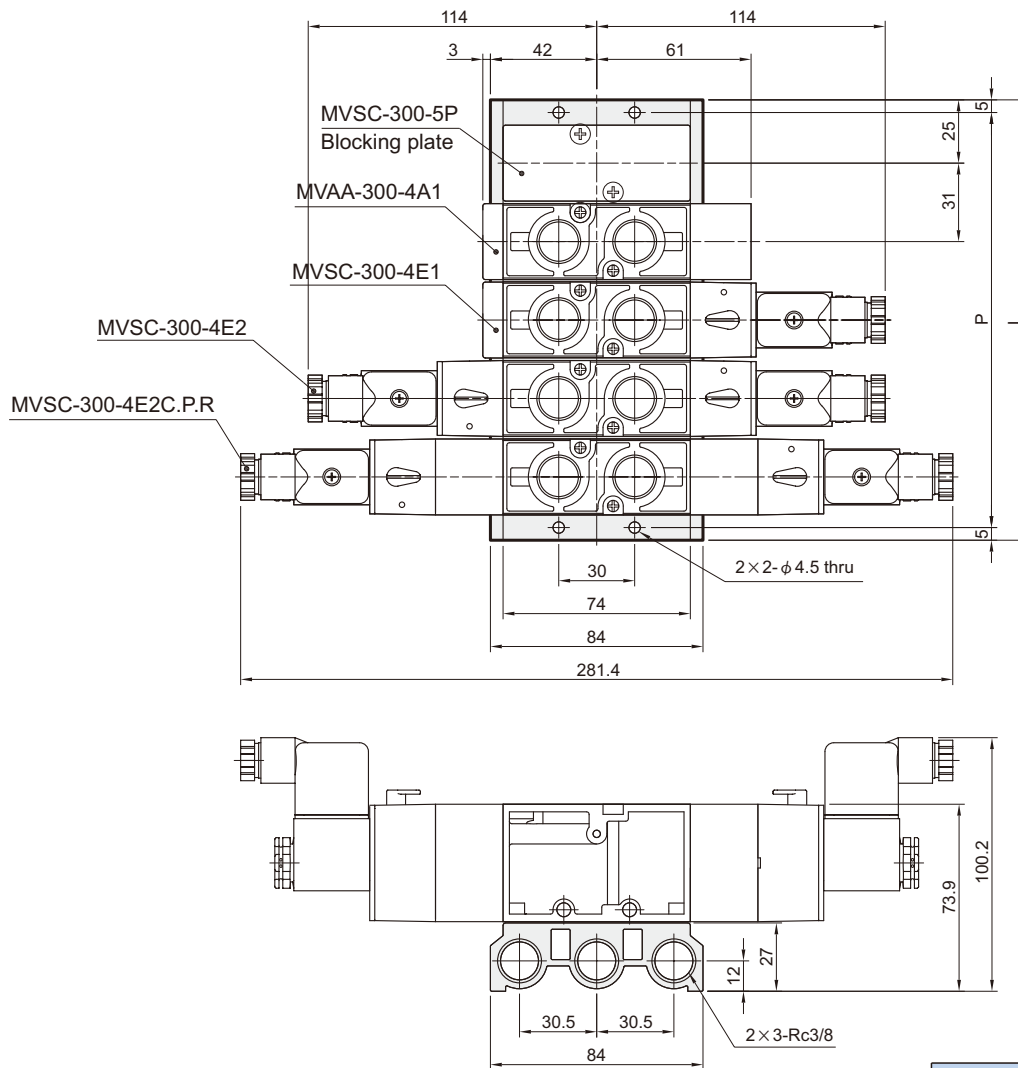
# MVSC-300 Manifold

## SOLENOID VALVE



### MVSC-300-5B\*

5 port (for body ported type)



No. of stations	P	L
2	71	81
3	102	112
4	133	143
5	164	174
6	195	205
7	226	236
8	257	267
9	288	298
10	319	329