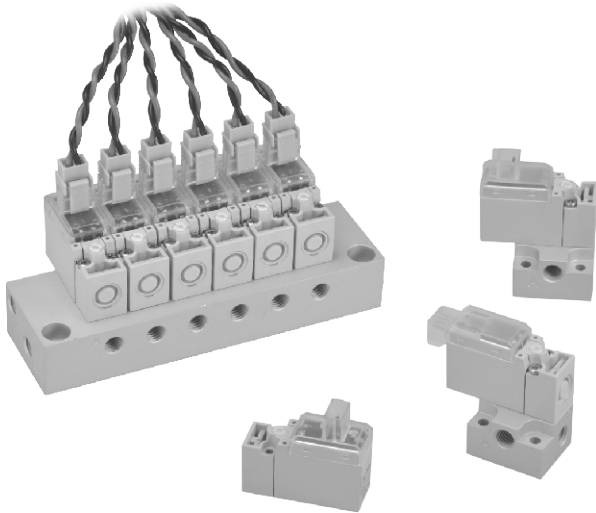


MVDY-100 series

SOLENOID VALVE (DIRECT OPERATED TYPE)



mindman



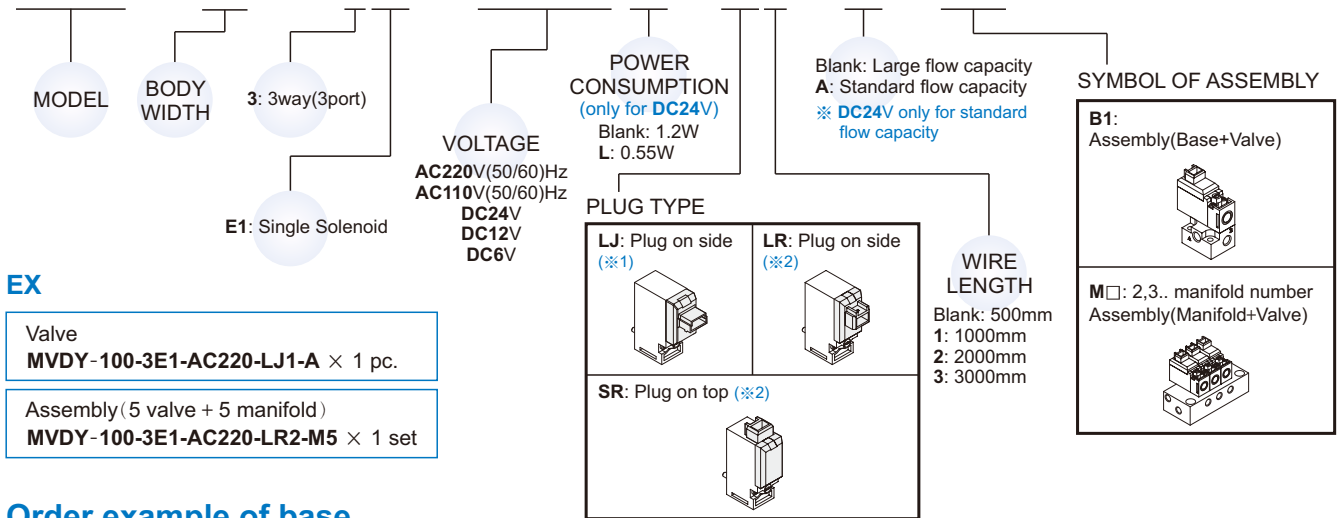
Specification

Model	3E1	3E1-**-A	3E1-DC24L-A
No. of port	3		
No. of position	2		
Medium	Air		
Operating pressure range	0~0.7 MPa	0~0.9 MPa	0~0.85 MPa
Proof pressure	1 MPa		
Effective orifice	P → A1	0.28 mm ²	0.09 mm ²
	P → A2	0.23 mm ²	0.1 mm ²
Response time	DC: 4 ms, AC: 20 ms		
Ambient temperature	+5~+50℃		
Voltage	AC110V, AC220V(50/60)Hz, DC6/12/24V		DC24V
Power consumption	AC=1.6 / 2.5VA ; DC=1.2W		0.55W
Available voltage range	±10%		
Insulation class	B class		
Weight	12 g		

※ Pressure is 0.5 MPa, at rated voltage.
 ※ LED indicator as standard.

Order example of valve

MVDY - 100 - 3E1 - AC110 □ - LJ1 - A - M3



EX

Valve
MVDY-100-3E1-AC220-LJ1-A × 1 pc.

Assembly (5 valve + 5 manifold)
MVDY-100-3E1-AC220-LR2-M5 × 1 set

Order example of base

MVDY - 100 - 3B1

MODEL
MVDY-100

BASE
3B: 3 port base

Order example of manifold

MVDY - 100 - 3M2

MODEL
MVDY-100

MANIFOLD
3M: 3 port (for manifold type)

MANIFOLD NUMBER
2, 3, 4.....

Order example of wire

MVDY - 100 - WA2J2

MODEL
MVDY-100

VOLTAGE
A2: AC220V(50/60)Hz
A1: AC110V(50/60)Hz
D: DC24V/12V/6V

WIRE
J: JPC type
R: RMH type

WIRE LENGTH
Blank: 500mm
1: 1000mm
2: 2000mm
3: 3000mm

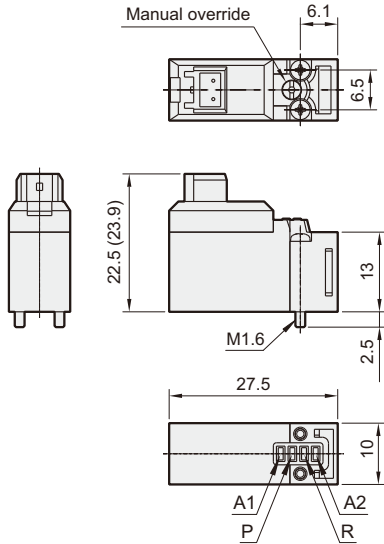
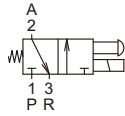
MVDY-100 Dimensions / Manifold

SOLENOID VALVE (DIRECT OPERATED TYPE)



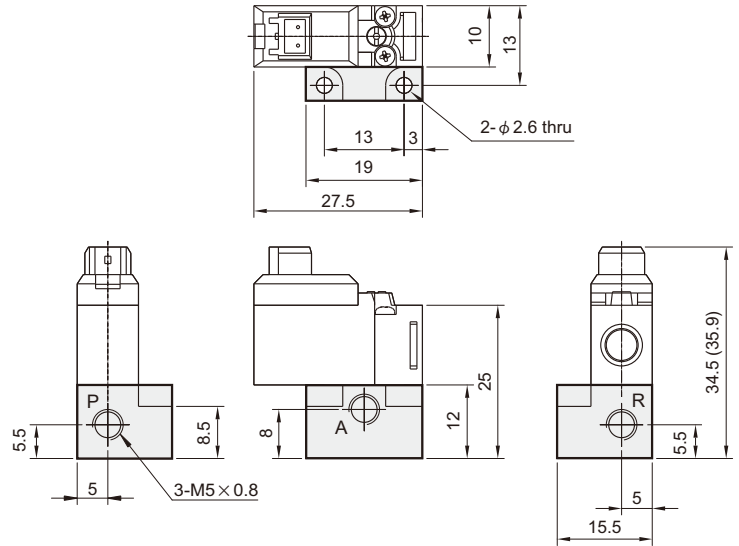
Mindman

MVDY-100-3E1



MVDY-100-3B1

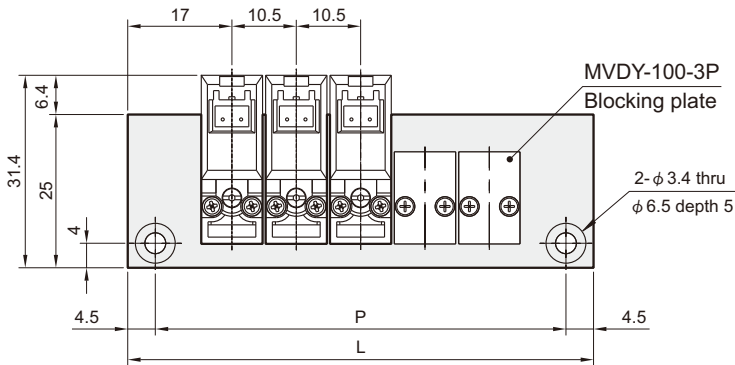
Base



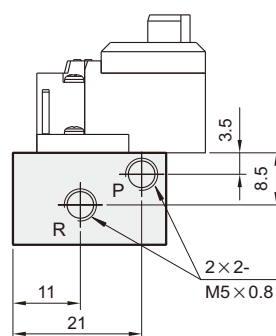
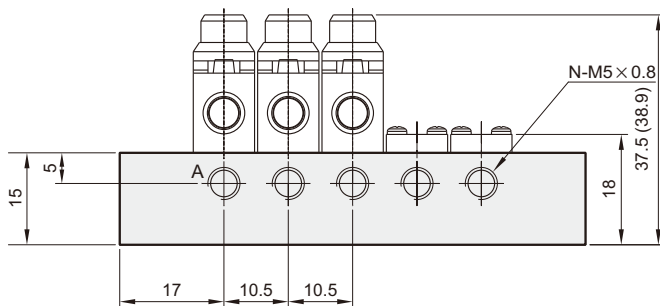
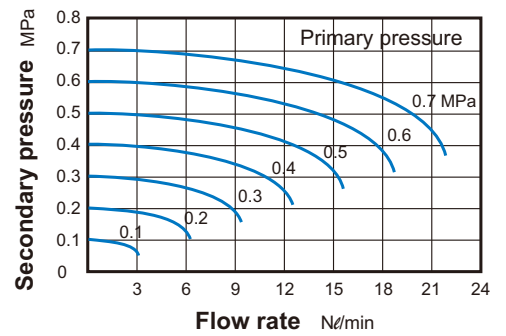
Manifold of solenoid valve

MVDY-100-3M*

3 port (for manifold type)



Flow features



No. of stations (N)	P	L
2	35.5	44.5
3	46	55
4	56.5	65.5
5	67	76
6	77.5	86.5
7	88	97
8	98.5	107.5
9	109	118
10	119.5	128.5

(): Dimension for LJ plug type.