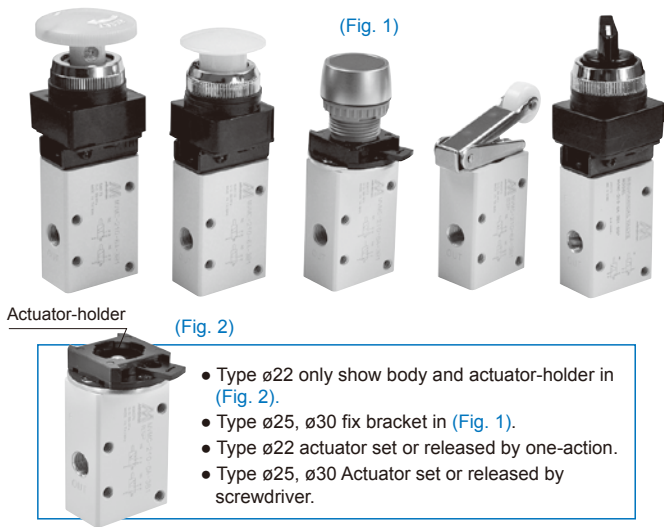


# MVMC-210 series

MECHANICAL VALVE



## Specification

Model	MVMC-210	
Bore No.	6A	8A
Port size	Rc1/8	Rc1/4
No. of port	3	
No. of position	2	
Medium	Air	
Operating pressure range	0~1 MPa	
Proof pressure	1 MPa	
Effective orifice	19 mm <sup>2</sup>	
Ambient temperature	-5~+60°C (No freezing)	
Weight	155 g	

## Order example

MVMC – 210 – 6A – 3EB – 25R – G

MODEL

BODY WIDTH

3: 3way (3 port)

BUTTON SIZE

BUTTON COLOR

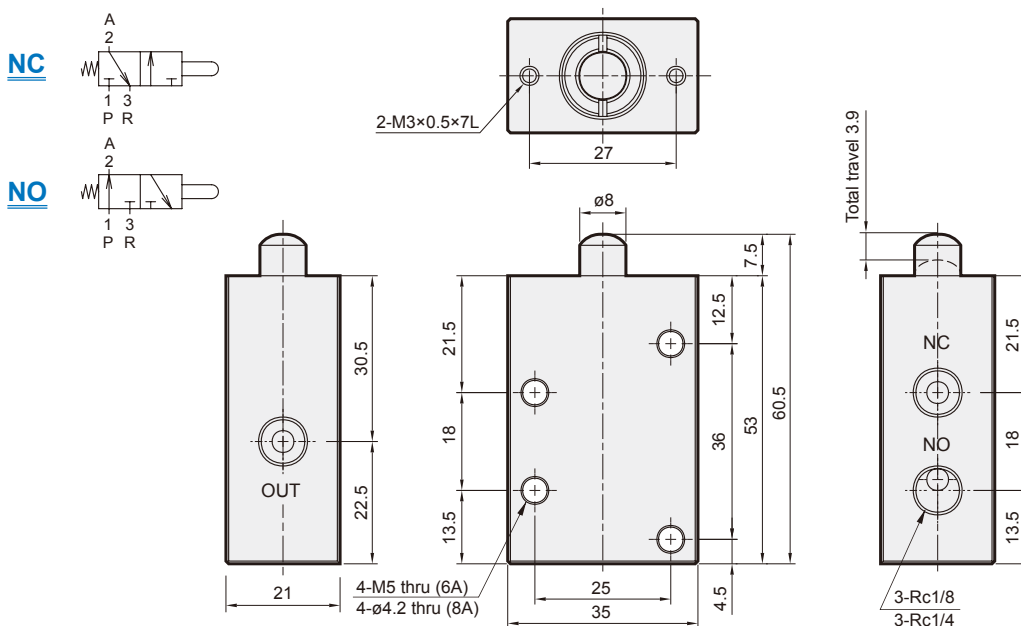
PORT THREAD  
Blank: Rc thread  
G: G thread  
NPT: NPT thread

BORE SIZE  
6A: Rc1/8  
8A: Rc1/4

B1: Body (without button)  
R1: Roller lever  
EB: Latching palm button  
LB: Extended twist button  
TB: Twist button  
PB: Mushroom palm button  
PP: Push button

Color	Type
—	B1 type R1 type
G: Green	EB type
R: Red	
B: Black	LB type TB type
B: Black	PB type PP type
G: Green	
R: Red	

## MVMC-210-3B1

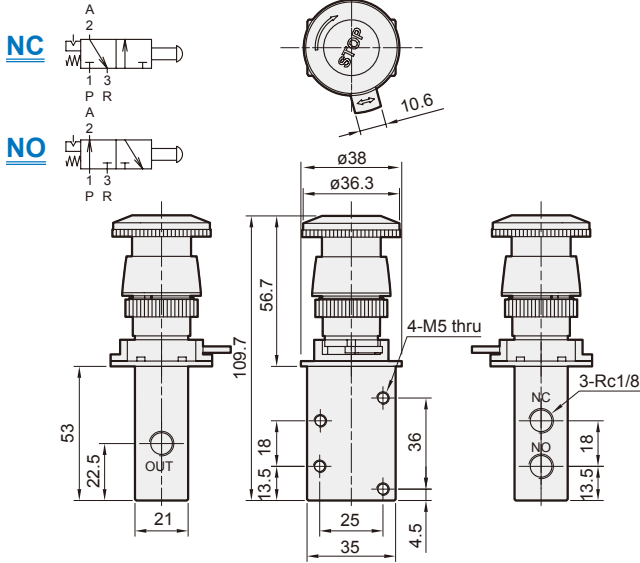


# MVMC-210 Dimensions

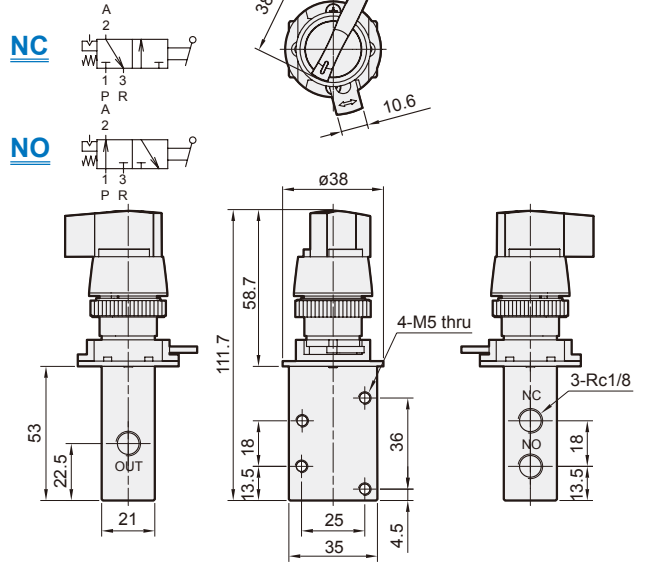
## MECHANICAL VALVE



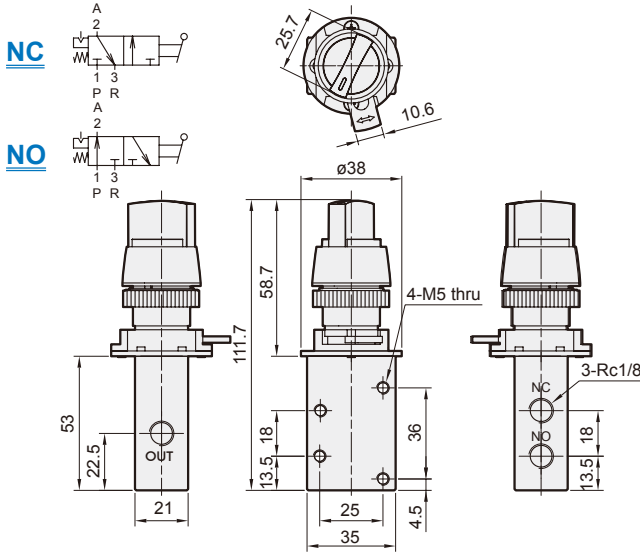
### 3EB-22



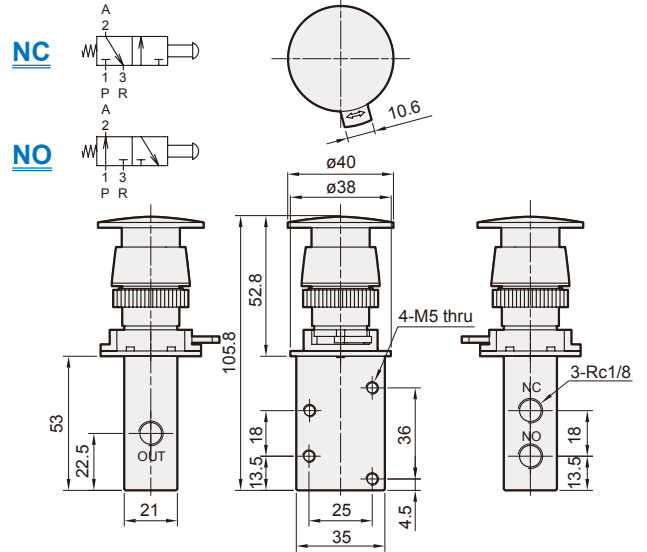
### 3LB-22



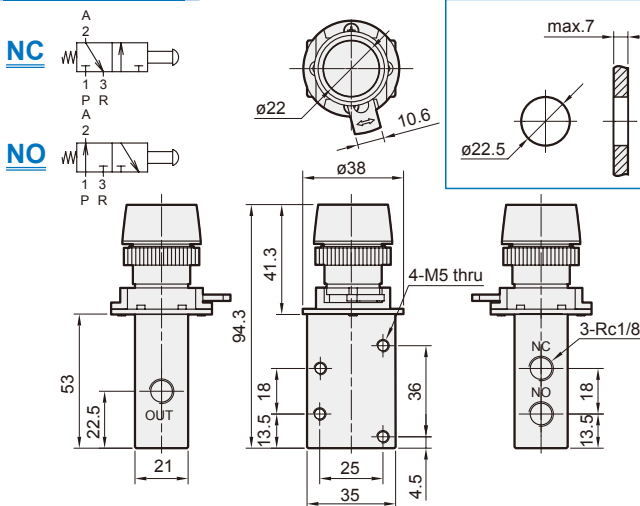
### 3TB-22



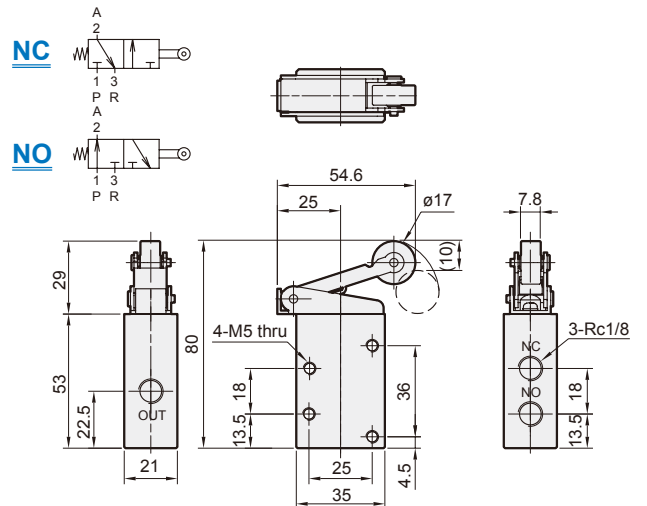
### 3PB-22



### 3PP-22



### 3R1

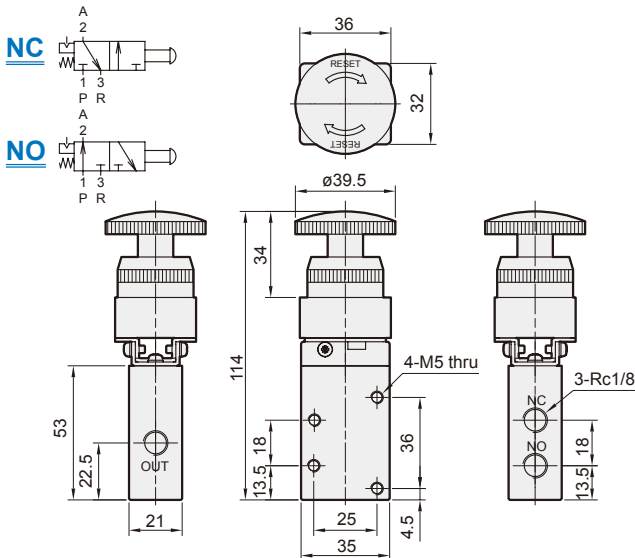


# MVMC-210 Dimensions

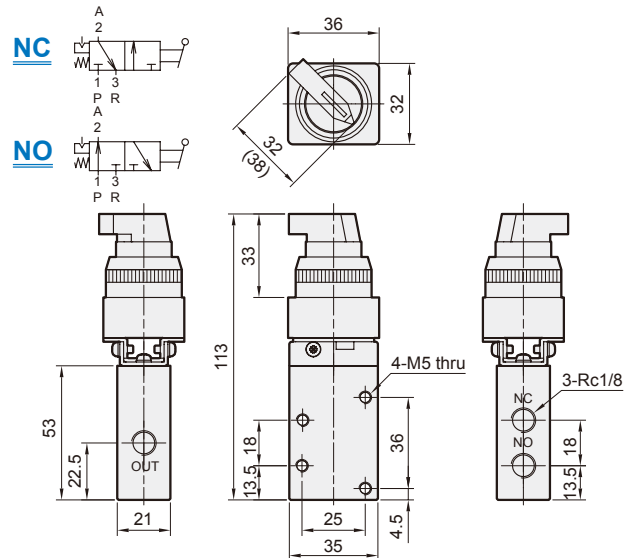
## MECHANICAL VALVE



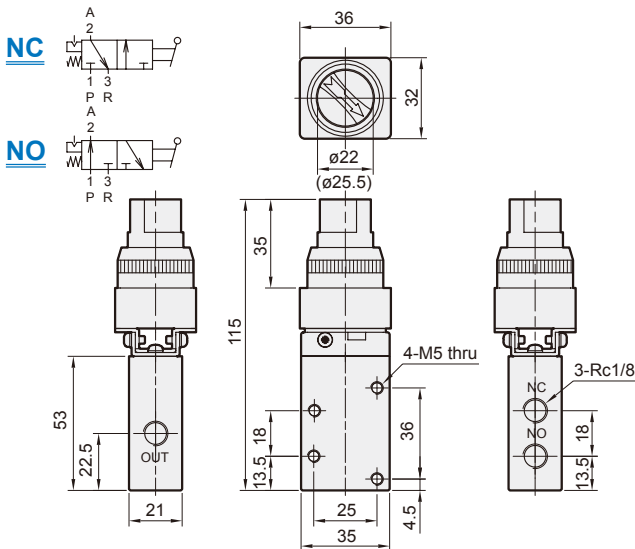
### 3EB-25/30



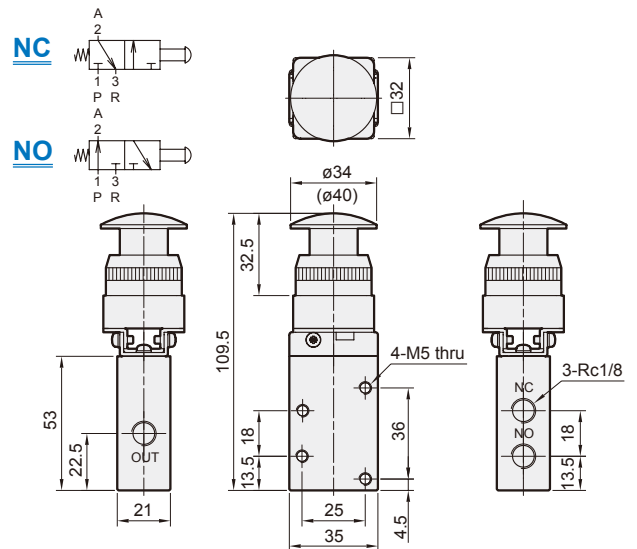
### 3LB-25/30



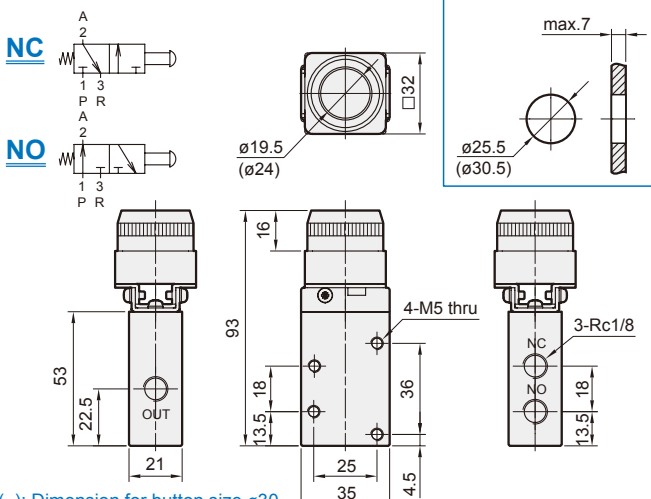
### 3TB-25/30



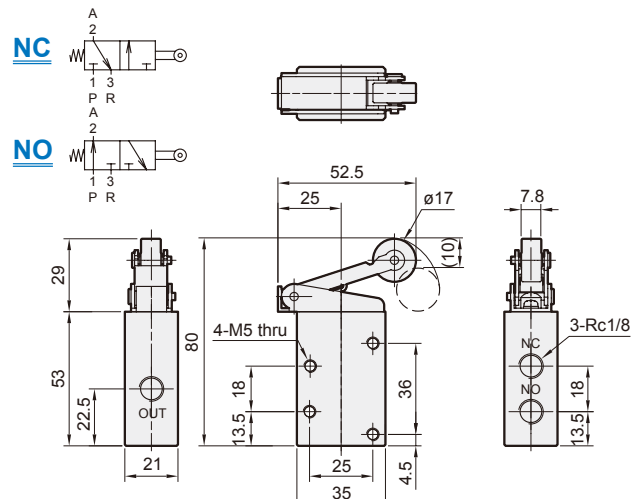
### 3PB-25/30



### 3PP-25/30



### 3R1



( ): Dimension for button size  $\phi 30$ .