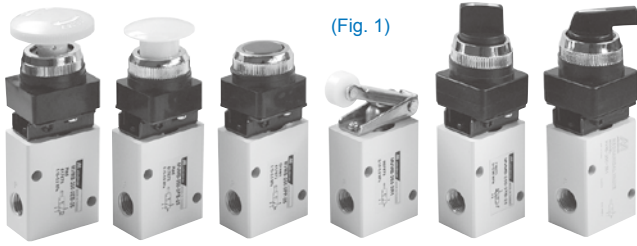


# MVMB-250 series

## MECHANICAL VALVE



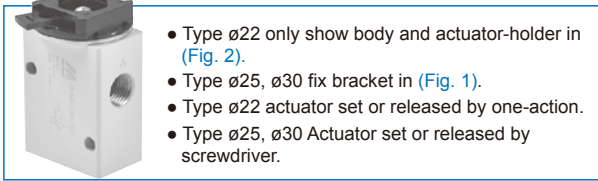
(Fig. 1)

### Specification

Model	MVMB-250
Bore No.	8A
Port size	Rc1/4
No. of port	2 or 3
No. of position	2
Medium	Air
Operating pressure range	0~1 MPa
Proof pressure	1 MPa
Effective orifice	18 mm <sup>2</sup>
Ambient temperature	-5~+60°C (No freezing)
Weight	193 g

Actuator-holder

(Fig. 2)



- Type  $\phi 22$  only show body and actuator-holder in (Fig. 2).
- Type  $\phi 25$ ,  $\phi 30$  fix bracket in (Fig. 1).
- Type  $\phi 22$  actuator set or released by one-action.
- Type  $\phi 25$ ,  $\phi 30$  Actuator set or released by screwdriver.

### Order example

**MVMB – 250 – 3PB – 25B – G**

MODEL

BODY WIDTH

BUTTON SIZE

BUTTON COLOR

PORT THREAD

2: 2way (2 port)  
3: 3way (3 port)

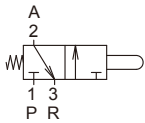
**B1:** Body (without button)  
**R1:** Roller lever  
**EB:** Latching palm button  
**LB:** Extended twist button  
**TB:** Twist button  
**PB:** Mushroom palm button  
**PP:** Push button

22:  $\phi 22$   
25:  $\phi 25$   
30:  $\phi 30$

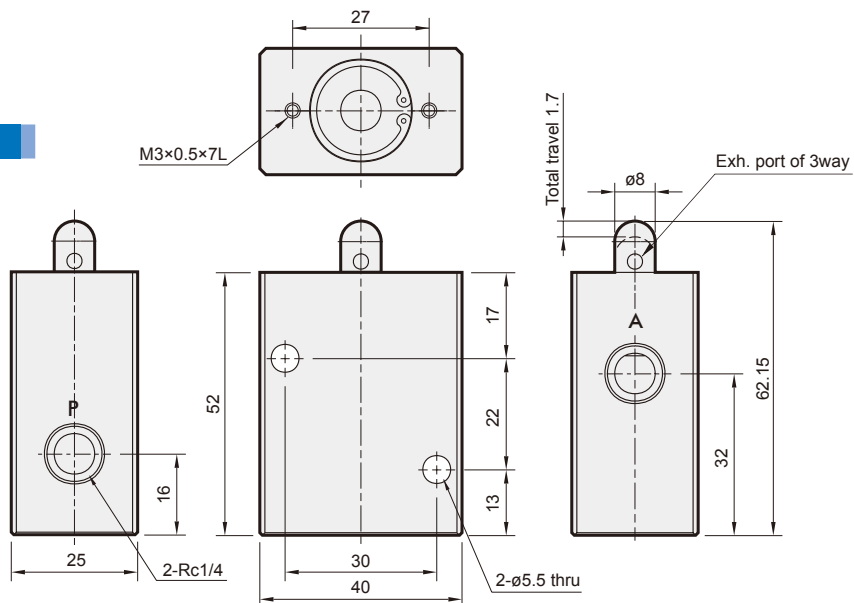
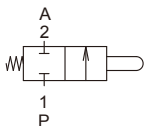
Color	Type
—	B1 type
<b>G:</b> Green	EB type
<b>R:</b> Red	
<b>B:</b> Black	LB type TB type
<b>B:</b> Black	
<b>G:</b> Green	PB type PP type
<b>R:</b> Red	

Blank: Rc thread  
**G:** G thread  
**NPT:** NPT thread

### MVMB-250-3B1



### MVMB-250-2B1



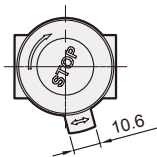
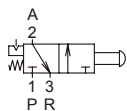
( ): for EB type

# MVMB-250 Dimensions

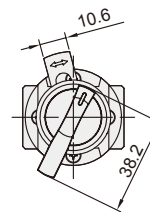
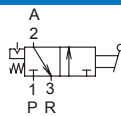
## MECHANICAL VALVE



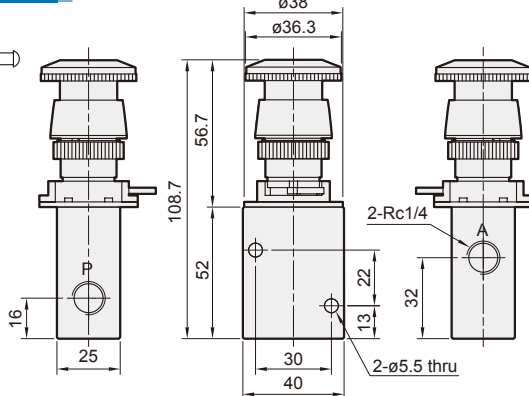
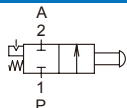
### 3EB-22



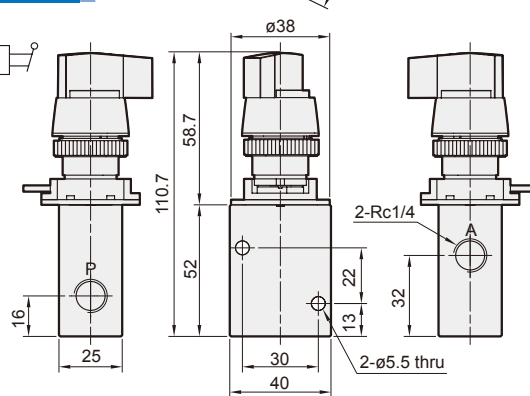
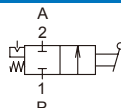
### 3LB-22



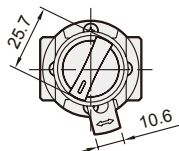
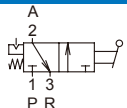
### 2EB-22



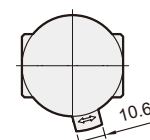
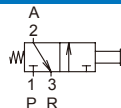
### 2LB-22



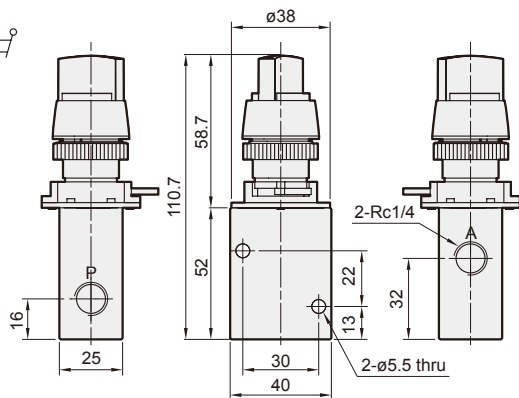
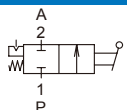
### 3TB-22



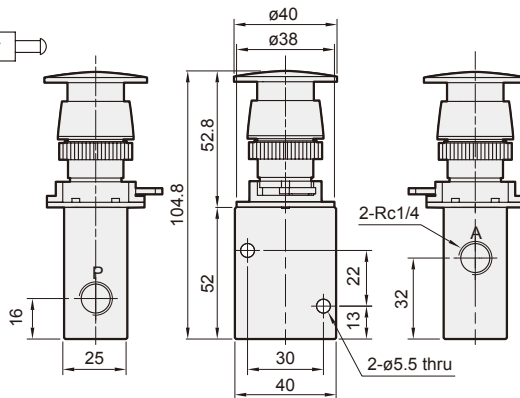
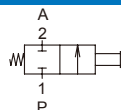
### 3PB-22



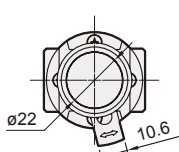
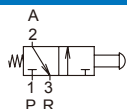
### 2TB-22



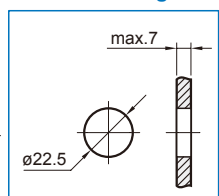
### 2PB-22



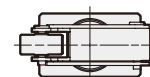
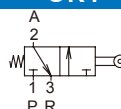
### 3PP-22



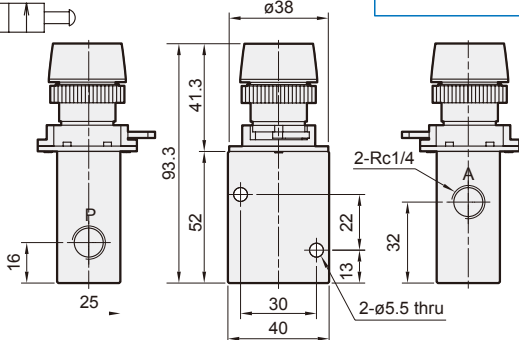
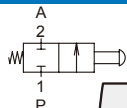
### Panel mounting hole



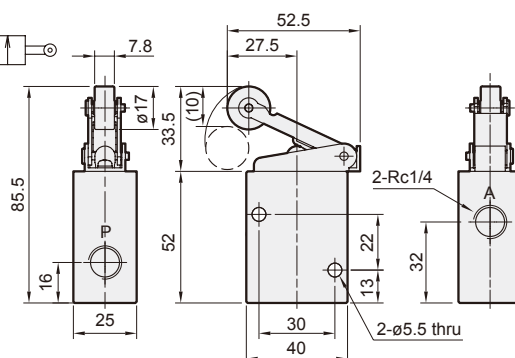
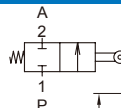
### 3R1



### 2PP-22



### 2R1

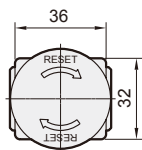
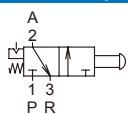


# MVMB-250 Dimensions

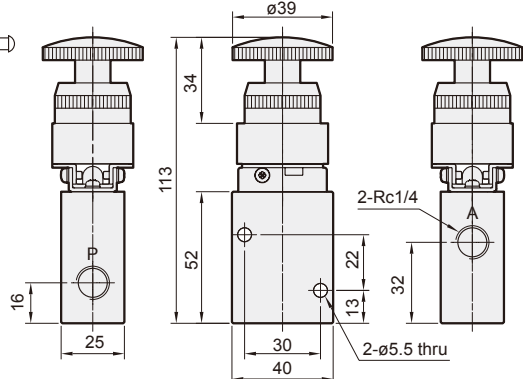
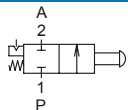
## MECHANICAL VALVE



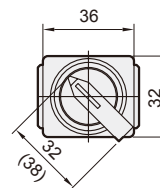
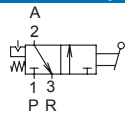
### 3EB-25/30



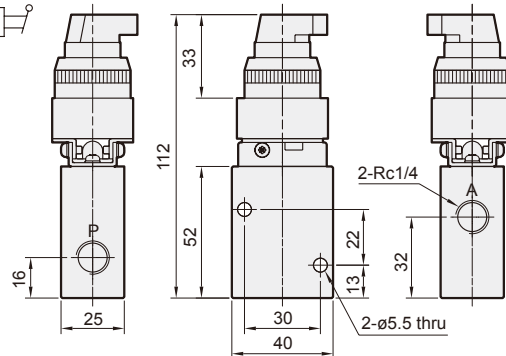
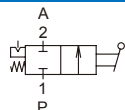
### 2EB-25/30



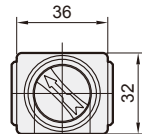
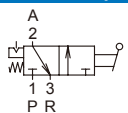
### 3LB-25/30



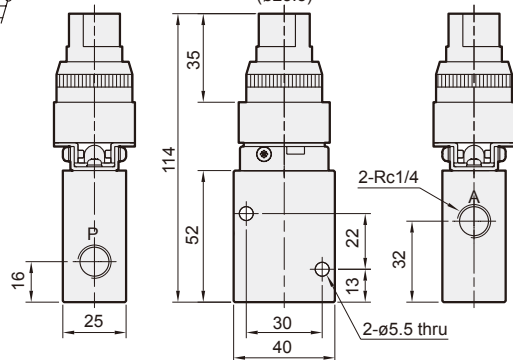
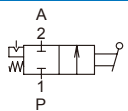
### 2LB-25/30



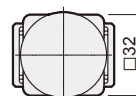
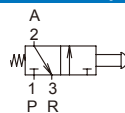
### 3TB-25/30



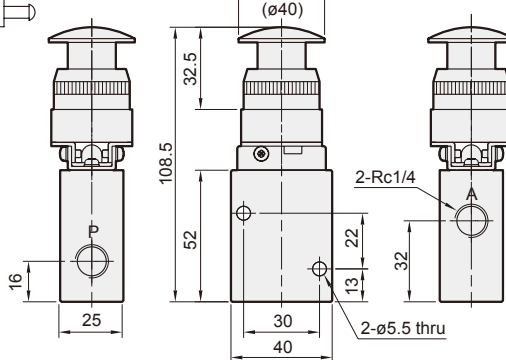
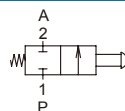
### 2TB-25/30



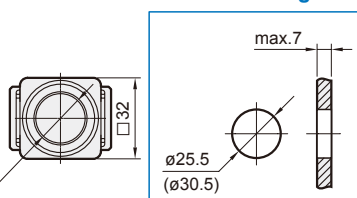
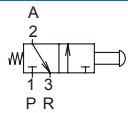
### 3PB-25/30



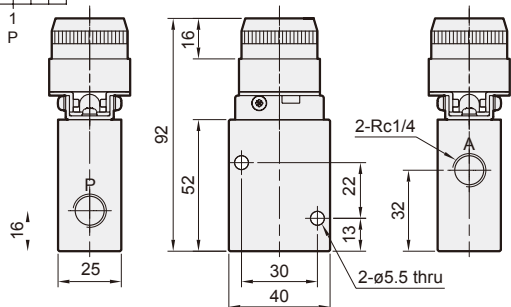
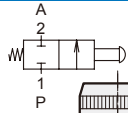
### 2PB-25/30



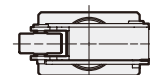
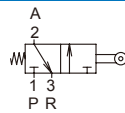
### 3PP-25/30



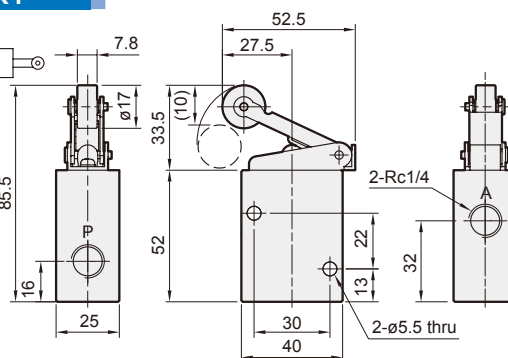
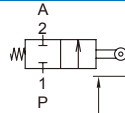
### 2PP-25/30



### 3R1



### 2R1



( ): Dimension for button size  $\phi 30$ .