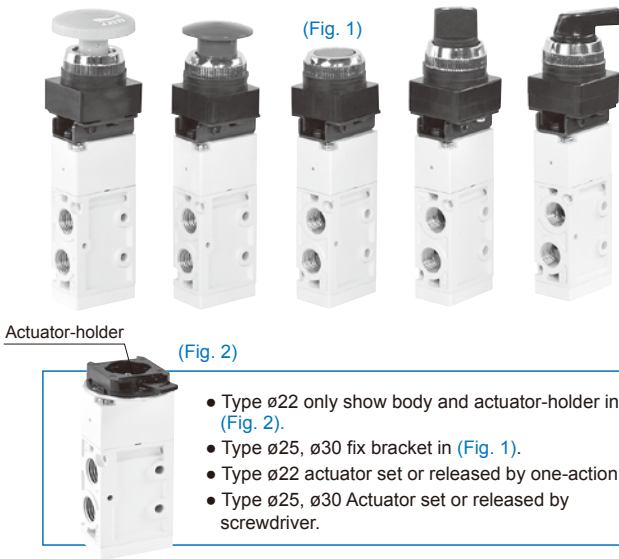


MVMB-220-4** series

MECHANICAL VALVE



Specification

Model	MVMB-220-4**
Bore No.	8A
Port size	Rc1/4
No. of port	5
No. of position	2
Medium	Air
Operating pressure range	0.15~0.8 MPa
Proof pressure	1 MPa
Effective orifice	18 mm ²
Ambient temperature	-5~+60°C (No freezing)
Weight	180 g

Order example

MVMB – 220 – 4EB – 25R – G

MODEL

BODY WIDTH

BUTTON SIZE

BUTTON COLOR

PORT THREAD

4: 4way (5 port)

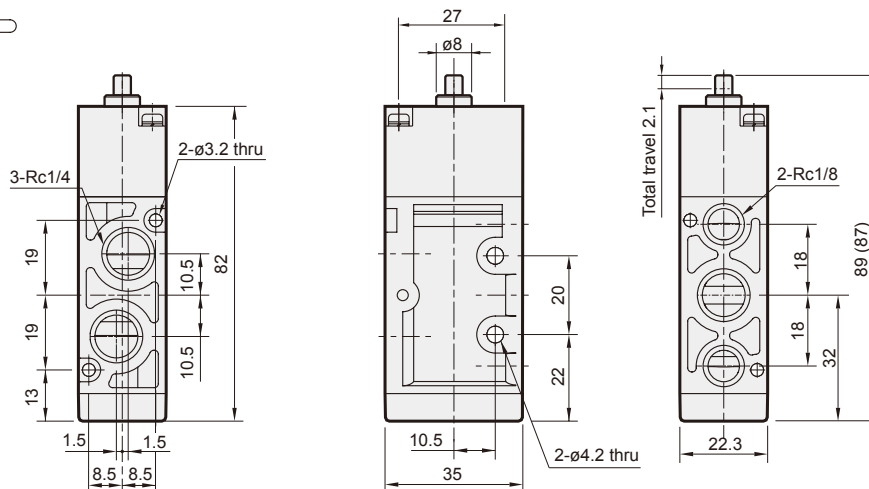
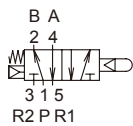
B1: Body (without button)
 EB: Latching palm button
 LB: Extended twist button
 TB: Twist button
 PB: Mushroom palm button
 PP: Push button

22: $\varnothing 22$
 25: $\varnothing 25$
 30: $\varnothing 30$

Color	Type
—	B1 type
G: Green	EB type
R: Red	
B: Black	LB type TB type
B: Black	
G: Green	PB type PP type
R: Red	

Blank: Rc thread
 G: G thread
 NPT: NPT thread

MVMB-220-4B1



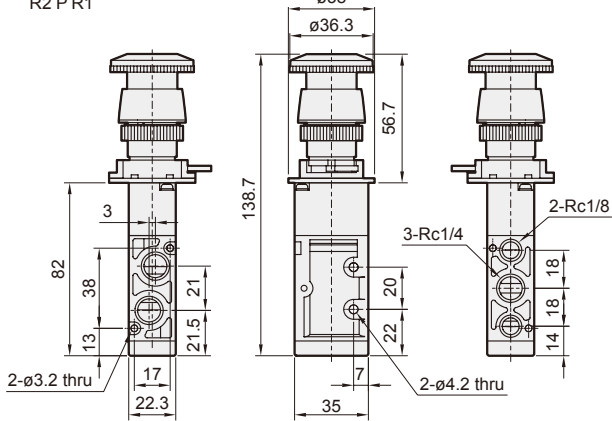
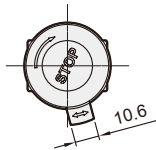
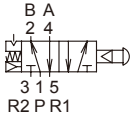
(): for EB type

MVMB-220-4** Dimensions

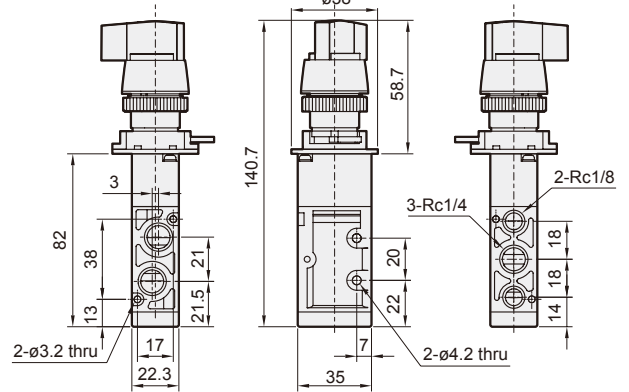
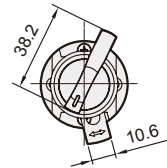
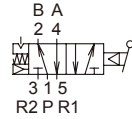
MECHANICAL VALVE



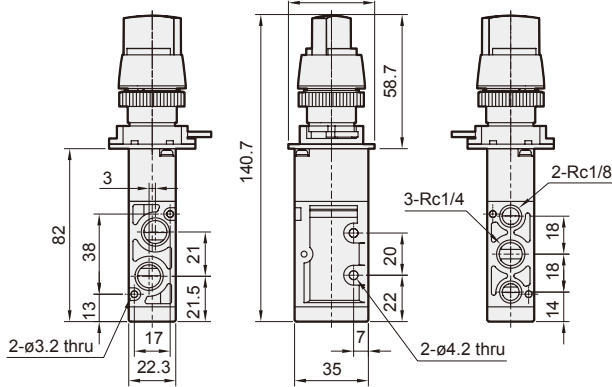
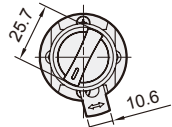
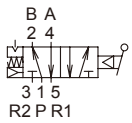
4EB-22



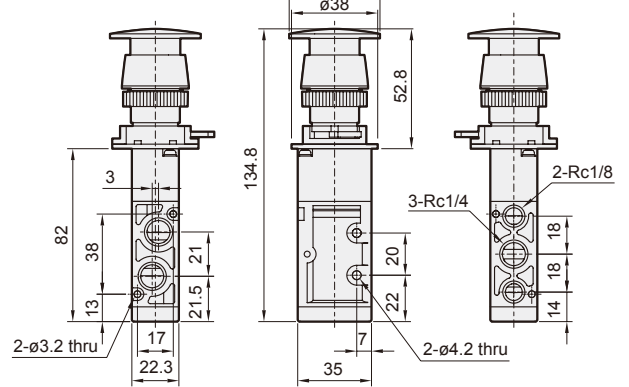
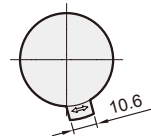
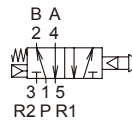
4LB-22



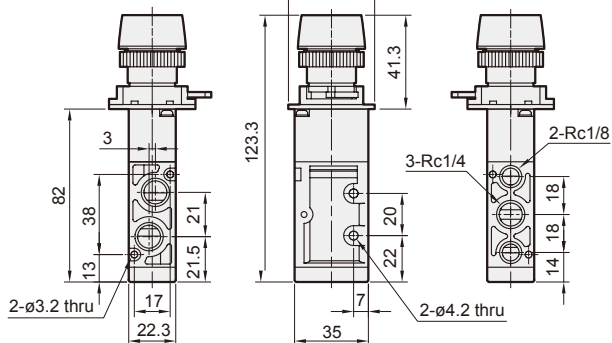
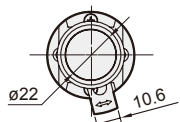
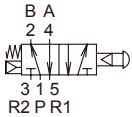
4TB-22



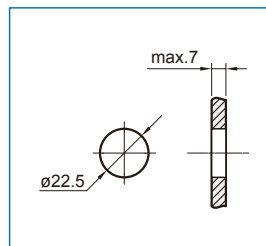
4PB-22



4PP-22



Panel mounting hole

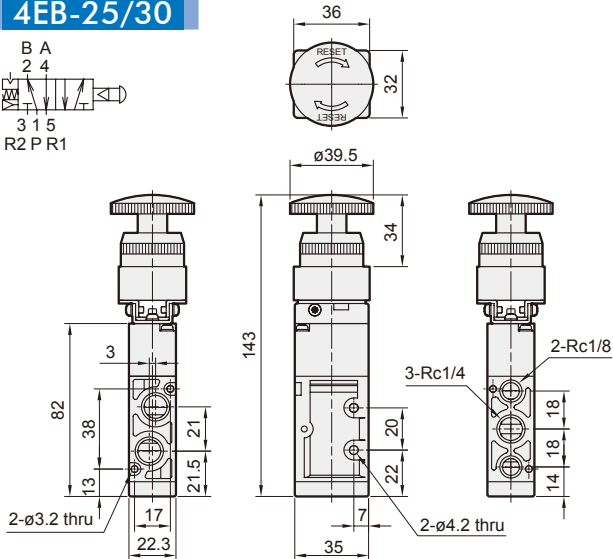
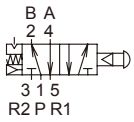


MVMB-220-4** Dimensions

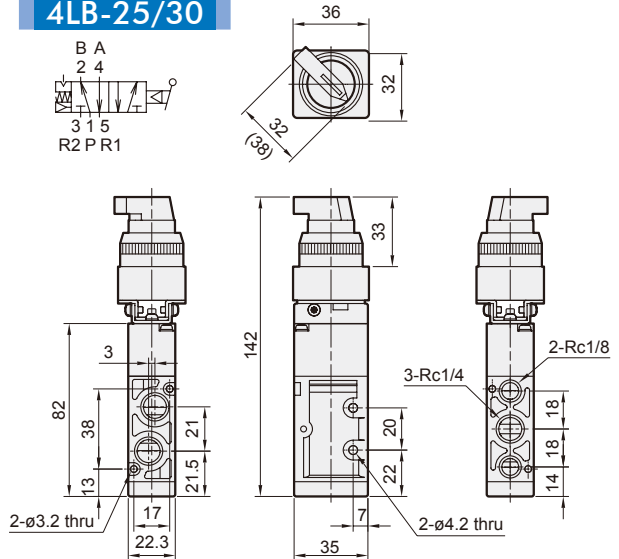
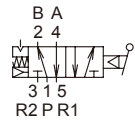
MECHANICAL VALVE



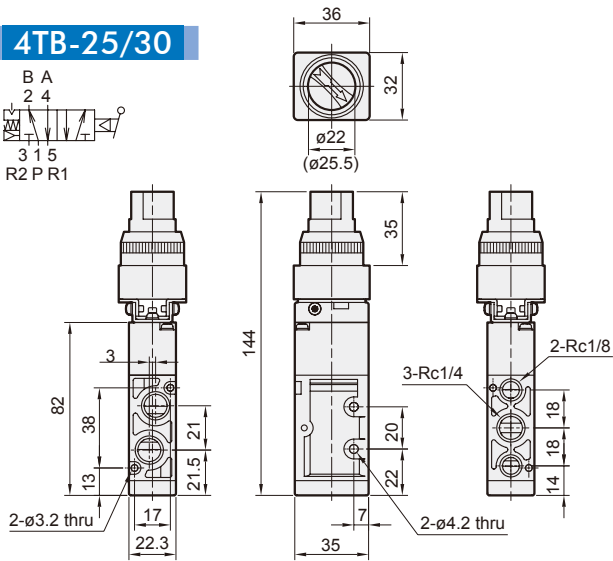
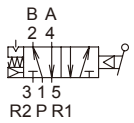
4EB-25/30



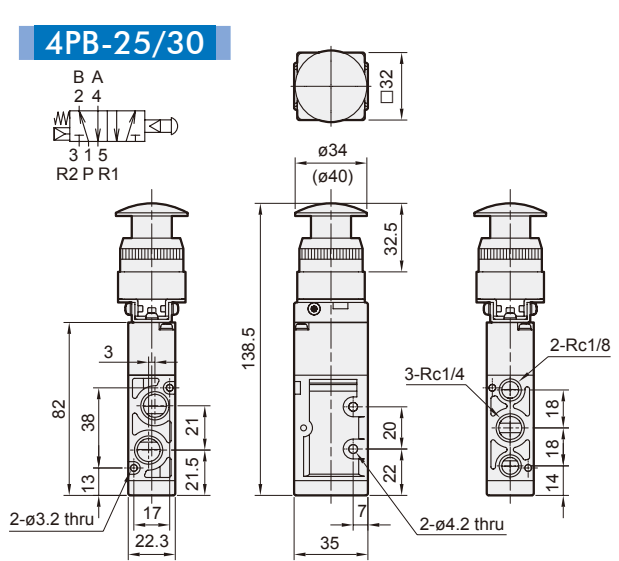
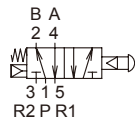
4LB-25/30



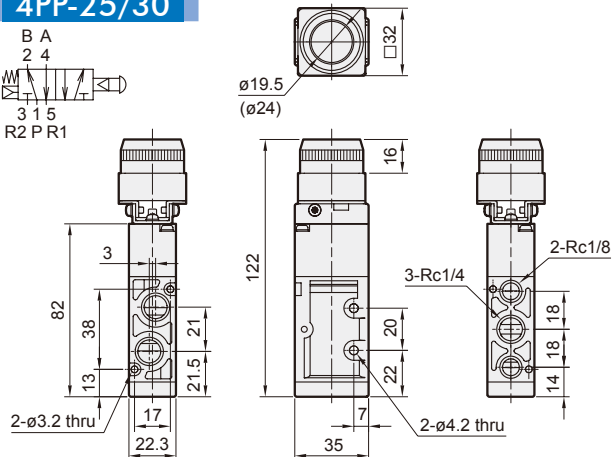
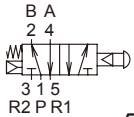
4TB-25/30



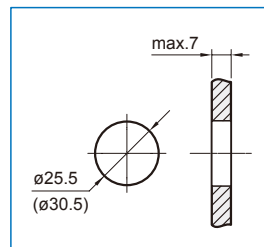
4PB-25/30



4PP-25/30



Panel mounting hole



() : Dimension for button size $\phi 30$.