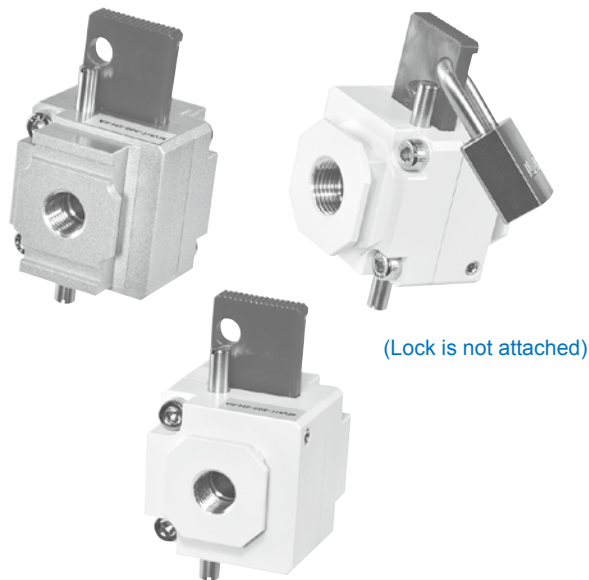


# MVHT series

## SHUTOFF VALVE



### Specification

Model	MVHT-300		MVHT-302, MVHT-400		
	8A	10A	8A	10A	15A
Bore No.	8A	10A	8A	10A	15A
Port size	Rc1/4	Rc3/8	Rc1/4	Rc3/8	Rc1/2
No. of port	3(2)				
No. of position	2				
Medium	Air				
Operating pressure range	0~1.5 MPa				
Proof pressure	2 MPa				
Ambient temperature	-5~+60°C (No freezing)				
Weight	230 g		249 g, 220 g		

### Order example

**MVHT - 300 - 3H - 8A - 1 - G**

MODEL

MODEL for F.R.L

300: for MA\*\*300 series  
302: for MA\*\*302 series  
400: for MA\*\*401, 403 series

8A: Rc1/4

10A: Rc3/8

15A: Rc1/2 (Only for MVHT-302 / 400)

PORT THREAD

Blank: Rc thread

G: G thread

NPT: NPT thread

2H: 2way(2port)

3H: 3way(3port)

(Residual pressure release)

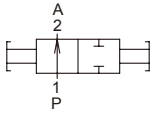
Apply to MVHT-400

1: Silver (For air unit 401 series)

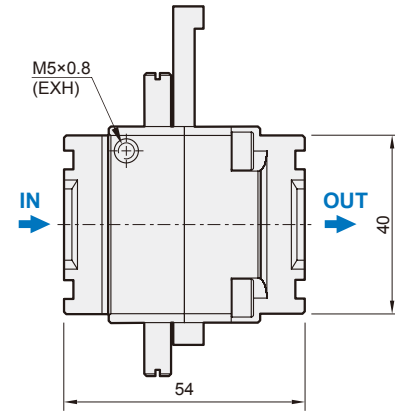
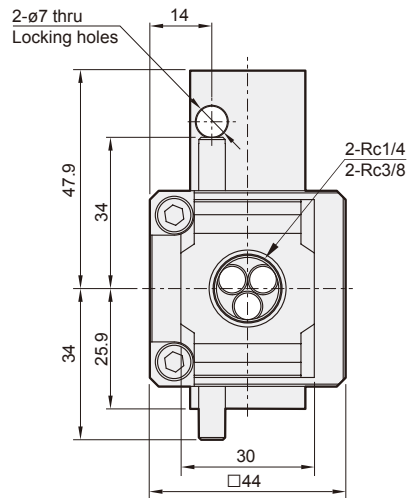
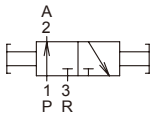
3: Cool gray (For air unit 401-W, 403 series)

### MVHT-300

2H

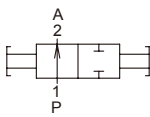


3H

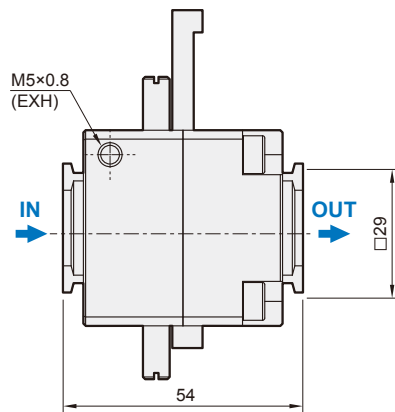
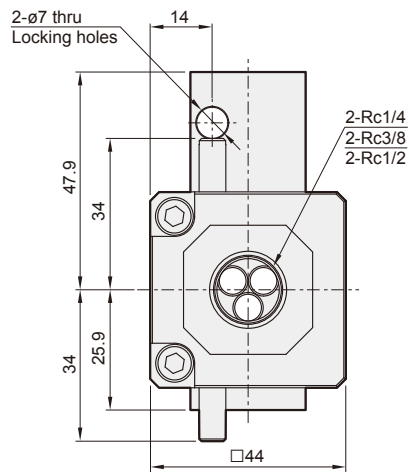
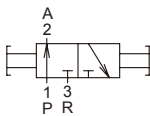


### MVHT-302

2H

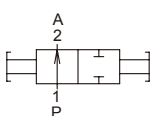


3H



### MVHT-400

2H



3H

