

MVHS series

HAND SLIDE VALVE



Mindman



Specification

Model	MVHS			
Bore No.	8A	10A	15A	20A
Port size	R1/4	R3/8	R1/2	R3/4
Medium	Air			
Operating pressure range	0.05~1 MPa			
Ambient temperature	-5~+60°C (No freezing)			
Weight	40 g	54 g	132 g	148 g

Order example

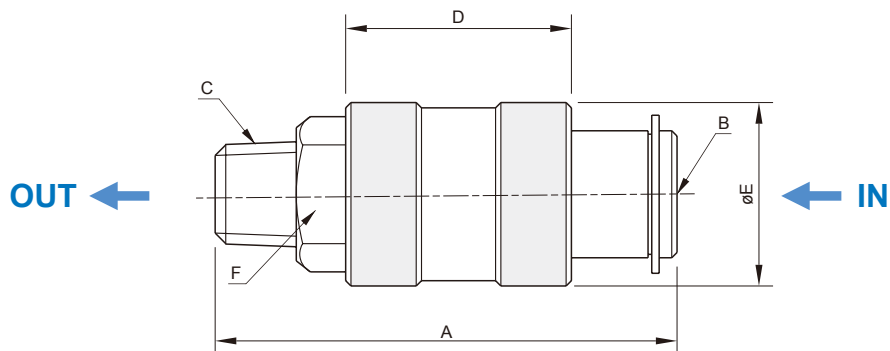
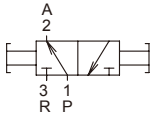
MVHS — 8A — G

MODEL

8A: R1/4
10A: R3/8
15A: R1/2
20A: R3/4

PORT THREAD
Blank: Rc thread
G: G thread
NPT: NPT thread

MVHS-*A



Code Model	A	B	C	D	E	F
MVHS-8A	58	Rc1/4	R1/4	32	25.5	∅19
MVHS-10A	57	Rc3/8	R3/8	32	31.5	∅22
MVHS-15A	91	Rc1/2	R1/2	49	38.5	∅27
MVHS-20A	91	Rc3/4	R3/4	49	42	∅35