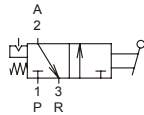


(Lock is not attached)

Symbol

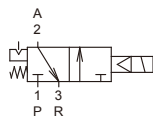


Specification – Manual type

Model	MVHR-300		MVHR-302 / 400		
	8A	10A	8A	10A	15A
Bore No.	8A	10A	8A	10A	15A
Port size	Rc1/4	Rc3/8	Rc1/4	Rc3/8	Rc1/2
No. of port	3				
No. of position	2				
Medium	Air				
Operating pressure range	0.1~1 MPa				
Proof pressure	1.5 MPa				
Ambient temperature	-5~+60°C (No freezing)				
Weight	323g		304g / 311g		



Symbol



Specification – Solenoid type

Model	MVHR-300S		MVHR-302S / 400S		
	8A	10A	8A	10A	15A
Bore No.	8A	10A	8A	10A	15A
Port size	Rc1/4	Rc3/8	Rc1/4	Rc3/8	Rc1/2
No. of port	3				
No. of position	2				
Medium	Air				
Operating pressure range	0.15~1 MPa				
Proof pressure	1.5 MPa				
Ambient temperature	-5~+60°C (No freezing)				
Voltage	AC110V, 220V (50/60)Hz, DC24V				
Power consumption	AC=4.8/4.4VA, 6/4.9VA, DC=2W				
Available voltage range	±10%				
Insulation class	F class				
Weight	397g		378g / 385g		

Order example

MVHR – 300□ – 3H – 8A – 1 – DC24 – □ – B – G

MODEL

CONTROL MODEL
Blank: Manual type
S: Solenoid type

MODEL for F.R.L
300: for MA**300 series
302: for MA**302 series
400: for MA**401, 403 series

8A: Rc1/4
10A: Rc3/8
15A: Rc1/2 (Only for MVHR-302 / 400)

VOLTAGE
*Only for solenoid type
AC220V(50/60)Hz
AC110V(50/60)Hz
DC24V

BRACKET
Blank: Without
B: With bracket

PORT THREAD
Blank: Rc thread
G: G thread
NPT: NPT thread

*Only for solenoid type

Blank: DIN connector
L: DIN connector with LED indicator

E: Explosion protection (Table 1) (E type use black coil)

3H: 3way(3port)
(Residual pressure release)

Apply to MVHR-400

1: Silver (For air unit 401 series)

3: Cool gray (For air unit 401-W, 403 series)

Order example of bracket

MVHR – 302 – B

BRACKET

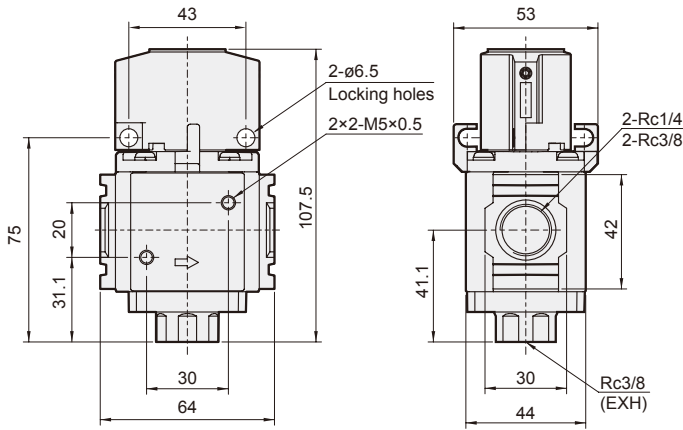
* 300, 302 and 400 use the same bracket.

Table 1

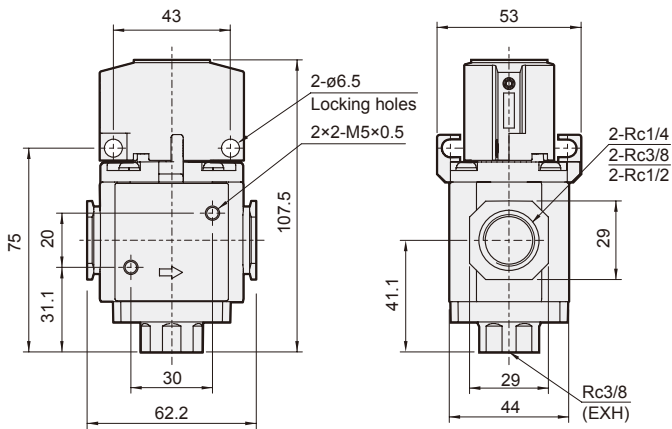
Property for explosion-proof type

Anti-explosion class	EEx m II T4
Voltage	AC110V, 220V, (50/60)Hz, DC24V.
Power consumption	AC=4.4VA DC=5W
Available voltage range	±10%
Insulation class	F class
Wire length	3 m

MVHR-300

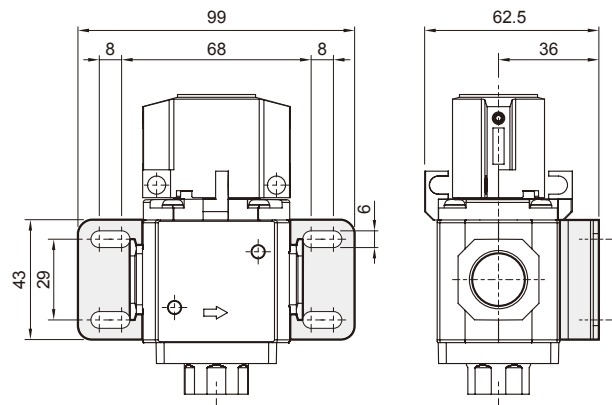


MVHR-302

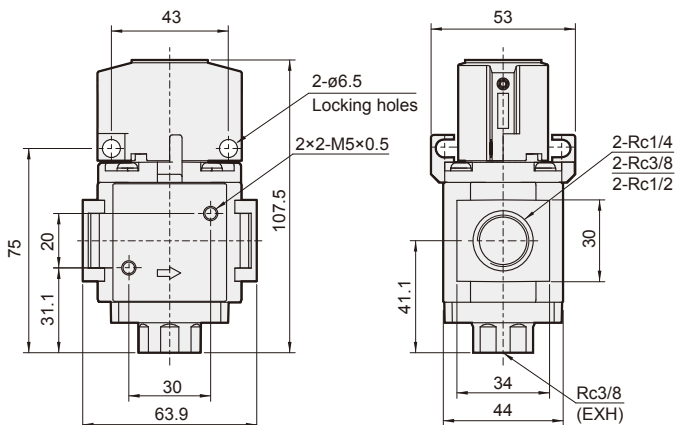


MVHR-*-B

Bracket



MVHR-400

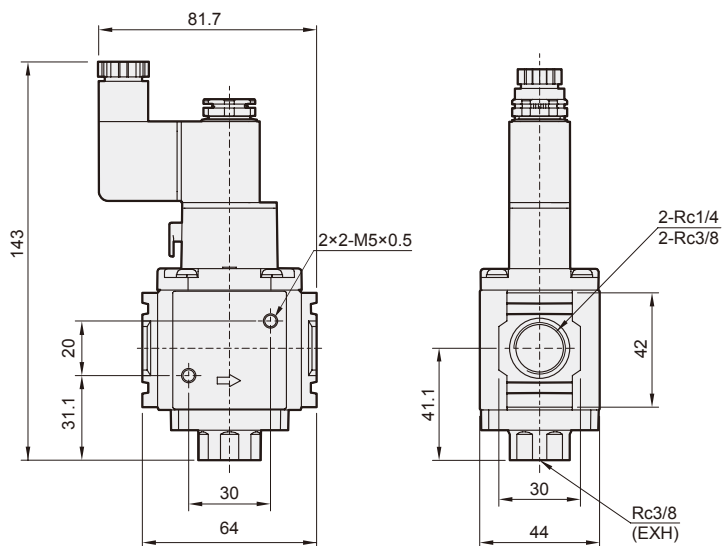


MVHR Dimensions – Solenoid type

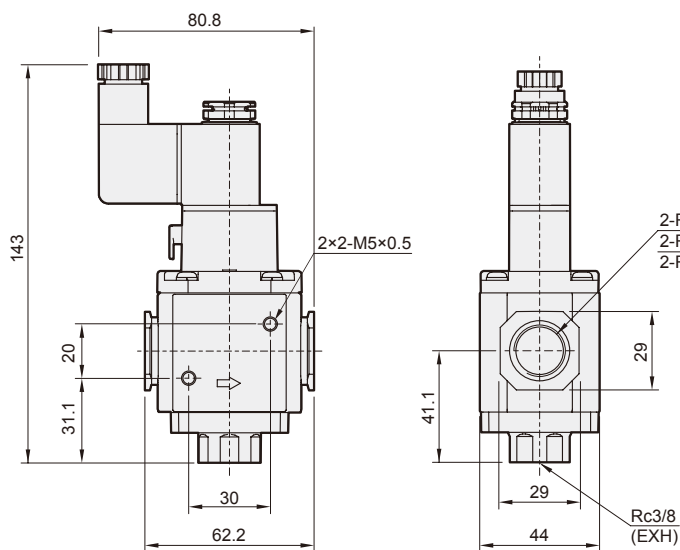


ON-OFF VALVE

MVHR-300S

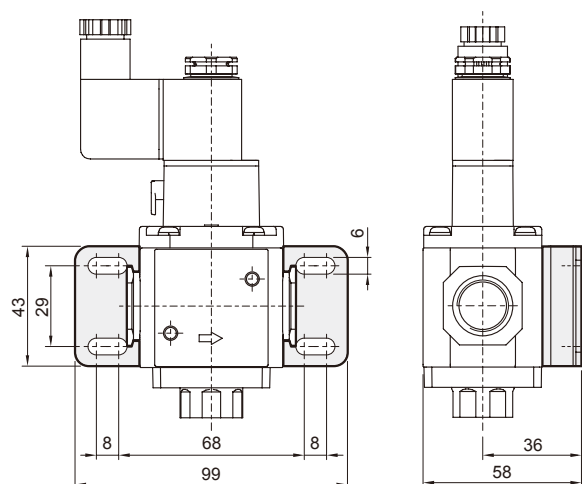


MVHR-302S



MVHR-*S-*-B

Bracket



MVHR-400S

