

MVHD-220 series

HAND LEVER VALVE



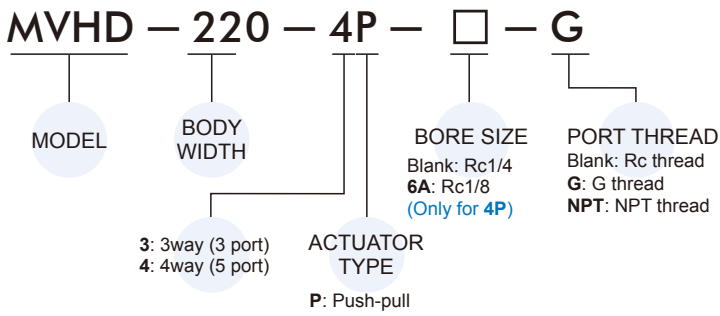
Mindman



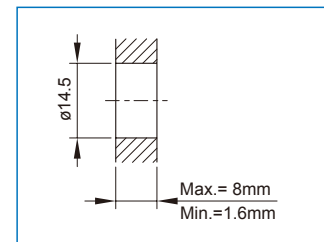
Specification

Model	MVHD-220-3P	MVHD-220-4P
Bore No.	8A	6A, 8A
Port size	Rc1/4	Rc1/8, Rc1/4
No. of port	3	5
No. of position	2	
Medium	Air	
Operating pressure range	0~0.8 MPa	
Effective orifice	18 mm ²	
Ambient temperature	-5~+50°C (No freezing)	
Weight	199 g	180 g

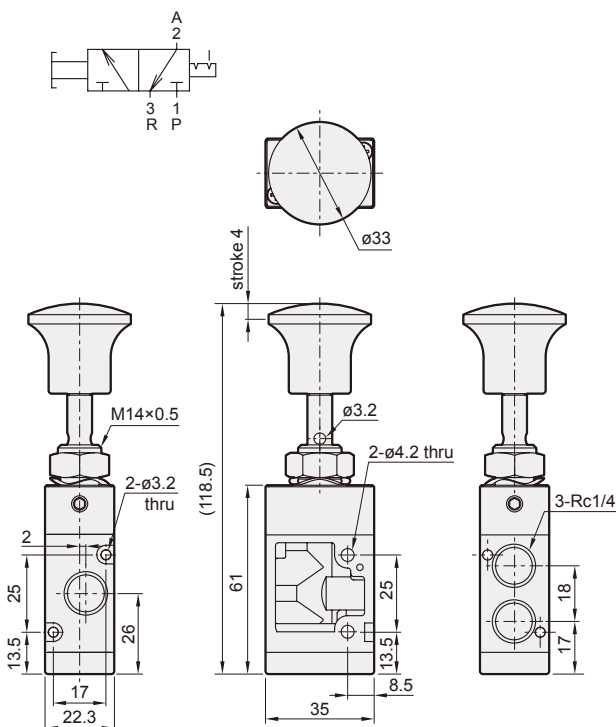
Order example



Panel mounting hole



MVHD-220-3P



MVHD-220-4P

