

MVHB-500 series

HAND LEVER VALVE



Mindman



Specification

Model	MVHB-500(V)-4TV	MVHB-500(V)-4TV*
	MVHB-500(V)-4TV-SP	MVHB-500(V)-4TV*-SP
Bore No.	15A	
Port size	Rc1/2	
No. of port	5	
No. of position	2	3
Medium	Air	
Operating pressure range	0~1.2 MPa	
Effective orifice	41 mm ²	
Ambient temperature	-5~+60°C (No freezing)	
Weight	519 g	560 g

Order example

MVHB – 500V – 4TVC – SP – G

MODEL

BODY WIDTH

4: 4way (5 port)

VALVE TYPE

SPRING RETURN

PORT THREAD

Blank: Rc thread
G: G thread
NPT: NPT thread

Blank: Standard type

V: Vertical type

* Vertical type can be used with MVSE-500 manifold (Refer to page 1-41).

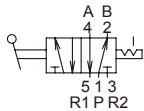
Blank: 5/2

C: Closed center (5/3)

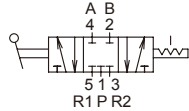
P: Pressure center (5/3)

R: Exhaust center (5/3)

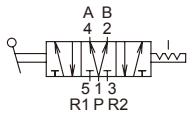
MVHB-500-4TV



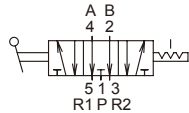
MVHB-500-4TVC



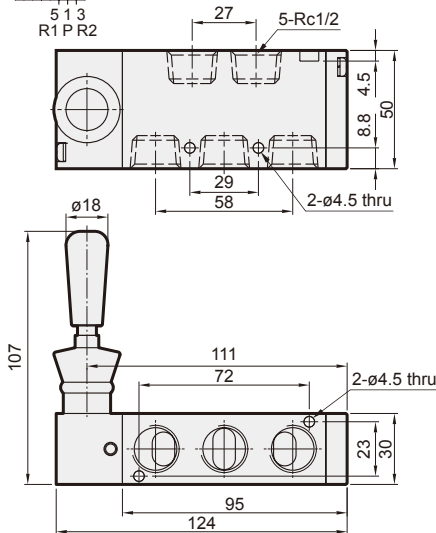
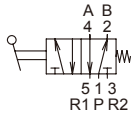
MVHB-500-4TVP



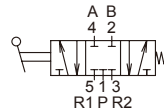
MVHB-500-4TVR



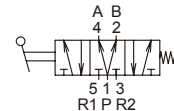
MVHB-500-4TV-SP



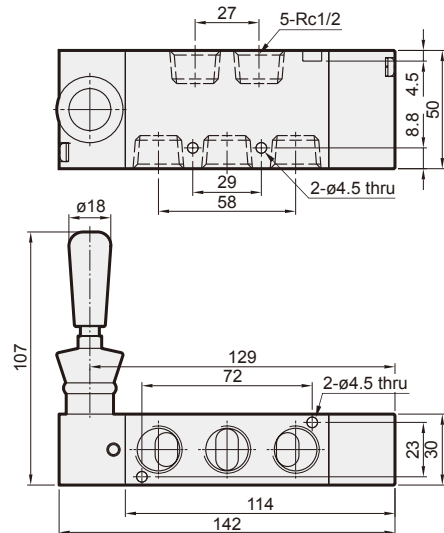
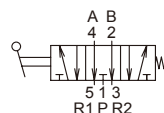
MVHB-500-4TVC-SP



MVHB-500-4TVP-SP



MVHB-500-4TVR-SP

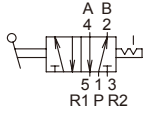


MVHB-500 Dimensions

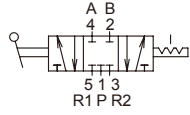
HAND LEVER VALVE



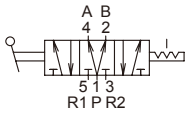
MVHB-500V-4TV



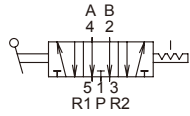
MVHB-500V-4TVC



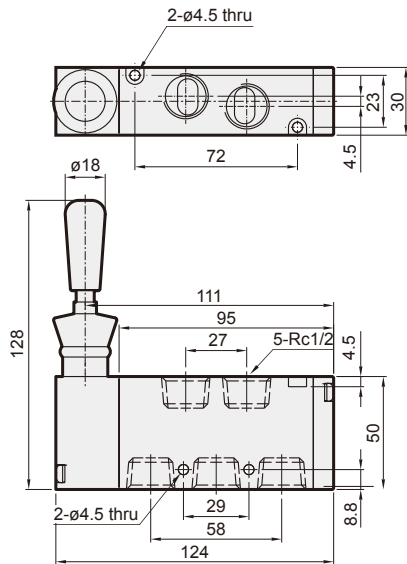
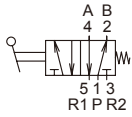
MVHB-500V-4TVP



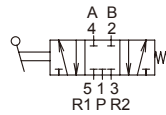
MVHB-500V-4TVR



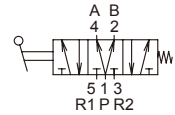
MVHB-500V-4TV-SP



MVHB-500V-4TVC-SP



MVHB-500V-4TVP-SP



MVHB-500V-4TVR-SP

