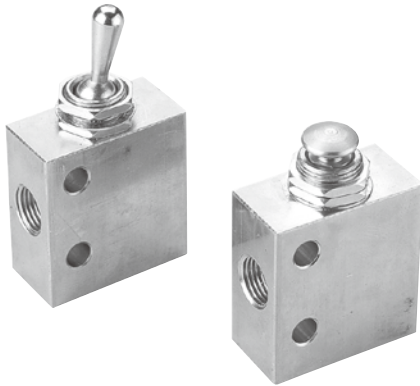


MVHA-31* series

HAND VALVE



Specification

| Model | MVHA-31V | MVHA-31P |
|--------------------------|------------------------|----------|
| Bore No. | 6A | |
| Port size | Rc1/8 | |
| No. of port | 3 | |
| No. of position | 2 | |
| Medium | Air | |
| Operating pressure range | 0~0.9 MPa | |
| Effective orifice | 4.5 mm ² | |
| Ambient temperature | -5~+60°C (No freezing) | |
| Weight | 53 g | 50 g |

Order example

MVHA - 31V - G

MODEL

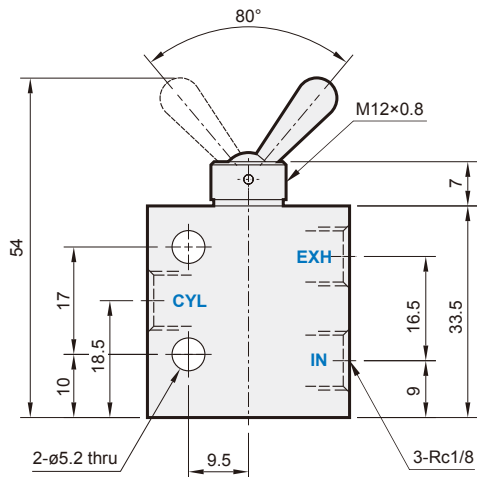
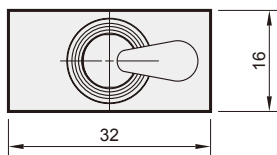
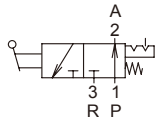
3: 3way (3 port)

V: V toggle
P: Push button

PORT THREAD
Blank: Rc thread
G: G thread
NPT: NPT thread

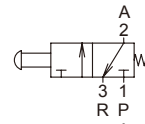
MVHA-31V

NO



MVHA-31P

NC



NO

