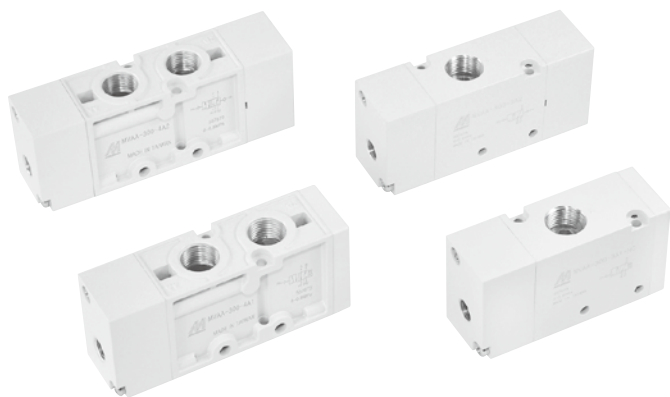


MVAA-300 series

PILOT VALVE



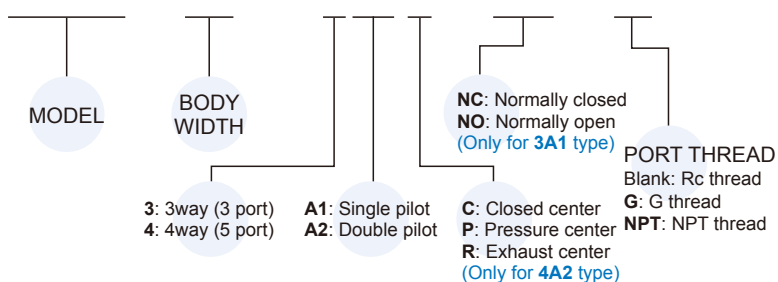
Specification

Model	3A1	3A2	4A1	4A2	4A2C.PR
Bore No.	10A				
Port size	Rc3/8				
No. of port	3		5		
Medium	Air				
Operating pressure range	0~0.8 MPa				
Proof pressure	1 MPa				
Effective orifice	35 mm ²				
Pilot pressure range	(0.34×P*+0.1)~0.8 MPa				
Ambient temperature	-5~+60°C (No freezing)				
Weight	295 g	324 g	236 g	301 g	385 g

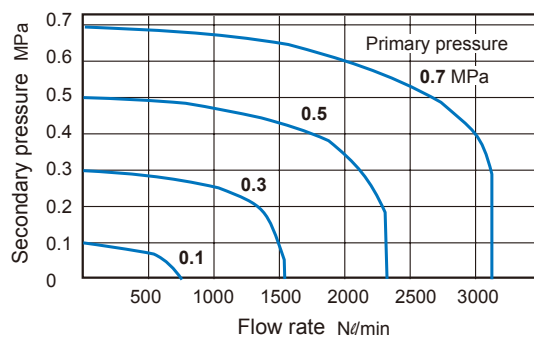
* P: Operating pressure.

Order example

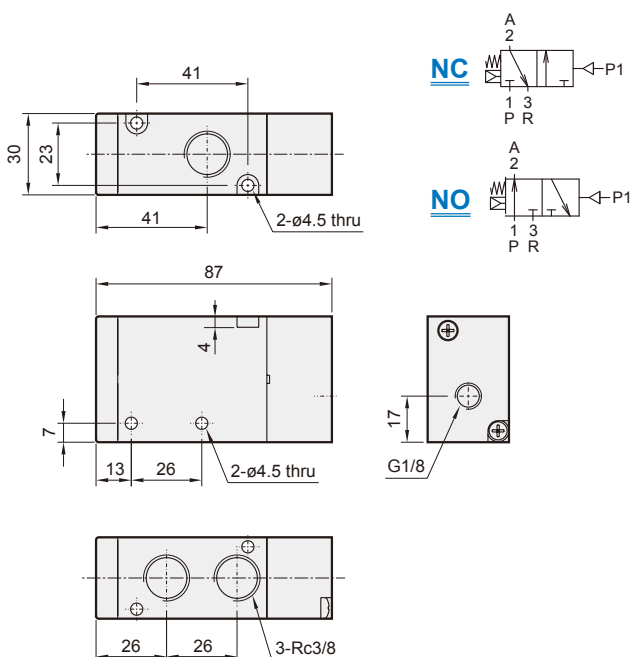
MVAA - 300 - 4A2C - NC - G



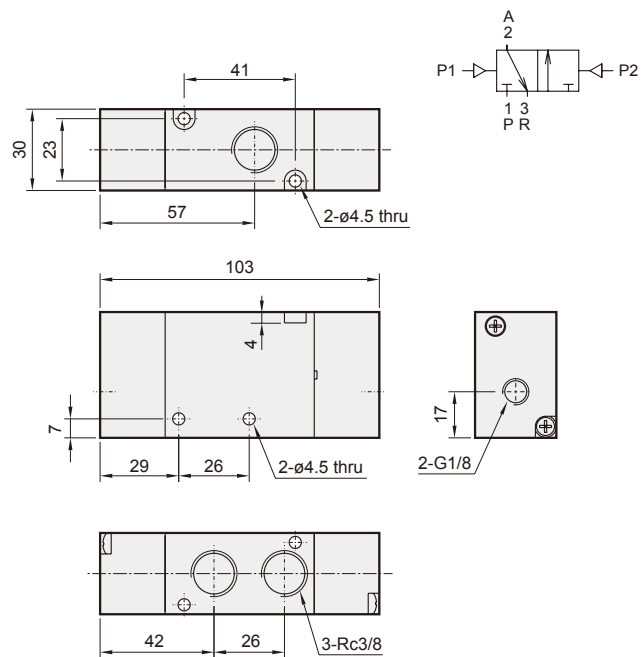
Flow features



MVAA-300-3A1-NC/NO



MVAA-300-3A2

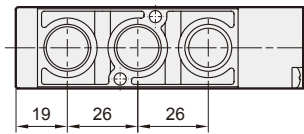
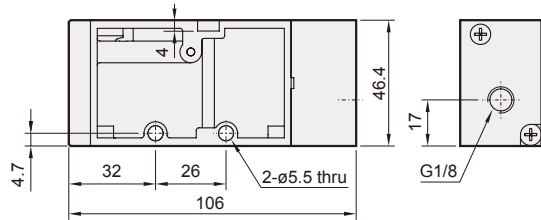
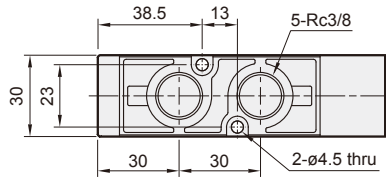
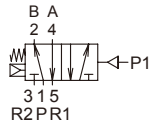


MVAA-300 Dimensions

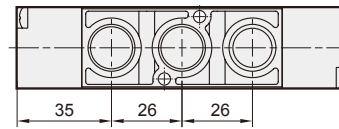
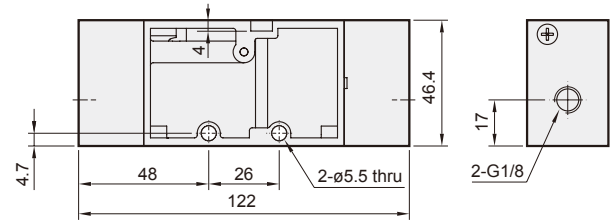
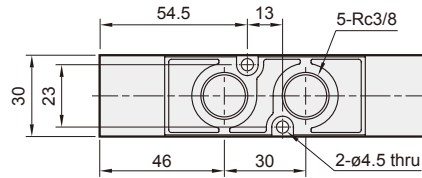
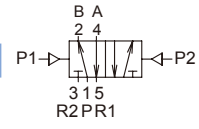
PILOT VALVE



MVAA-300-4A1



MVAA-300-4A2



MVAA-300-4A2C.P.R

MVAA-300-4A2C

MVAA-300-4A2P

MVAA-300-4A2R

