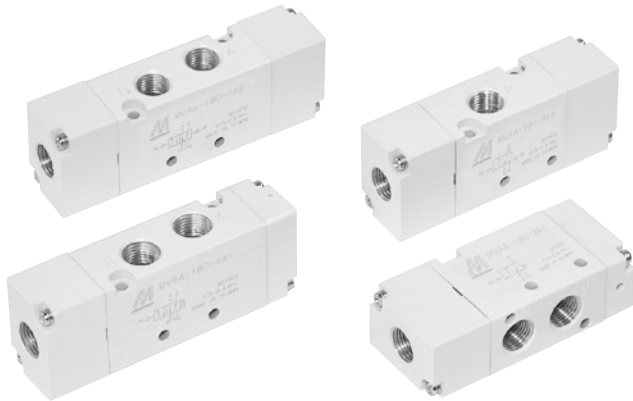


MVAA-180 series

PILOT VALVE



Specification

Model	3A1	3A2	4A1	4A2
Bore No.	6A			
Port size	Rc1/8			
No. of port	3		5	
Medium	Air			
Operating pressure range (MPa)	0~0.8		0.15~0.8	
Proof pressure	1 MPa			
Effective orifice	12 mm ²			
Pilot pressure range	(0.45×P*+0.1)~0.8 MPa			
Ambient temperature	-5~+60°C (No freezing)			
Weight	61 g	74 g	71 g	84 g

* P: Operating pressure.

Order example

MVAA – 180 – 4A2 – NC – G

MODEL

BODY WIDTH

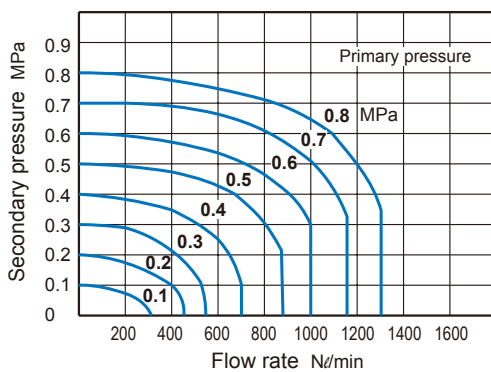
A1: Single pilot
A2: Double pilot

NC: Normally closed
NO: Normally open
(Only for 3A1 type)

PORT THREAD
Blank: Rc thread
G: G thread
NPT: NPT thread

3: 3way (3 port)
4: 4way (5 port)

Flow features

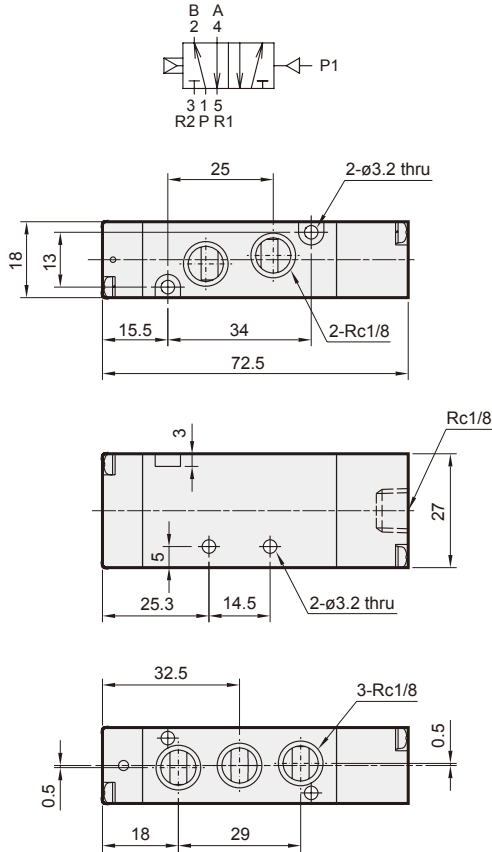


MVAA-180 Dimensions

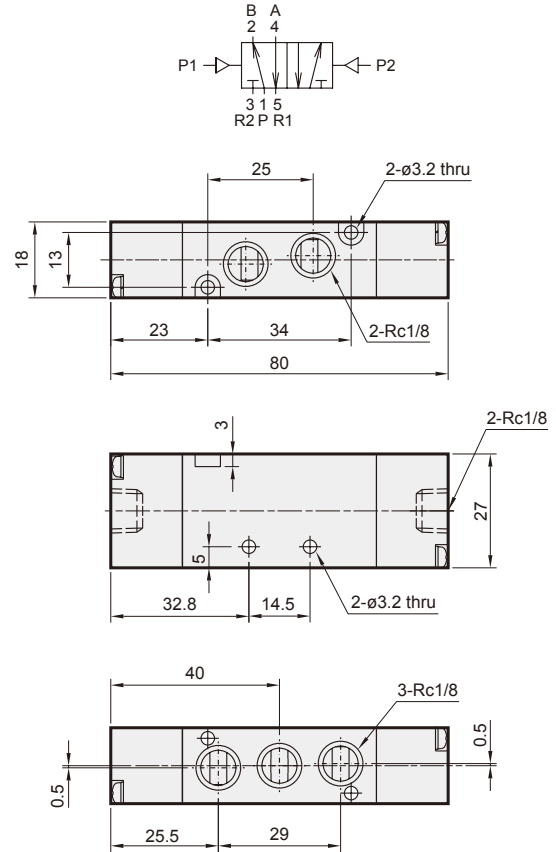
PILOT VALVE



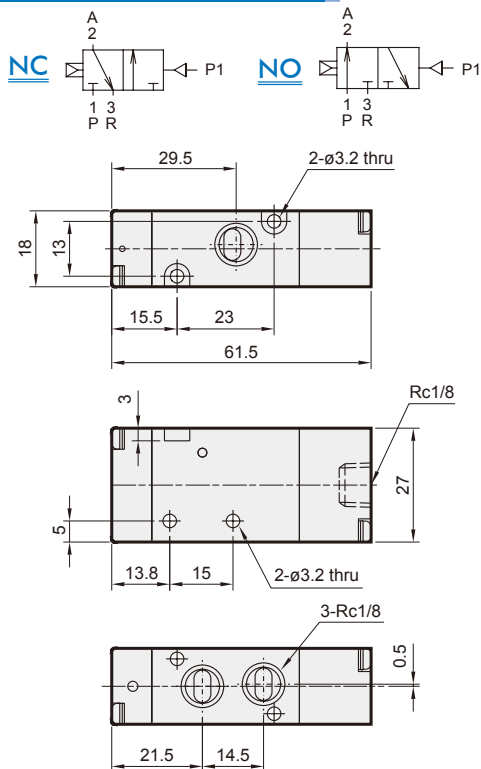
MVAA-180-4A1



MVAA-180-4A2



MVAA-180-3A1-NC/NO



MVAA-180-3A2

