

MSC500 / 600 series

FLOW CONTROL VALVE



Mindman



Specification

Model	MSC500		MSC600		
Bore No.	15A	20A	20A	25A	
Port size	Rc1/2	Rc3/4	Rc3/4	Rc1	
Medium	Air				
Operating pressure range	0~1 MPa				
Proof pressure	1.5 MPa				
Ambient temperature	-5~+60°C (No freezing)				
Effective orifice (mm ²)	Free flow	116	154	164	230
	Controlled flow	106	123	151	258
Weight	406 g	400 g	767 g	721 g	

* Supply pressure: 0.5 MPa, Temperature: 20°C

Order example

MSC500 — 20A — G

MODEL

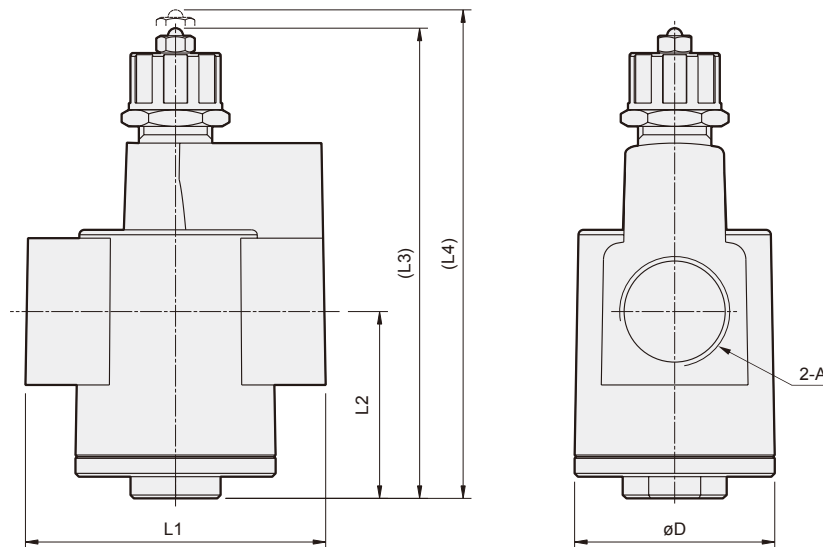
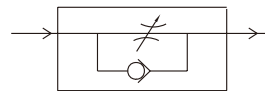
PORT SIZE

PORT THREAD

15A: Rc1/2
20A: Rc3/4
25A: Rc1

Blank: Rc thread
G: G thread
NPT: NPT thread

Symbol



Code Model	A	D	L1	L2	L3	L4	
MSC500	15A	Rc1/2	48	74	43	105	115
	20A	Rc3/4	48	74	43	105	115
MSC600	20A	Rc3/4	60	90	56	148	158
	25A	Rc1	60	90	56	148	158