

MSC100 series

FLOW CONTROL VALVE



Mindman



Specification

Model	MSC100	
Bore No.	M3	M5
Port size	M3×0.5	M5×0.8
Medium	Air	
Operating pressure range	0.1~0.7 MPa	
Proof pressure	1 MPa	
Ambient temperature	-5~+60°C (No freezing)	
Flow (ℓ/min)	Free flow	20
	Controlled flow	20
Number of needle rotations	6	8
Weight	3 g	34 g

* Supply pressure: 0.5 MPa, Temperature: 20°C

Order example

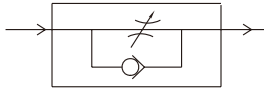
MSC100 — M5

MODEL

PORT SIZE

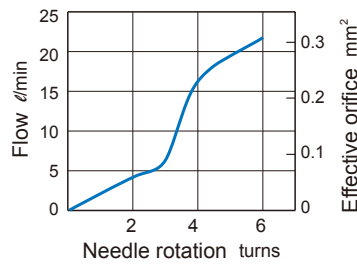
M3: M3×0.5
M5: M5×0.8

Symbol

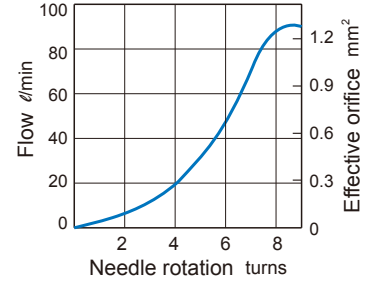


Flow features

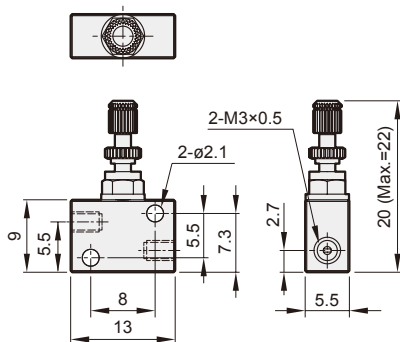
MSC100-M3



MSC100-M5



MSC100-M3



MSC100-M5

