

Features

- The minor error connects between two shafts can be removed.
- The machining accuracy can be neglected.
- The shaft alignment's time for the error tolerance connects between two shafts can be finished and installed easily, even the newcomer can do also.
- The abnormal noise can be prohibited.
- Small in dimension but can be loaded high tension & compression.
- Long time for the machine parts and the packing in the cylinder or the rod sealing's damage can be prohibited, reduced the producing's cost.
- The compression's decrease can be prohibited.

Order example

MFCS – 1004 T

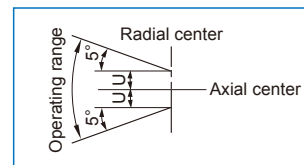
MODEL

THREAD SIZE

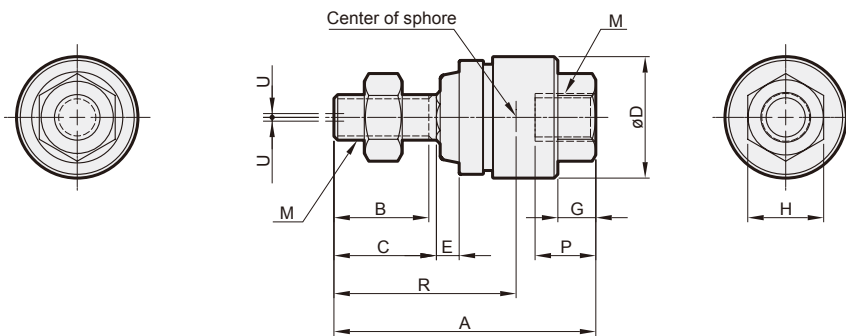
TYPE

T: Standard type

Operating range



T



Model	Cyl. dia	M	A	B	C	D	E	F	G	H	R	P	Permissible U deviation	Max. operating tension and compression force (N)	Weight	Rot. angle
MFCS-1003T	6	M3×0.5	23	7	8	12	2	3.8	3	5.5	15.5	6	0.5	19	5.5 g	±5°
MFCS-1004T	8	M4×0.7	26	9	10	12	2	4	4	6	18.5	7	0.5	54	10 g	
MFCS-1005T	10, 15	M5×0.8	34.5	12.5	13.5	16	3	6	5	10	24	8	0.5	123	20 g	
MFCS-1006T	16	M6×1.0	34.5	12.5	13.5	16	3	6	5	10	24	8	0.5	123	23 g	
MFCS-1008T	20	M8×1.25	46	20	21	21	5	7.8	5	13	31	7.5	0.5	1100	47 g	
MFCS-1010T	25, 32	M10×1.25	49.5	19.5	19.5	24	5	8	7	17	35.5	11	0.5	2500	72 g	

* Permissible pressure range: pneumatic pressure must below 1 MPa.