



### Features

#### ■ Non lubrication

Special housing and bushing enables self lubrication of piston rod.

#### ■ High quality long service life

Hard anodised aluminium cylinder tubes offer a high resistance to corrosion and low internal friction.

### Specification

Model	MCQB
Tube I.D. (mm)	40
Medium	Air
Operating pressure range	0.05~1 MPa
Proof pressure	1.5 MPa
Ambient temperature	-5~+60°C (No freezing)
Available speed range	50~500 mm/sec
Sensor switch (※)	RCA
Sensor switch holder	HV1

※ RCA specification, please refer to page V-05.

### Table for standard stroke

Tube I.D.	Stroke (mm)
φ 40	50,75,100,125,150,175,200,250,300,350,400,450,500

- Stroke out of specification is also available.
- Please consult us if stroke out of specification.

### Order example

MCQB - 11 - 40 - 100 M - □

MODEL: 1: Single Rod

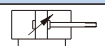
TUBE I.D.: 40

STROKE: 100

M: Magnet

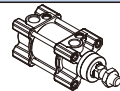
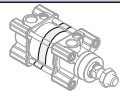
PORT THREAD: Blank: Rc thread, G: G thread, NPT: NPT thread

STYLE

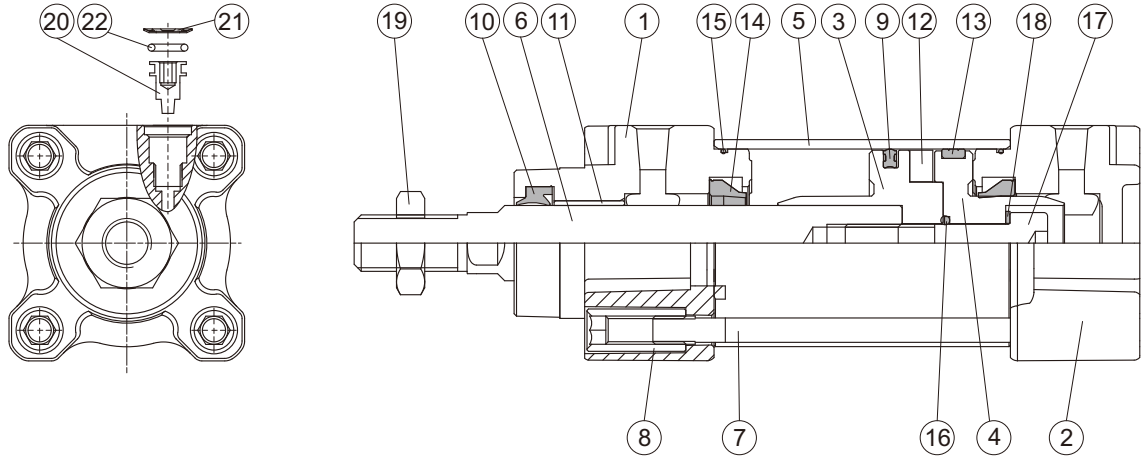
Code	Symbol	Description
1 1		Double acting / Male thread

### Cylinder weight

unit:g

Model	Basic weight MCQB-11	Stroke 10 mm MCQB-11
Tube I.D.		
φ 40	578	75

※ Order example for special specification, refer to page J-03.



### Material

No.	Part name	Material	Q'y	Repair kits (inclusion)
01	Rod cover	Aluminum alloy	1	
02	Head cover	Aluminum alloy	1	
03	Piston-R	Aluminum alloy	1	
04	Piston-H	Aluminum alloy	1	
05	Cylinder tube	Aluminum alloy	1	
06	Piston rod	Carbon steel	1	
07	Tie rod	Carbon steel	4	
08	Tie rod nut	Carbon steel	8	
09	Piston packing	NBR	1	●
10	Rod packing	NBR	1	●
11	Bush	Bearing alloy	1	
12	Magnet ring	Magnet material	1	
13	Wear ring	Teflon	1	
14	Cushion packing	NBR	2	●
15	O-ring	NBR	2	●

No.	Part name	Material	Q'y	Repair kits (inclusion)
16	O-ring	NBR	1	●
17	Bolt	Carbon steel	1	
18	Washer	Carbon steel	1	
19	Nut	Carbon steel	1	
20	Needle valve	Copper alloy	2	
21	Needle valve washer	Carbon steel	2	
22	O-ring	NBR	2	●

### Order example of repair kits

PS — MCQB — 40 — XB6

MODEL

TUBE I.D.

Blank: NBR

XB6: Heat resistant material

### Dimensions

