

Features

- Plate type design for ultra compact, Oval piston design for space saving.
- Sensor slots on sides for flush mounting of proximity sensors.
- Magnetic as standard.

Specification

Model	MCJU				
Acting type	Double acting				
Tube I.D. (mm)	25	32	40	50	63
Port size	M5×0.8	Rc1/8		Rc1/4	
Medium	Air				
Operating pressure range	0.05~0.7 MPa				
Proof pressure	1.0 MPa				
Available speed range	50~500 mm/sec				
Cushion	Rubber bumper				
Lubricator	Without lubrication				
Stroke length tolerance (*1)	+0~+1.5 mm				
Ambient temperature	-5°C~+60°C (No freezing)				
Sensor switch (*2)	RDF, RDGV				

Table for standard stroke

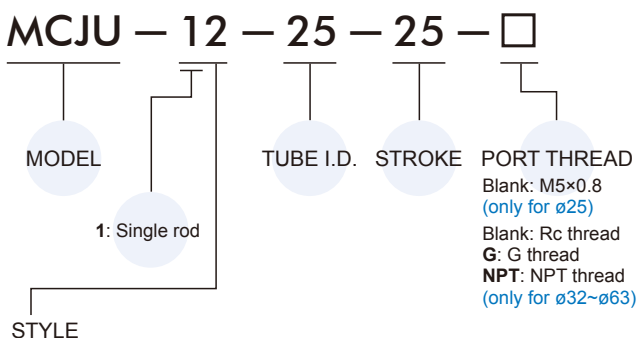
Tube I.D.	Stroke (mm)	Max. stroke
ø25,32,40 50,63	5,10,15,20,25,30,40,50,75, 100,200,250	300

* Please consult us if stroke out of specification.

*1. Stroke length tolerance does not include the amount of bumper change.

*2. RDF, RDGV specification, please refer to page 8-15, 16.

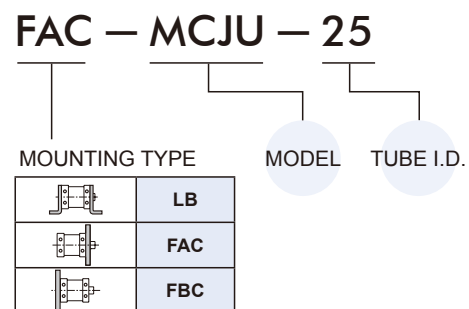
Order example



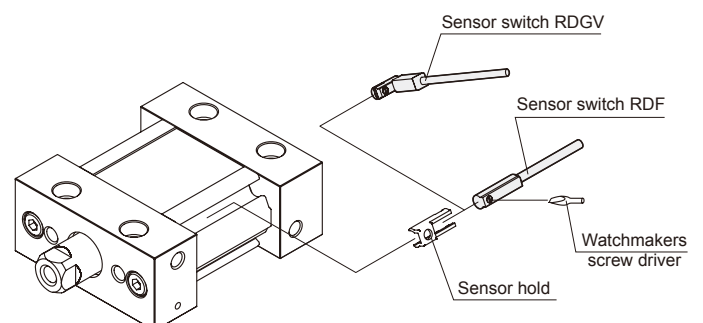
Code	Symbol	Description
1 1		Double acting / Male thread
1 2		Double acting / Female thread

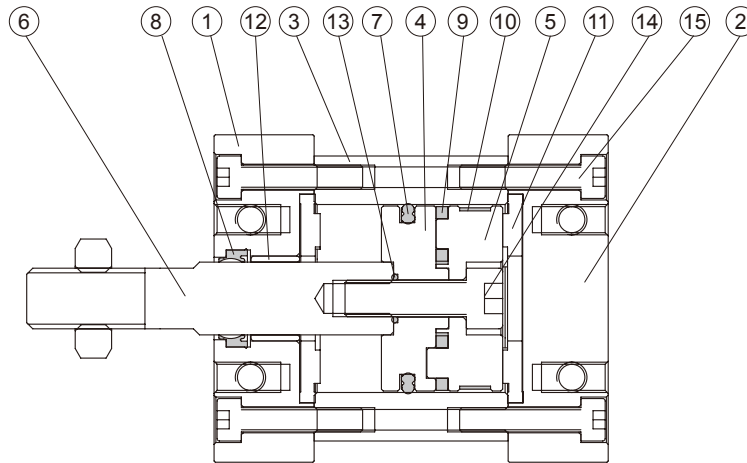
* Order example for special specification, refer to page 0-7.

Mounting accessories



Installation of sensor switch





Material

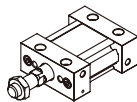
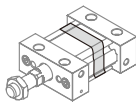
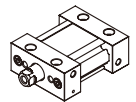
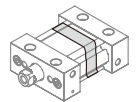
No.	Part name	Material	Q'y	Repair kits (inclusion)
1	Rod cover	Aluminum alloy	1	
2	End cover	Aluminum alloy	1	
3	Tube	Aluminum alloy	1	
4	Piston-R	Aluminum alloy	1	
5	Piston-H	Aluminum alloy	1	
6	Piston rod	Carbon steel	1	
7	Piston packing	NBR	1	●
8	Rod packing	NBR	1	●
9	Magnet ring	Magnet material	2	
10	Wear ring	Teflon	1	
11	Cushion	PU	1	
12	Bush	Bearing alloy	1	
13	O-ring	NBR	1	
14	Screw	Stainless steel	1	
15	Screw	Stainless steel	4	

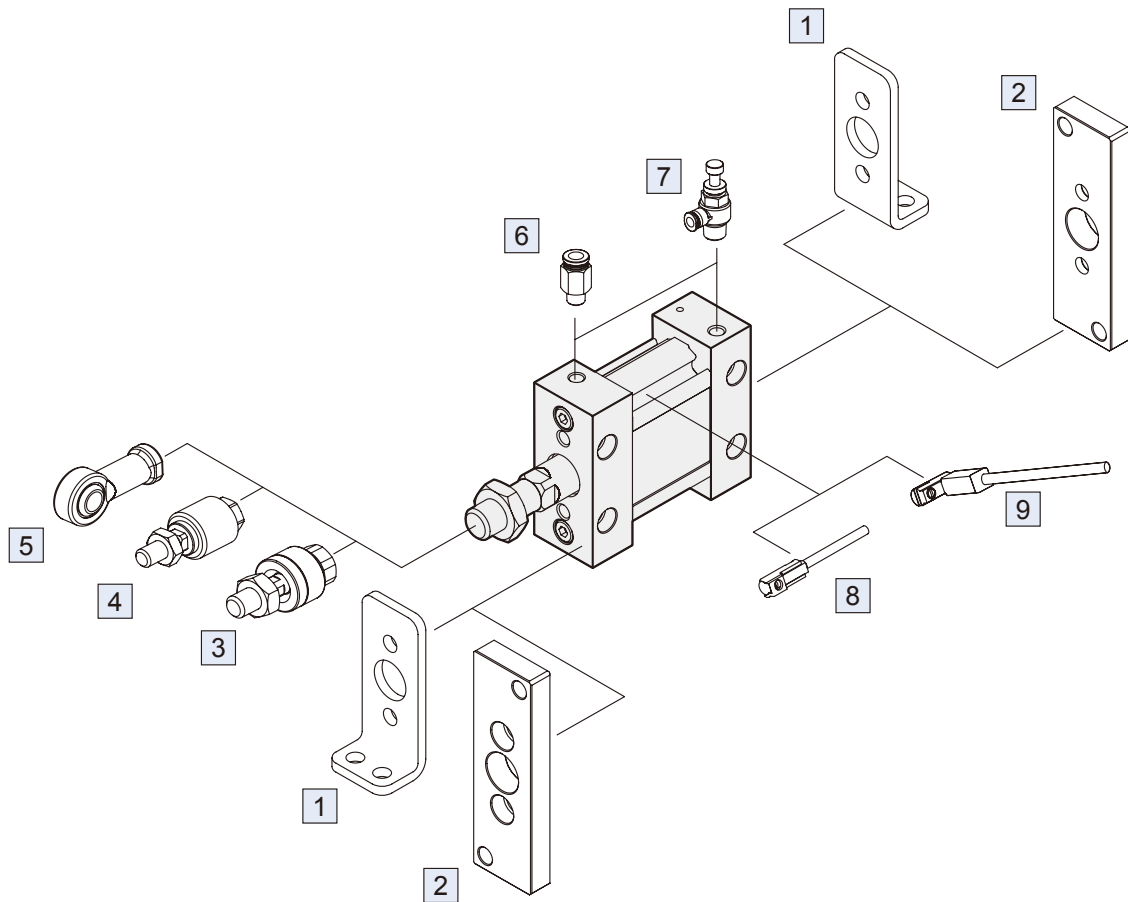
Order example Repair kits

Tube I.D.	Repair kits
ø25	PS-MCJU-25
ø32	PS-MCJU-32
ø40	PS-MCJU-40
ø50	PS-MCJU-50
ø63	PS-MCJU-63

Cylinder weight

Unit: g

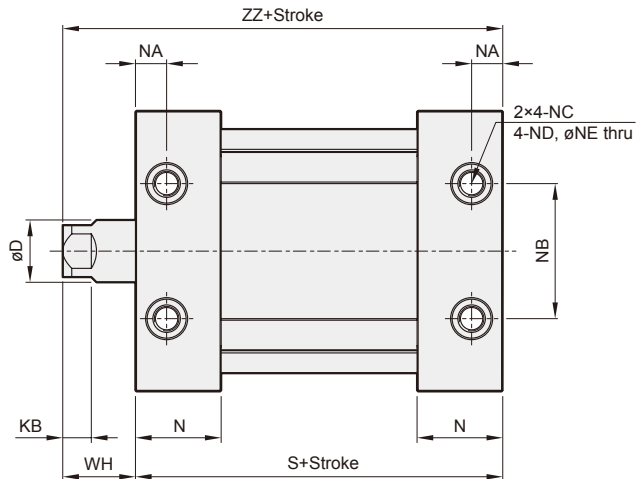
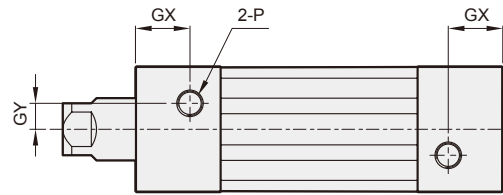
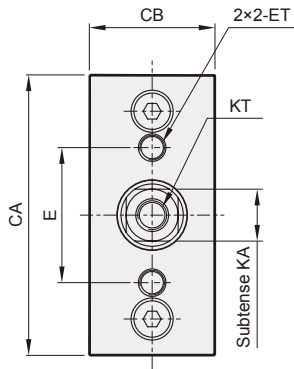
Model	Basic weight MCJU-11	Stroke 10mm MCJU-11	Basic weight MCJU-12	Stroke 10mm MCJU-12
Tube I.D.				
ø25	192	20	167	20
ø32	320	27	282	27
ø40	454	37	403	37
ø50	846	57	768	57
ø63	1234	76	1157	76



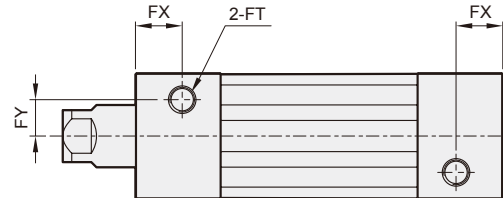
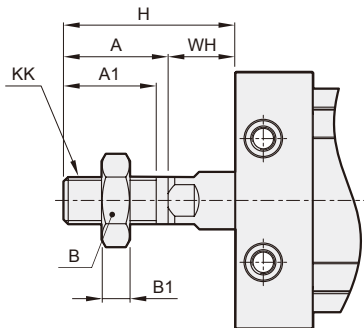
No.	Accessories	Page
1	Mounting accessories LB	2-64
2	Mounting accessories FAC/FBC	2-64
3	Floating joint MFC	8-2
4	Floating joint MFCS	8-4
5	Female rod ends PHS	8-5
6	Fitting PC (PISCO)	8-5 (Vol.1)
7	Speed controller JSC (PISCO)	8-18 (Vol.1)
8	Sensor switch RDF	8-15
9	Sensor switch RDGV	8-16

PLATE OVAL CYLINDER (NON-ROTATION ROD)

MCJU-12 female thread size



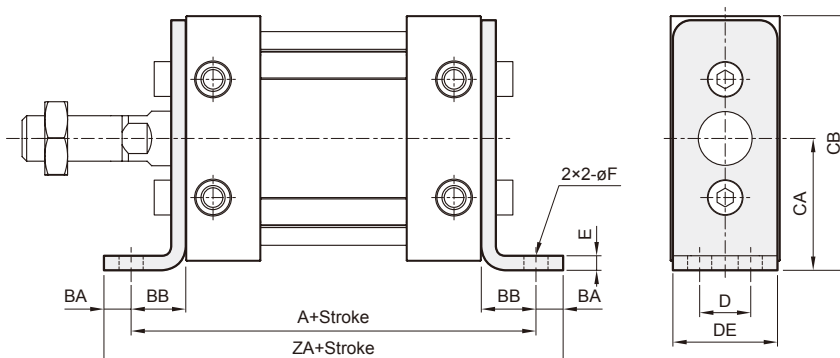
MCJU-11 male thread size



Code Tube I.D.	A	A1	B	B1	CA	CB	D	E	ET	FT	FX	FY	GX	GY	H	KA	KB	KK
25	22	19.5	17	6	54	24	12	26	M5×0.8×11dp	M5×0.8×7.5dp	9	7	10.5	5	36	10	5.5	M10×1.25
32	26	23.5	19	7	68	28	14	42	M6×1.0×11dp	M6×1.0×12dp	6.5	8	9	5.5	40	12	5.5	M12×1.75
40	30	27	22	8	86	32	16	54	M8×1.25×11dp	M8×1.25×13dp	8	9	10	7	45	14	6	M14×1.5
50	35	32	26	11	104	39	20	64	M10×1.5×15dp	M10×1.5×14.5dp	10	9	11.5	8	53	18	7	M18×1.5
63	35	32	26	11	124	50	20	72	M12×1.75×15dp	M12×1.75×18dp	11	12	11.5	10	56	18	7	M18×1.5

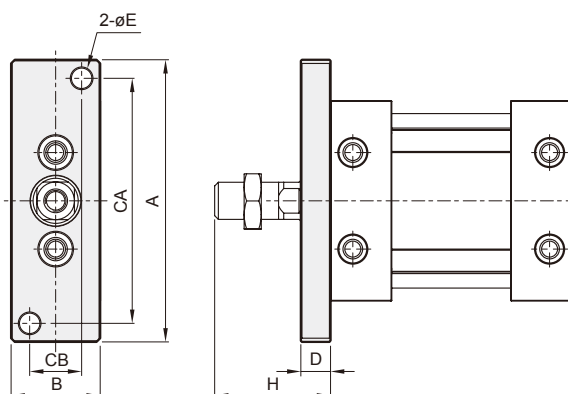
Code Tube I.D.	KT	N	NA	NB	NC	ND	NE	S	P	WH	ZZ
25	M6×1.0×12dp	16.5	6	26	sink $\varnothing 7.5 \times 4.5$ dp	M5×0.8	4.2	55	M5×0.8	14	69
32	M8×1.25×13dp	18	6.5	28	sink $\varnothing 9 \times 5.5$ dp	M6×1.0	5.1	58	Rc1/8	14	72
40	M8×1.25×13dp	18.5	8	36	sink $\varnothing 10.5 \times 6.5$ dp	M8×1.25	6.7	60	Rc1/8	15	75
50	M10×1.5×15dp	24	10	42	sink $\varnothing 13.5 \times 8.5$ dp	M10×1.5	8.5	74	Rc1/4	18	92
63	M10×1.5×15dp	24	11	46	sink $\varnothing 17 \times 10.5$ dp	M12×1.75	10.2	75	Rc1/4	21	96

LB



Code Tube I.D.	A	BA	BB	CA	CB	D	DE	E	F	ZA
25	79	6	12	29	56	11	23	3.2	5.5	109
32	90	8	16	37	71	12	27	4.5	6.6	122
40	96	10	18	46	89	15	31	4.5	9	133
50	116	11	21	57	109	18	37	5	11	159
63	123	14	24	67	129	22	48	6	13.5	169

FAC



Code Tube I.D.	A	B	CA	CB	D	E	H	ZB
25	76	24	66	14	8	5.5	36	99
32	94	28	82	16	8	7	40	106
40	118	32	102	18	9	9	45	114
50	144	39	126	22	12	11	53	139
63	168	50	148	30	14	13	56	145

FBC

