

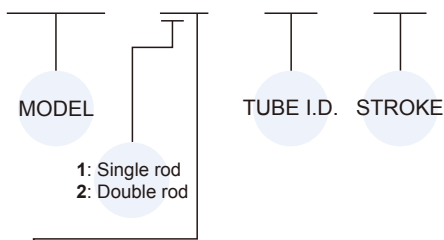
Table for standard stroke

Tube I.D.	Stroke (mm)
ø20,25	5, 10, 15, 20, 25, 30, 40, 50, 60, 80, 100, 200
ø32,40	5, 10, 15, 20, 25, 30, 40, 50, 60, 80, 100, 200, 300
ø50,63	10, 15, 20, 25, 30, 40, 50, 60, 80, 100, 200, 300, 400
ø80, 100	15, 20, 25, 30, 40, 50, 60, 80, 100, 200, 300, 400, 500

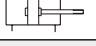


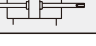
* Please consult us if stroke out of specification.

Order example

MCJI – 12 – 20 – 25



STYLE

Code	Symbol	Description
1 1		Double acting / Male thread
1 2		Double acting / Female thread
2 1		Double rod / Male thread
2 2		Double rod / Female thread

* Order example for special specification, refer to page 0-7.

Features

- ISO-21287 standard.
- Wide range of bore sizes and strokes.
- Ultra compact, light weight and space saving.
- Sensor slots on RCI sides for flush mounting of proximity sensors.
- Magnetic as standard.

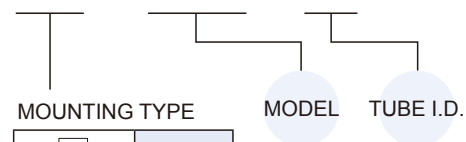
Specification

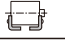

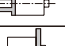



Model	MCJI	
Acting type	Double acting	
Tube I.D. (mm)	20,25	32,40,50,63,80,100
Port size	M5×0.8	G1/8
Medium	Air	
Operating pressure range	0.05~1 MPa	
Proof pressure	1.5 MPa	
Cushion	Rubber bumper	
Lubricator	Without lubrication	
Stroke length tolerance (*)	+0~+1.0 mm	
Ambient temperature	-5°C~+60°C (No freezing)	
Available speed range	50~500 mm/sec	
Sensor switch	RCI (Please refer to page 8-11)	

* Stroke length tolerance does not include the amount of bumper change.

Mounting accessories

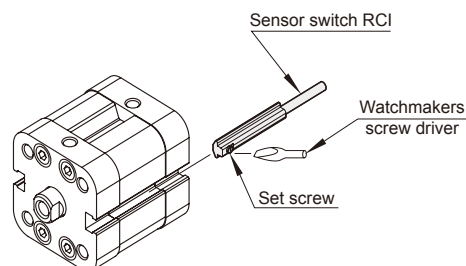
FAC – MCJI – 20



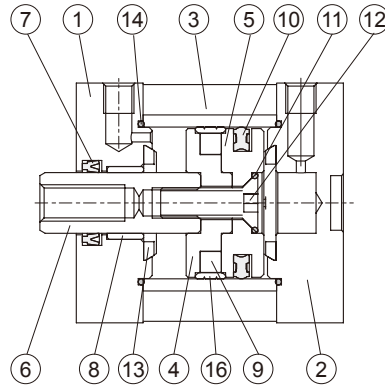
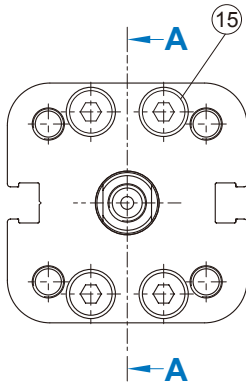
MOUNTING TYPE	
	LB
	CA
	CB
	FAC
	FBC
	MP

* ø20, ø25 without CB accessory.

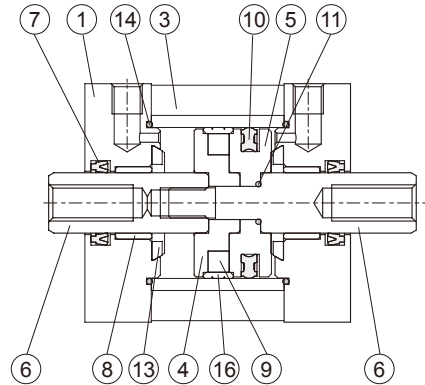
Installation of sensor switch



Single rod



Double rod




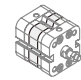
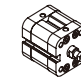

Material

No.	Part name	Material	Q'y		Component parts (inclusion)	Repair kits (inclusion)
			Single	Double		
1	Rod cover	Aluminum alloy	1	2	●	
2	End cover	Aluminum alloy	1	—	●	
3	Tube	Aluminum alloy	1	1		
4	Piston-R	Aluminum alloy	1	1	●	
5	Piston-H	Aluminum alloy	1	1	●	
6	Piston rod	*	1	2		
7	Rod packing	NBR	1	1	●	●
8	Bush	Bearing alloy	1	1	●	
9	Magnet ring	Magnet material	1	1	●	
10	Piston packing	NBR	1	1	●	●
11	O-ring	NBR	1	1	●	●
12	Screw	Carbon steel	1	—	●	
13	Cushion	NBR	2	2	●	●
14	O-ring	NBR	2	2	●	●
15	Screw	Stainless steel	8	8	●	
16	Wear ring	Teflon	1	1	●	

* Material $\phi 20, \phi 25$: Stainless steel; $\phi 32 \sim \phi 100$: Medium carbon steel.

Cylinder weight

Unit: g

Model	Basic weight MCJI-11	Stroke 10mm MCJI-11	Basic weight MCJI-12	Stroke 10mm MCJI-12
Tube I.D.				
$\phi 20$	121	14	108	14
$\phi 25$	147	18	135	18
$\phi 32$	238	24	214	24
$\phi 40$	322	32	291	32
$\phi 50$	493	46	455	46
$\phi 63$	703	48	667	48
$\phi 80$	1,260	76	1,190	76
$\phi 100$	2,140	92	2,060	92

Order example

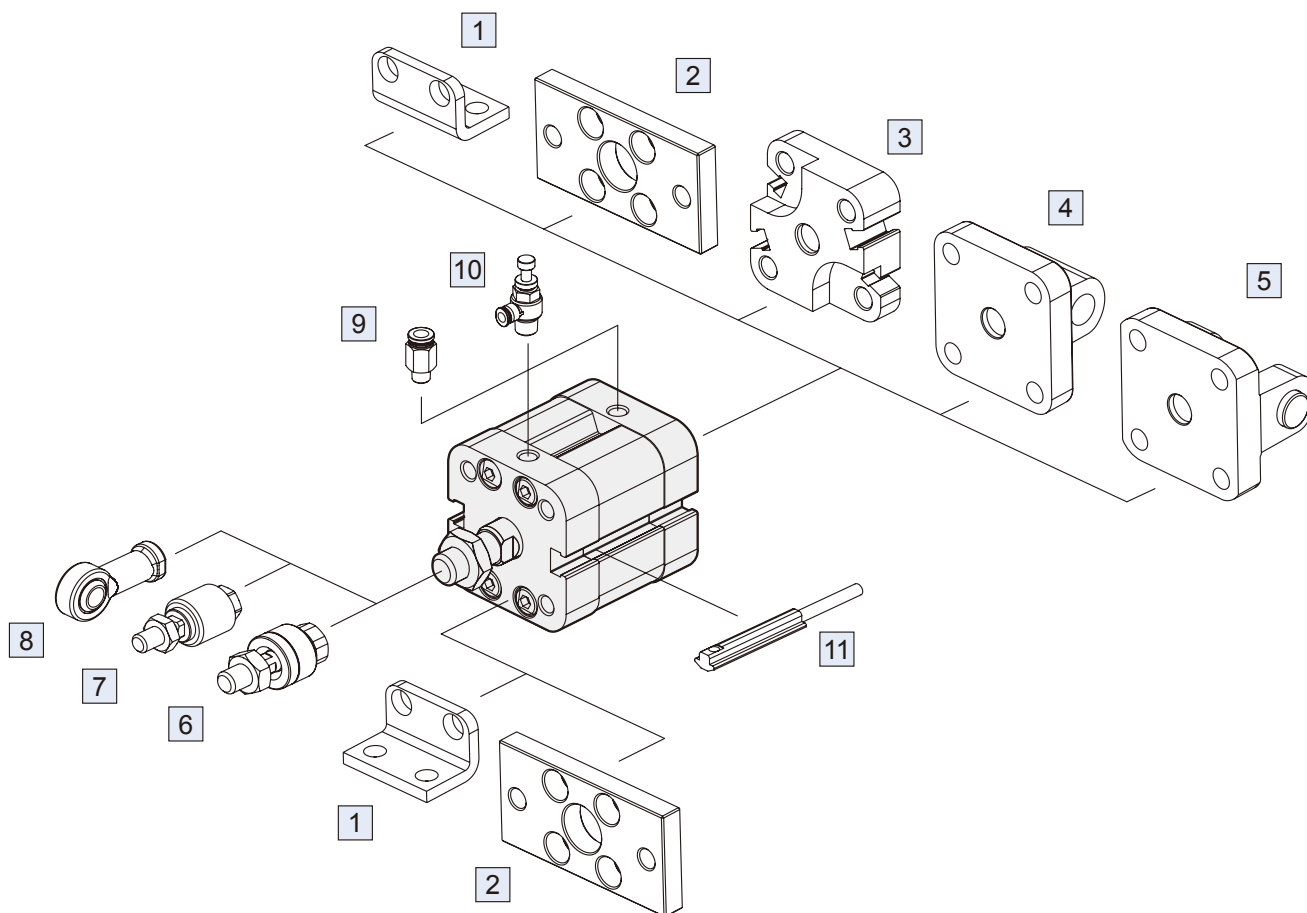
Component parts / Repair kits

Single rod

Tube I.D.	Component parts	Repair kits
$\phi 20$	CP-MCJI-20	PS-MCJI-20
$\phi 25$	CP-MCJI-25	PS-MCJI-25
$\phi 32$	CP-MCJI-32	PS-MCJI-32
$\phi 40$	CP-MCJI-40	PS-MCJI-40
$\phi 50$	CP-MCJI-50	PS-MCJI-50
$\phi 63$	CP-MCJI-63	PS-MCJI-63
$\phi 80$	CP-MCJI-80	PS-MCJI-80
$\phi 100$	CP-MCJI-100	PS-MCJI-100

Double rod

Tube I.D.	Component parts	Repair kits
$\phi 20$	CP-MCJI-2-20	PS-MCJI-2-20
$\phi 25$	CP-MCJI-2-25	PS-MCJI-2-25
$\phi 32$	CP-MCJI-2-32	PS-MCJI-2-32
$\phi 40$	CP-MCJI-2-40	PS-MCJI-2-40
$\phi 50$	CP-MCJI-2-50	PS-MCJI-2-50
$\phi 63$	CP-MCJI-2-63	PS-MCJI-2-63
$\phi 80$	CP-MCJI-2-80	PS-MCJI-2-80
$\phi 100$	CP-MCJI-2-100	PS-MCJI-2-100

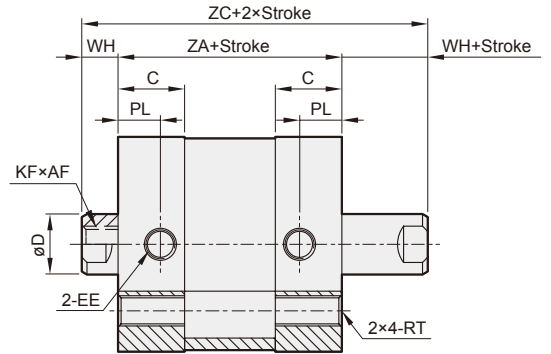
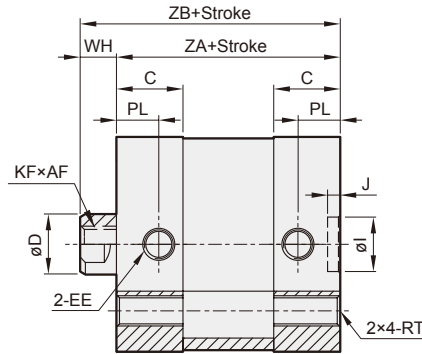
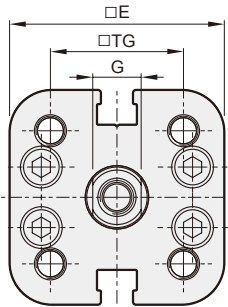


No.	Accessories	Page
1	Mounting accessories LB	2-54
2	Mounting accessories FAC/FBC	2-55
3	Mounting accessories MP	2-54
4	Mounting accessories CA	2-56
5	Mounting accessories CB+PIN	2-56
6	Floating joint MFC	8-2
7	Floating joint MFCS	8-4
8	Female rod ends PHS	8-5
9	Fitting PC (PISCO)	8-5 (Vol.1)
10	Speed controller JSC (PISCO)	8-18 (Vol.1)
11	Sensor switch RCI	8-11

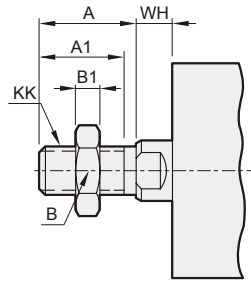
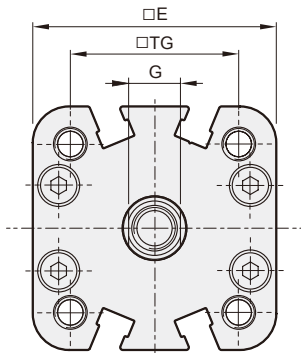
Single rod

Double rod

$\phi 20 \sim \phi 25$



$\phi 32 \sim \phi 100$

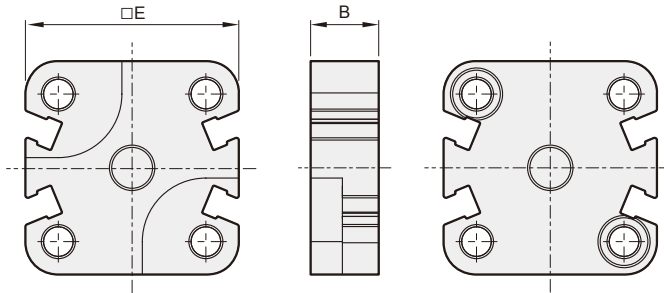


MCJI-11/21 male thread size

Code Tube I.D.	A	A1	B	B1	KK
20	16	14	13	4	M8×1.25
25	16	14	13	4	M8×1.25
32	19	17	17	5	M10×1.25
40	19	17	17	5	M10×1.25
50	22	20	19	6	M12×1.25
63	22	20	19	6	M12×1.25
80	28	26	24	8	M16×1.5
100	28	26	24	8	M16×1.5

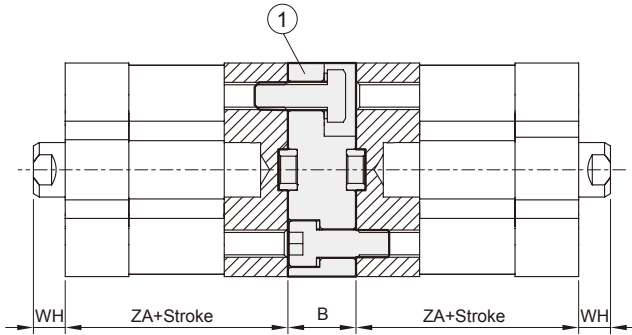
Code Tube I.D.	AF	C	D	E	EE	G	WH	I	J	KF	PL	TG	RT	ZA	ZB	ZC
20	14	11	10	35.5	M5×0.8	8	6	9	2.1	M6×1.0	7	22	M5×0.8	37	43	49
25	14	11	10	39.5	M5×0.8	8	6	9	2.1	M6×1.0	7	26	M5×0.8	39	45	51
32	15	14	12	47.0	G1/8	10	7	9	2.1	M8×1.25	7.5	32.5	M6×1.0	44	51	58
40	15	14	12	54.5	G1/8	10	7	9	2.1	M8×1.25	7.5	38	M6×1.0	45	52	59
50	18	14	16	65.5	G1/8	14	8	12	2.6	M10×1.5	7.5	46.5	M8×1.25	45	53	61
63	18	14.5	16	75.5	G1/8	14	8	12	2.6	M10×1.5	7.5	56.5	M8×1.25	49	57	65
80	20	15.5	20	95.5	G1/8	17	10	12	2.6	M12×1.75	8	72	M10×1.5	54	64	74
100	20	18.5	20	113.5	G1/8	17	10	12	2.6	M12×1.75	9.5	89	M10×1.5	67	77	87

MP

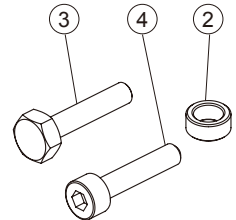


Code Tube I.D.	B	E	WH	ZA	Max. overall stroke
20	13	35.5	6	37	600 mm
25	13	39.5	6	39	600 mm
32	15	47.0	7	44	800 mm
40	15	54.5	7	45	800 mm
50	15	65.5	8	45	800 mm
63	15	75.5	8	49	800 mm
80	17	95.5	10	54	1000 mm
100	19.5	113.5	10	67	1000 mm

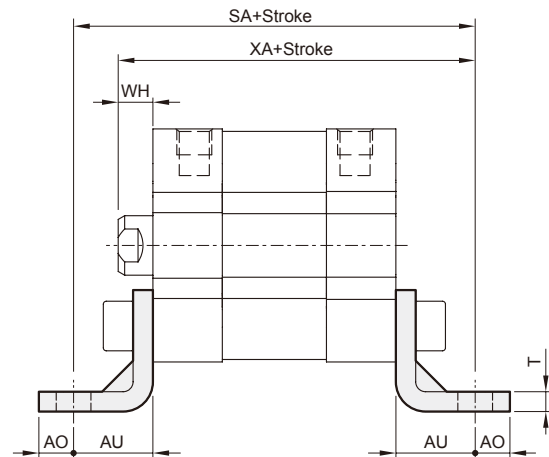
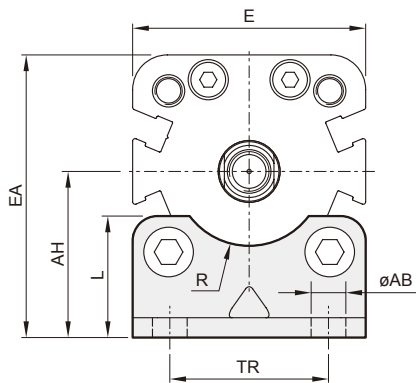
* The max. overall stroke length may not be exceeded when combining cylinders and multi-position kits.



No.	Part name	Q'y
1	Connection block	1
2	Flange	2
3	Bolt	2
4	Bolt	2



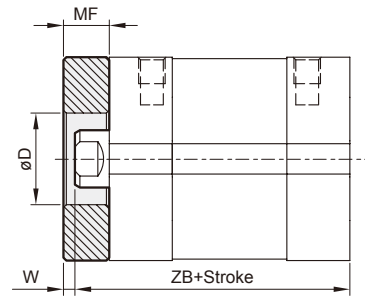
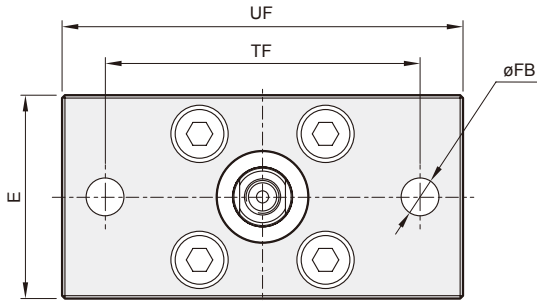
LB



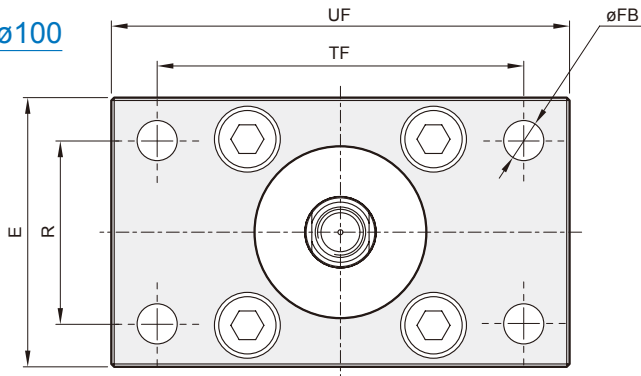
Code Tube I.D.	AB	AH	AO	AU	E	EA	L	R	SA	T	TR	WH	XA
20	7	27	7	16	35.5	44.8	21	—	69	4	22	6	59
25	7	29	7	16	39.5	48.8	22	—	71	4	26	6	61
32	7	33.5	7	16	47.0	57.0	24.5	15	76	4	32	7	67
40	10	38	9	18	54.5	65.3	26	17.5	81	4	36	7	70
50	10	45	9	21	65.5	77.8	31	20	87	5	45	8	74
63	10	50	9	21	75.5	87.8	31	22.5	91	5	50	8	78
80	12	63	11	26	95.5	110.8	40	—	106	6	63	10	90
100	14.5	74	13	27	113.5	130.8	46	—	121	6	75	10	104

FAC

$\varnothing 20\sim\varnothing 25$



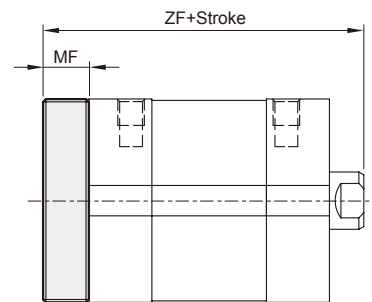
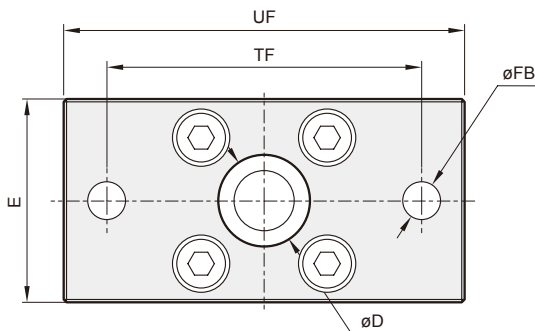
$\varnothing 32\sim\varnothing 100$



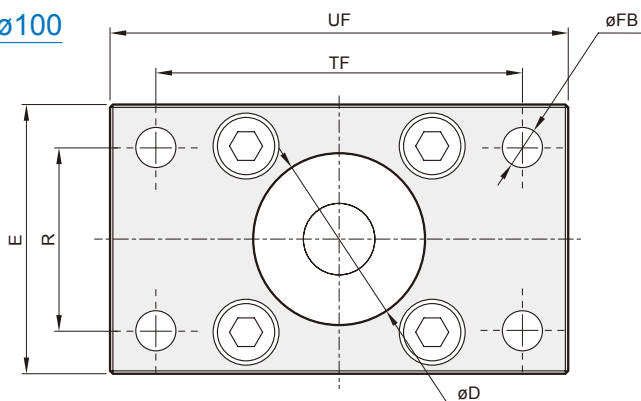
Code Tube I.D.	D	E	FB	MF	R	TF	UF	W	ZB
20	16	35.5	6.6	8	—	55	70	2	43
25	16	39.5	6.6	8	—	60	76	2	45
32	30	47.0	7	10	32	64	80	3	51
40	35	54.5	9	10	36	72	90	3	52
50	40	65.5	9	12	45	90	110	4	53
63	45	75.5	9	12	50	100	120	4	57
80	45	95.5	12	16	63	126	150	6	64
100	55	113.5	14	16	75	150	175	6	77

FBC

$\varnothing 20\sim\varnothing 25$

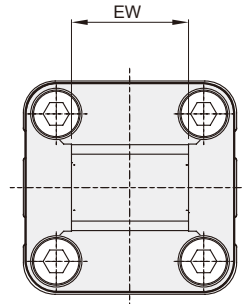
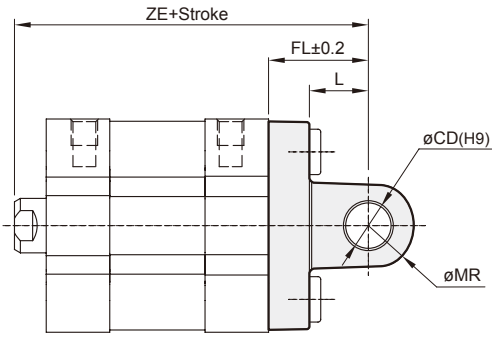


$\varnothing 32\sim\varnothing 100$



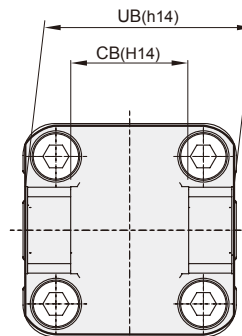
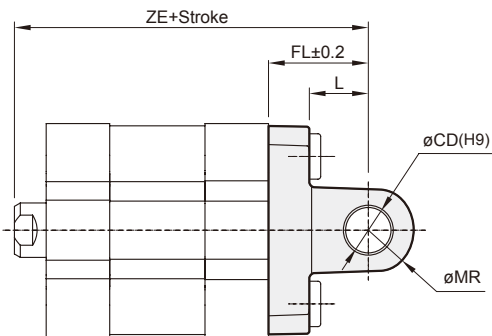
Code Tube I.D.	D	E	FB	MF	R	TF	UF	ZF
20	16	35.5	6.6	8	—	55	70	51
25	16	39.5	6.6	8	—	60	76	53
32	30	47.0	7	10	32	64	80	61
40	35	54.5	9	10	36	72	90	62
50	40	65.5	9	12	45	90	110	65
63	45	75.5	9	12	50	100	120	69
80	45	95.5	12	16	63	126	150	80
100	55	113.5	14	16	75	150	175	93

CA



Code Tube I.D.	CD	EW	FL	L	MR	ZE
20	8	16 h12	20	14	8	63
25	8	16 h12	20	14	8	65
32	10	25.8 ⁺⁰ _{-0.4}	22	13	10	73
40	12	27.8 ⁺⁰ _{-0.4}	25	16	12	77
50	12	31.8 ⁺⁰ _{-0.4}	27	16	12	80
63	16	39.8 ⁺⁰ _{-0.4}	32	21	16	89
80	16	49.8 ⁺⁰ _{-0.4}	36	22	16	100
100	20	59.8 ⁺⁰ _{-0.4}	41	30	21	118

CB



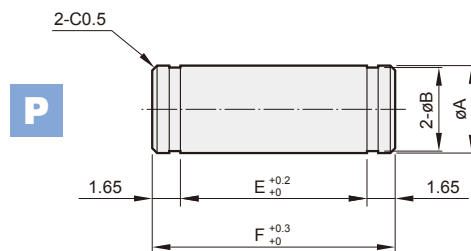
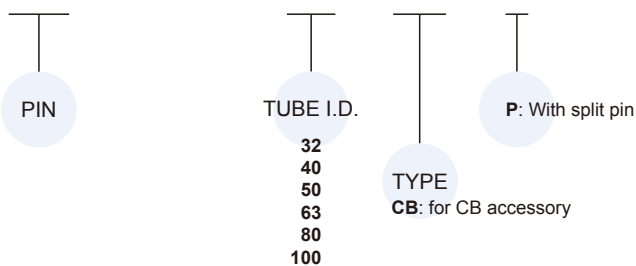
Code Tube I.D.	CB	CD	FL	L	MR	UB	ZE
32	26	10	22	13	10	45	73
40	28	12	25	16	12	52	77
50	32	12	27	16	12	60	80
63	40	16	32	21	16	70	89
80	50	16	36	22	16	90	100
100	60	20	41	29	20	110	118

* $\varnothing 20$, $\varnothing 25$ without CB accessory.

PIN

Order example

PIN — MCJI — 32 — CB — P



Code Tube I.D.	A(e8)	B	C	E	F	Snap ring
32	10	9.6	2.65	45.2	50.5	STW-10
40	12	11.5	2.65	52.2	57.5	STW-12
50	12	11.5	2.65	60.2	65.5	STW-12
63	16	15.2	2.65	70.2	75.5	STW-16
80	16	15.2	2.65	90.2	95.5	STW-16
100	20	19	2.85	110.3	116	STW-20