



Features

- With the same tube I.D., the gripping stroke is longer compare with other grippers.
- The plain bearing parts are hardened for longer effective life time.
- Three mounting directions are available.
- Magnetic as standard.

Specification

Model	MCHH		
Acting type	Double acting		
Tube I.D. (mm)	20	25	40
Stroke	16	26	41
Medium	Air		
Operating pressure range	0.3~0.7 MPa		
Ambient temperature	-10~+60°C (No freezing)		
Lubrication (*)	Not required		
Repeatability	± 0.04 mm		
Sensor switch	PS: Reed switch, PSN: NPN, PSP: PNP		
Weight (kg)	0.26	0.57	1.42

* Re-lubrication after fingers approx. 1.5 million cycles recommended.

Order example

MCHH – 25 M

MODEL

TUBE I.D.

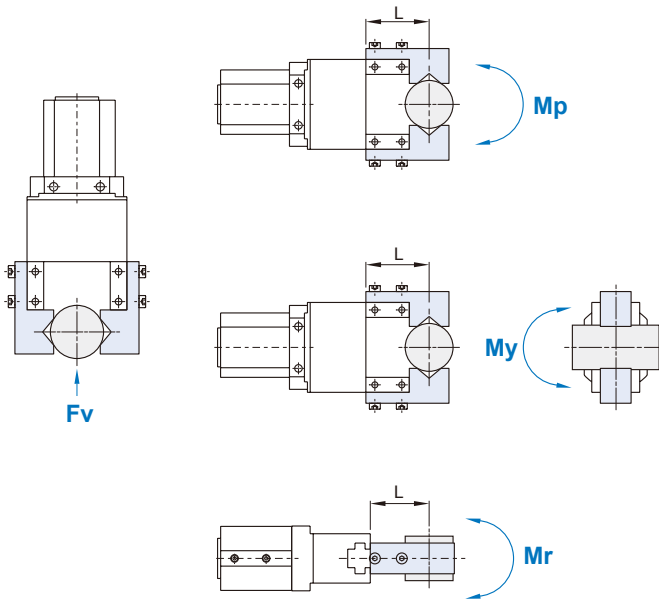
20
25
40

M: Magnet

* Magnetic as standard.

Confirmation of external force on fingers

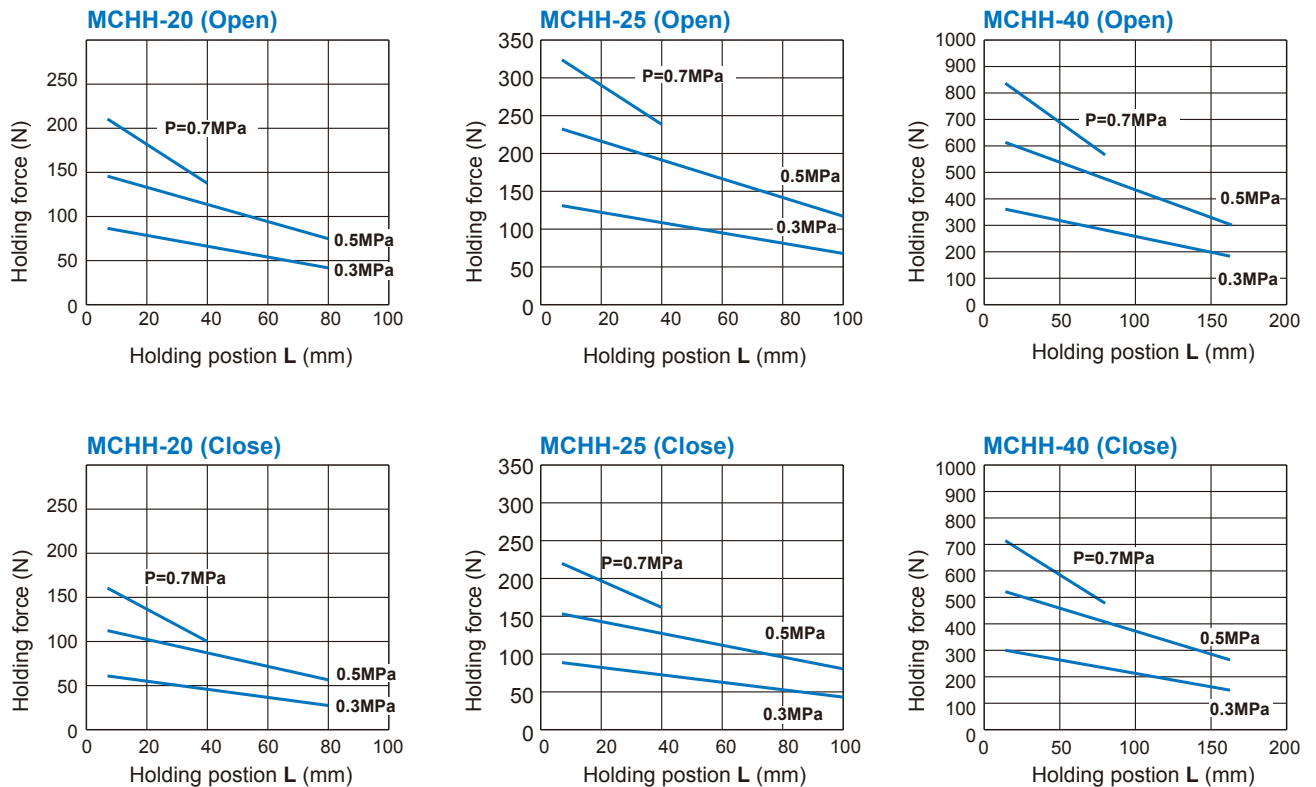
L: Distance to the point at which the load is applied (mm)



Tube I.D. (mm)	Allowable vertical load F_v (N)	Maximum allowable moment	
		Pitch moment & Yaw moment M_p / M_y (N-m)	Roll moment M_r (N-m)
20	56.55	0.41	0.83
25	80.86	0.78	1.56
40	371.56	4.58	9.17

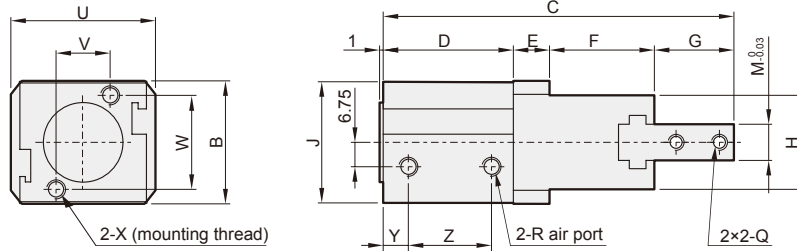
* Values for load and moment in the table indicate static values.

Effective gripping force

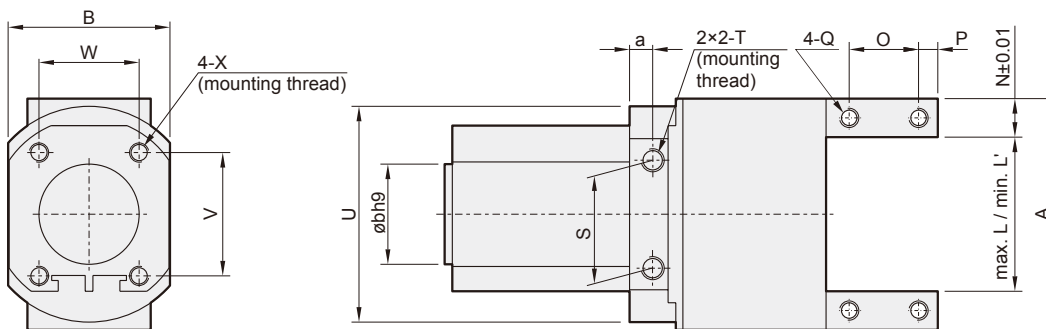
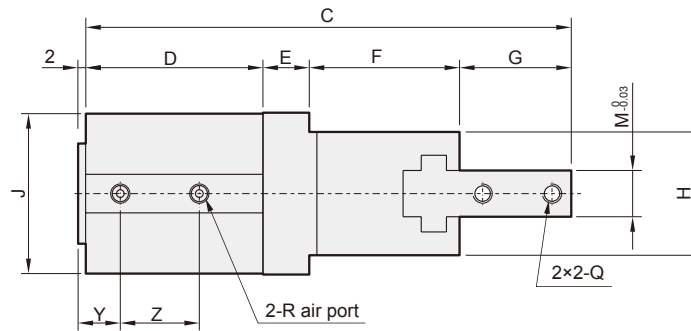


PARALLEL GRIPPER (2-Finger)

$\phi 20$



$\phi 25, \phi 40$



Code Model	A	a	B	b	C	D	E	F	G	H	J	L	L'	M	N	O	P	Q	R	S	T	U	V	W	X	Y	Z
MCHH-20	40	5	34	22	97	36	10	29	22	26	33.5	24	8	10	8	12	4	M4×0.7	M5×0.8	24	M5×0.8×12dp	40	15	26	M5×0.8×10dp	7	23
MCHH-25	60	6	42	26	126	46	12	39	29	32	41.5	40	14	12	10	18	5	M5×0.8	M5×0.8	28	M6×1.0×14dp	$\phi 56$	32	26	M5×0.8×12dp	11	28.5
MCHH-40	92	8	60	42	167	57	15	58	37	38	59	68	27	14	12	20	7	M6×1.0	Rc1/8	42	M8×1.25×14dp	$\phi 82$	44	34	M6×1.0×15dp	12	35