

Features

- Positioning of Square work pieces.
- The housing: high-tensile aluminum and special hard-coated.
- The 4-jaw grippers is designed in lower height with long stroke.
- Magnetic as standard.

Specification

Model	MCHGF				
Acting type	Double acting				
Body diameter(mm)	50	64	80	100	125
Stroke (mm)	8	12	16	20	26
Medium	Air				
Operating pressure range	0.2~0.8 MPa				
Repeatability	±0.05 mm				
Ambient temperature	-10°C~+60°C (No freezing)				
Lubrication (*1)	Not required				
Sensor switch (*2)	RH: Reed switch, RHN: NPN, RHP: PNP				
Weight (kg)	0.24	0.42	0.85	1.51	2.45

*1. Maintenance: Re-Lubrication after appr. 1.5 million cycles recommended.
 *2. RH specification, please refer to page 5-12.

Order example

MCHGF — 64M

MODEL

BODY DIAMETER
50, 64, 80
100, 125

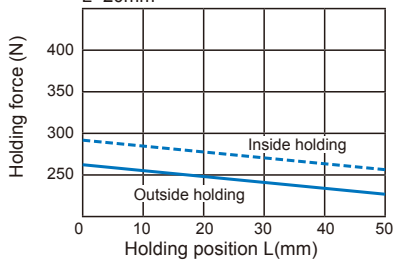
M: Magnet

* Magnetic as standard.

Gripping force in relation to the holding position "L" at 0.6 MPa

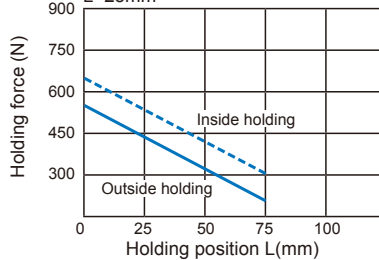
MCHGF-50

Work piece weight 1.3kg (recom.)
L=20mm



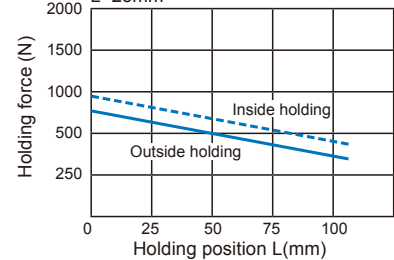
MCHGF-64

Work piece weight 3kg (recom.)
L=25mm



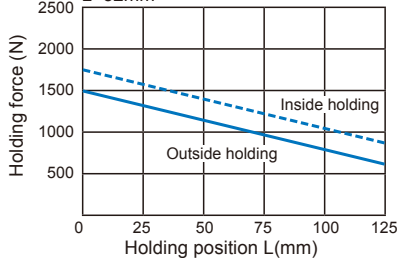
MCHGF-80

Work piece weight 5.3kg (recom.)
L=25mm



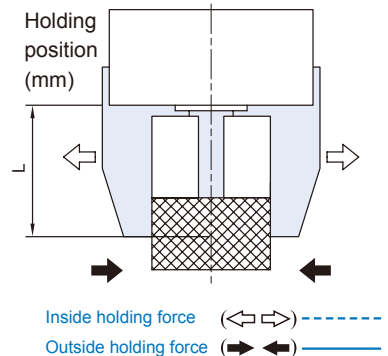
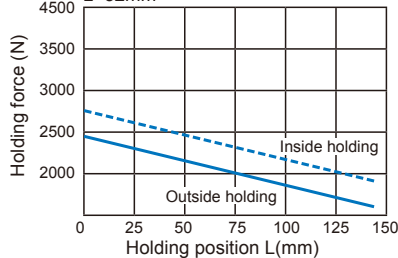
MCHGF-100

Work piece weight 9kg (recom.)
L=32mm



MCHGF-125

Work piece weight 15.5kg (recom.)
L=32mm



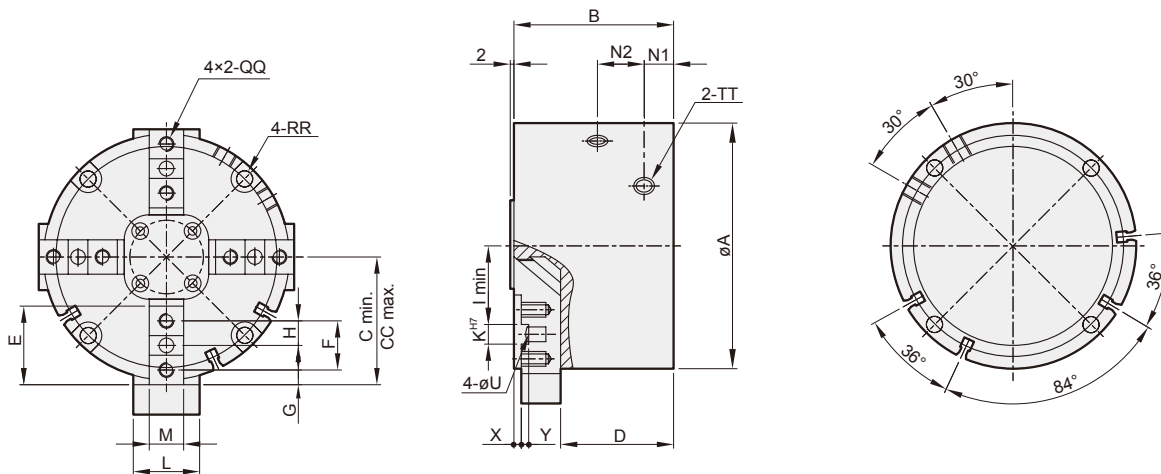
- With reference to the holding force, under the condition must be considered.
- Condition: friction coefficient, great acceleration impact is expected during work piece rotate.
- It recommend: select a type of arithmetic holding force that can produce 10 to 20 times for work piece weight.

MCHGF Dimensions $\phi 50 \sim \phi 125$



PARALLEL GRIPPER (4-Finger)

Mindman



Code Model	A	B	C	CC	D	E	F	G	H	I	K	L	M	N1	N2
MCHGF-50	50	39	26.5	30.5	28	18	12	3	6	15	5	14	8.2	8.1	14.8
MCHGF-64	64	47.5	32	38	32	20	13	4	6.5	19	5	17	10.2	10	16.5
MCHGF-80	80	56.5	42	50	39.5	25	16	5	8	26	6	23	12.2	10	22
MCHGF-100	100	65	52	62	46	32	20	6	10	32	8	27	14.2	12	24
MCHGF-125	125	76	65.5	78.5	53.5	40	24	8.5	12	41	8	30	16.2	13.5	28.5

Code Model	QQ	RR	TT	U	X	Y
MCHGF-50	M3×0.5×7dp	ø3.4 thru, 7C/B×5dp P.C.D44	M5	4	—	2
MCHGF-64	M4×0.7×8dp	ø5.5 thru, 10C/B×6dp P.C.D56	M5	4	2	2.5
MCHGF-80	M5×0.8×9dp	ø6.4 thru, 11C/B×7dp P.C.D70	M5	5	3	3
MCHGF-100	M6×1.0×12dp	ø6.6 thru, 11C/B×7dp P.C.D90	Rc1/8	6	3	3
MCHGF-125	M6×1.0×12dp	ø8.5 thru, 15C/B×9dp P.C.D112	Rc1/8	6	3	3.5

MCHGF-50 auto switch mounting groove position

