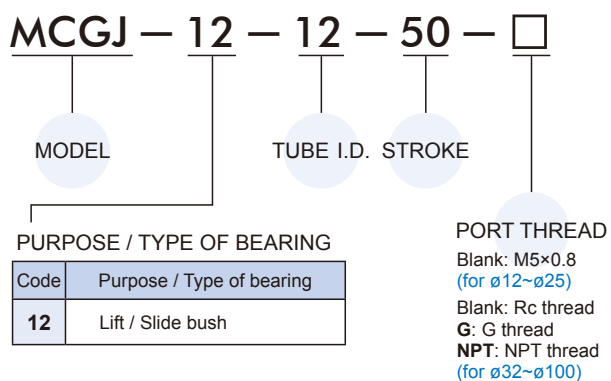





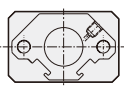
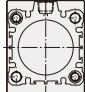

Order example



Features

- Higher loading capacity compared to unguided standard compact cylinders.
- Wide range of bore sizes available 12mm ~ 100mm.
- Up to 6 flush fitting reed switches can be mounted.
- Piston rod available in high resistant carbon steel or stainless steel.
- Magnetic as standard.

Specification

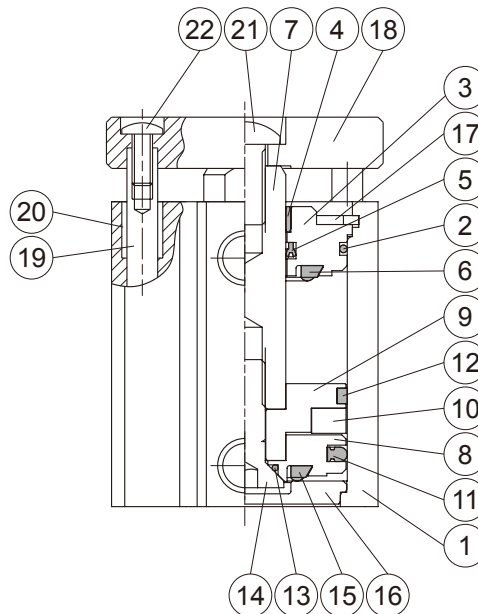
Model	MCGJ			
Model (Up view)				
Acting type	Double acting			
Tube I.D. (mm)	12,16	20,25	32,40	50,63,80,100
Port size	M5×0.8		Rc1/8	Rc1/4
Medium	Air			
Operating pressure range	0.1~1 MPa			
Proof pressure	1.5 MPa			
Ambient temperature	-5~+60°C (No freezing)			
Cushion	Without	With rubber cushion pad		
Available speed range	50~500 mm/sec			
Lubrication	Not required			
Sensor switch (*)	RCB		●	●
	RCE, RCE1	●	●	●
	RDEP	●	●	●

* RCB, RCE, RCE1, RDEP specification, please refer to page 8-8,10,14.

Table for standard stroke

Series variety (Bearing type)	Tube I.D.	Stroke (mm)									
		5	10	15	20	25	30	35	40	45	50
MCGJ (Slide bush)	ø12										
	ø16										
	ø20										
	ø25										
	ø32*										
	ø40										
	ø50										
	ø63										
	ø80										
	ø100										

* Please consult us if stroke out of specification.



Material

No.	Part name	Material	Q'y	Repair kits (inclusion)
1	Body	Aluminum alloy	1	
2	Cover ring	NBR	2	●
3	Rod cover	Aluminum alloy	1	
4	Rod bush	Bearing alloy (for $\phi 40\sim\phi 100$)	1	
5	Rod packing	NBR	1	●
6	Rod cushion	NBR	1	●
7	Piston rod	Carbon steel	1	
8	Piston	Aluminum alloy	1	
9	Piston for magnet ring	Aluminum alloy	1	
10	Magnet ring	Magnet material	1	
11	Piston packing	NBR	1	●
12	Wear ring	Teflon	1	
13	Piston gasket	NBR	1	●
14	Bolt for piston	Carbon steel	1	
15	Head cushion	NBR	1	●
16	End cover	Aluminum alloy	1	
17	Snap ring	Spring steel	1	
18	Plate	Aluminum alloy	1	
19	Guide rod	Carbon steel	2	
20	Guide rod bush	Bearing alloy	2	
21	Bolt for piston rod	Carbon steel	1	
22	Bolt for guide rod	Carbon steel	2	

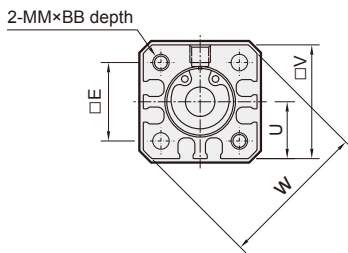
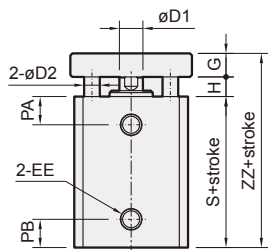
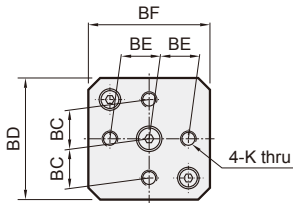
Order example of repair kits

Tube I.D.	Repair kits
$\phi 12$	PS-MCGJ-12
$\phi 16$	PS-MCGJ-16
$\phi 20$	PS-MCGJ-20
$\phi 25$	PS-MCGJ-25
$\phi 32$	PS-MCGJ-32
$\phi 40$	PS-MCGJ-40
$\phi 50$	PS-MCGJ-50
$\phi 63$	PS-MCGJ-63
$\phi 80$	PS-MCGJ-80
$\phi 100$	PS-MCGJ-100

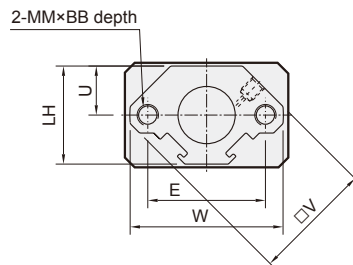
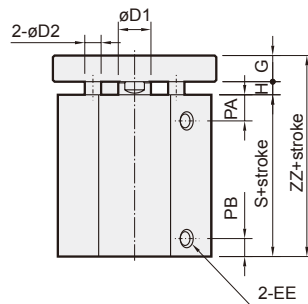
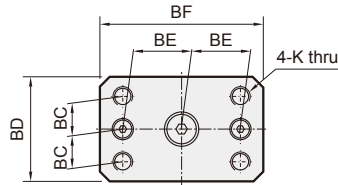
TWIN-GUIDE CYLINDER

Mindman

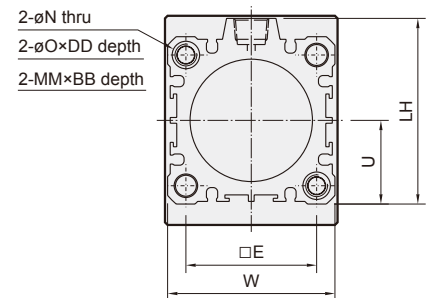
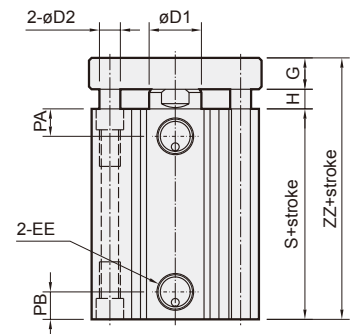
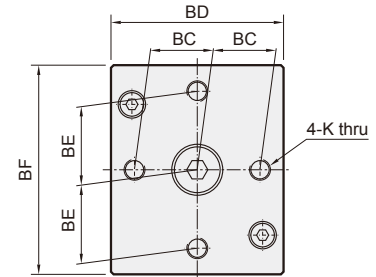
$\phi 12, \phi 16$



$\phi 20, \phi 25$

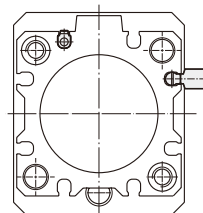
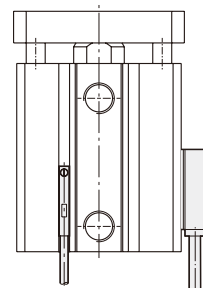
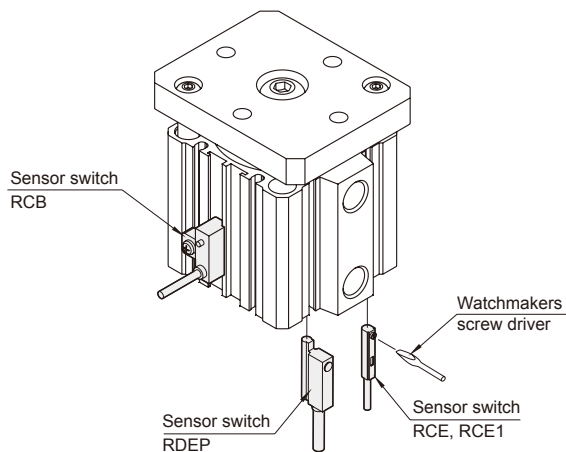


$\phi 32\sim\phi 100$



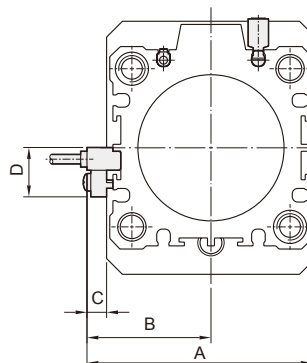
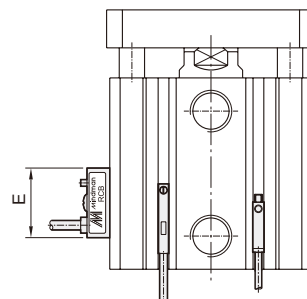
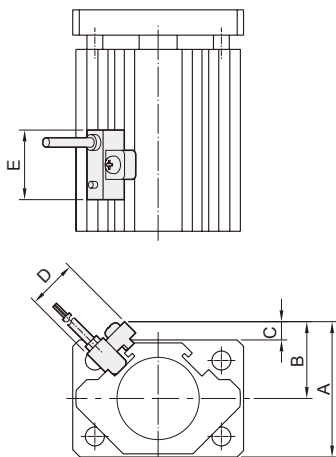
Code Tube I.D.	BB	BC	BD	BE	BF	D1	D2	DD	E	EE	G	H	K	LH	MM	N	O	PA	PB	S	U	V	W	ZZ
12	10	9	27	9	27	6	4		15.5	M5×0.8	6	4.5	M4×0.7		M5×0.8			6.5	6.5	22	12.5	25	32	32.5
16	10	10	31	10	31	6	4		20	M5×0.8	6	5	M4×0.7		M5×0.8			7.2	7.2	28.5	14.5	29	38	39.5
20	10	10	32	18	50	10	5		36	M5×0.8	8	4	M6×1.0	30	M6×1.0			8	5.5	29.5	15	37	47	41.5
25	10	12	37	20	54	12	5		40	M5×0.8	8	4.5	M6×1.0	35	M6×1.0			9.5	5.5	32.5	17.5	40	52	45
32	10	16	47	20	56	16	6	7	34	Rc1/8	10	6.5	M6×1.0	49.5	M6×1.0	5.5	9	10.5	8	33	22.5		45	49.5
40	10	19	54	25	64	16	6	7	40	Rc1/8	10	6.5	M8×1.25	57	M6×1.0	5.5	9	11	8	39.5	26		52	56
50	14	24	66	30	80	20	8	8	50	Rc1/4	12	7.5	M8×1.25	71	M8×1.25	6.6	10.5	10.5	10.5	40.5	32		64	60
63	18	31	80	38	94	20	10	10.5	60	Rc1/4	12	7.5	M8×1.25	84	M10×1.5	9	14	14.5	10.5	46	38.5		77	65.5
80	22	38	100	40	108	25	12	11	77	Rc1/4	15	15	M10×1.5	104	M12×1.75	11	17.5	20	12	52	49		98	82
100	22	46	120	48	128	30	12	11	94	Rc1/4	18	19	M10×1.5	123.5	M12×1.75	11	17.5	22	13	57.5	58.5		117	94.5

Sensor switch: RCE, RCE1, RDEP
 $\varnothing 12, \varnothing 16, \varnothing 32, \varnothing 40$



Sensor switch: RCB
 $\varnothing 20, \varnothing 25$

Sensor switch: RCB, RCE, RCE1, RDEP
 $\varnothing 50\sim\varnothing 100$



Code Tube I.D.	A	B	C	D	E
20	38	22	6	16	22
25	43	25	6	16	22
50	72	40	6	16	22
63	85	46.5	6	16	22
80	106	57	6	16	22
100	125	66.5	6	16	22