

MATFR401 series

AIR UNIT (F.R.UNIT)



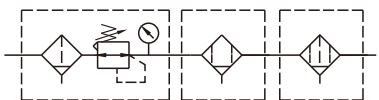
Specification

Model	MATFR401		
Bore No.	8A	10A	15A
Port size	1/4	3/8	1/2
Medium	Air		
Operating pressure range (*)	0.05~1.5 MPa		
Proof pressure	2 MPa		
Regulated pressure range	Standard type: 0.1~0.85 MPa		
	High pressure type: 0.1~1.5 MPa		
Ambient temperature	- 5~+60°C (No freezing)		
Filter element	5 μm+0.3 μm+0.01 μm		
Attachment	Pressure gauge (PG-20)		
Weight	2106 g		

* Standard unit contains semi-auto-drain function when operating pressure below 0.05 MPa.

* Choose auto-drain FMRF300, the pressure range is 0.15~1 MPa.

Symbol



Order example

MATRF401 - 8A - □ - □ - E1 - B - □

MODEL

PORT SIZE

8A: 1/4
10A: 3/8
15A: 1/2

(Option)

PRESSURE SWITCH

E1: MP41P-022
E2: MP41P-022-QD
E5: MP41P-042
E6: MP41P-042-QD

PORT THREAD

Blank: Rc thread
G: G thread
NPT: NPT thread

EXTERIOR COLOR

Blank: Black & silver
W: Gray & white

Blank: Standard type (PG-20)
C: External pressure gauge (PG-40)
D: Auto drain valve (FMRF300)
CH: High pressure type + External pressure gauge (PG-40)

Blank: Without bracket
B: C type basket

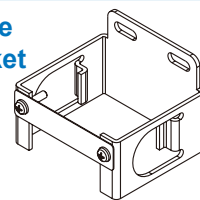
* High pressure type (CH) can not choose with auto drain valve (D) when operating pressure over than 1 MPa.

* PG-40 (C) and MP41 (E*) can not be selected at the same time.

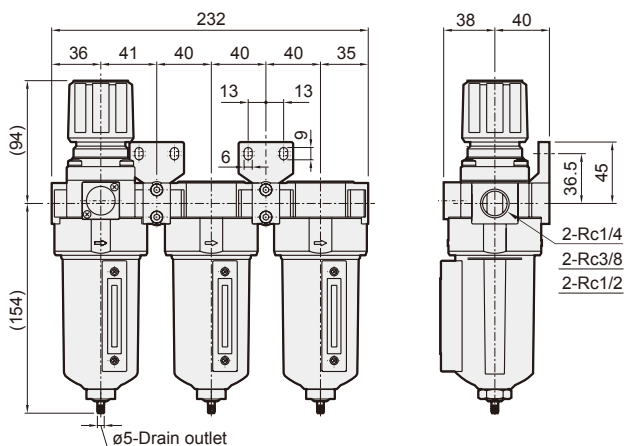
* Refer to page 5-11 for the option of digital pressure switch MP41 (E*).

Option accessories

C type bracket



MATFR401



MATFR401-B

