

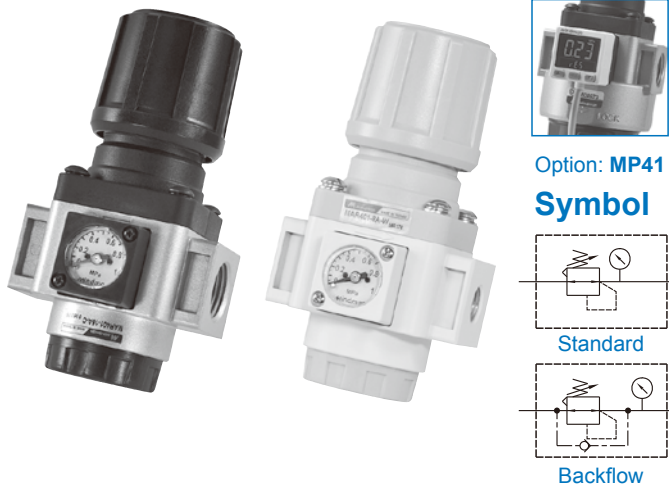
# MAR401 series

## AIR UNIT (R.UNIT)

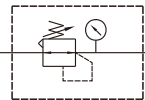


### Specification

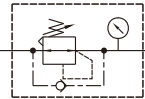
Model	MAR401		
Bore No.	8A	10A	15A
Port size	1/4	3/8	1/2
Medium	Air		
Max. operating pressure	1.5 MPa		
Proof pressure	2 MPa		
Regulated pressure range	Standard type: 0.1~0.85 MPa		
	High pressure type: 0.1~1.5 MPa		
Ambient temperature	- 5~+60°C (No freezing)		
Attachment	Pressure gauge (PG-20), L-type bracket		
Weight	450 g		



Option: **MP41**  
**Symbol**

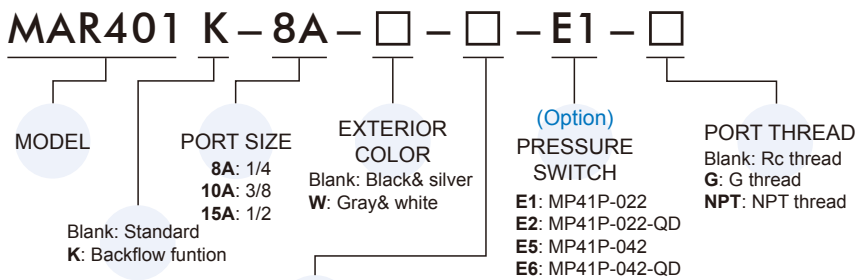


Standard



Backflow

### Order example

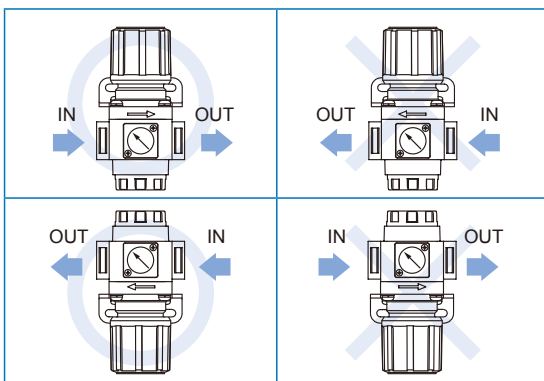


Blank: Standard type (PG-20)  
C: External pressure gauge (PG-40)  
CH: High pressure type + External pressure gauge (PG-40)  
P: Pressure switch (MPS series)

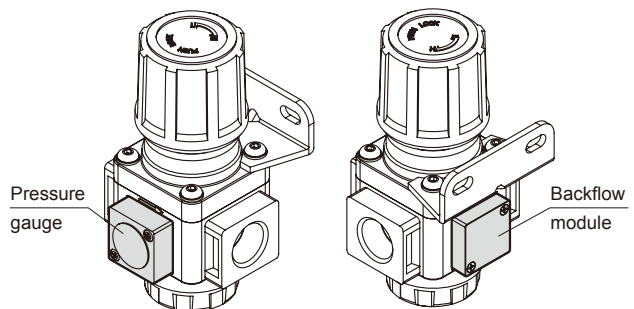
- \* The backflow module can not be exchange with gauge.  
When choosing the flow direction is left to right, the knob is up.
- \* PG-40 (C) and MP41 (E\*) can not be selected at the same time.
- \* Refer to page 5-11 for the option of digital pressure switch MP41 (E\*).

### Precautions

When choosing the flow direction, the backflow module can not be exchange with gauge. If you have special order request, please contact the business.



### Instructions



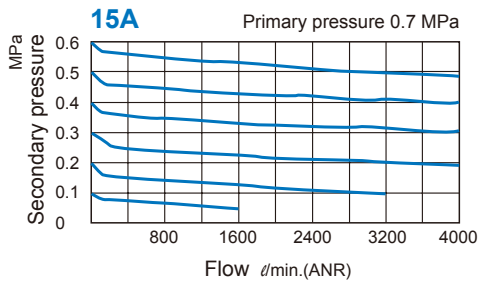
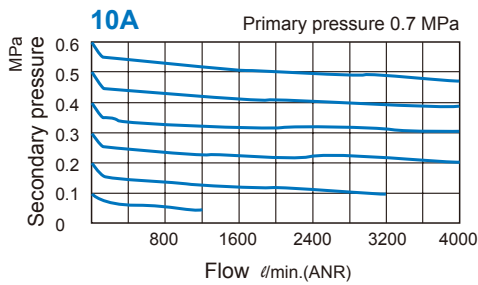
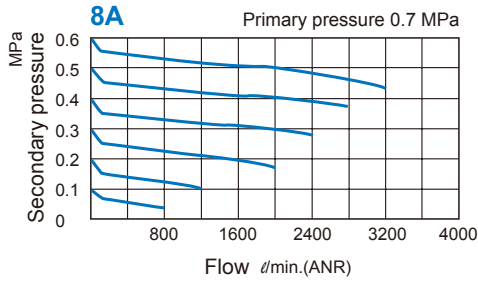
- When the air supply is cut off, the inlet pressure less than outlet pressure, the residual pressure return to the inlet side.
- Please set the inlet pressure to at least 0.05MPa higher than the set pressure.

# MAR401 Capacity / Dimensions

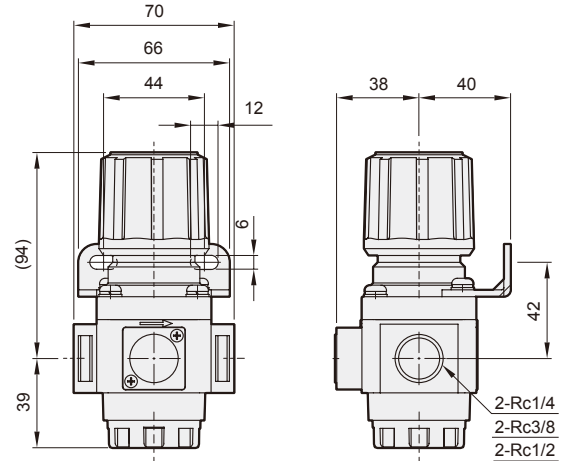
AIR UNIT (R.UNIT)



## Flow feature



## Dimensions



**MAR401-P**

MPS Series  
pneumatic pressure switch

