

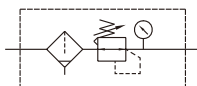
# MAFR501 series

**AIR UNIT (F.R.UNIT)**



Option: **MP41**

### Symbol



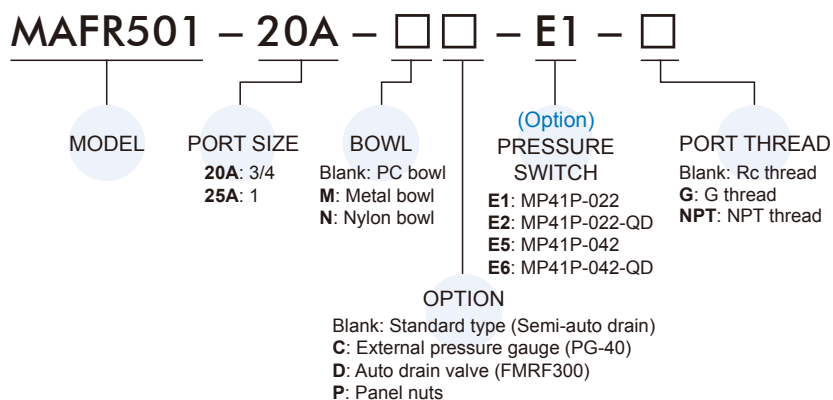
### Specification

Model	MAFR501	
Components	MAFR501, MAL501	
Bore No.	20A	25A
Port size	3/4	1
Medium	Air	
Operating pressure range (*)	0.05~1 MPa	
Proof pressure	1.5 MPa	
Regulated pressure range	0.1~0.85 MPa	
Ambient temperature	- 5~+60°C (No freezing)	
Filter element	40µm	
Drain capacity	PC, Nylon bowl: 75 cm <sup>3</sup>	
	Metal bowl: 70 cm <sup>3</sup>	
Attachment	Pressure gauge(PG-20), L-type bracket	
Weight	PC, Nylon bowl: 1940 g	
	Metal bowl: 2060 g	

\* Standard unit contains semi-auto drain function when operating pressure below 0.05 MPa.

\* Choose auto-drain FMRF300, the pressure range is 0.15~1 MPa.

### Order example

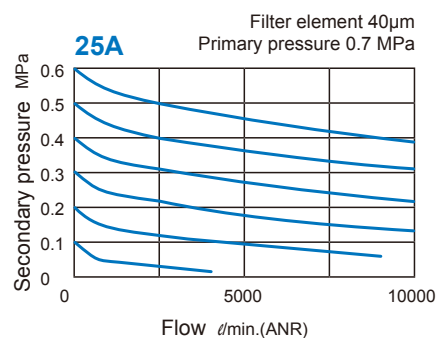
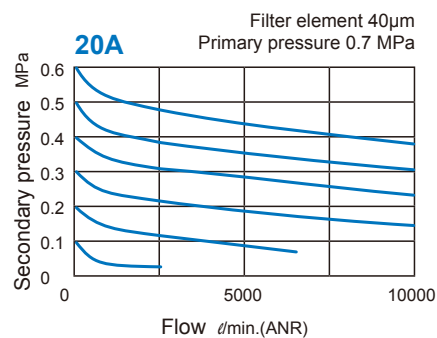


\* Metal bowl (M) and nylon bowl (N) can not be selected at the same time.

\* PG-40 (C) and MP41 (E\*) can not be selected at the same time.

\* Refer to page 5-11 for the option of digital pressure switch MP41 (E\*).

### Flow feature

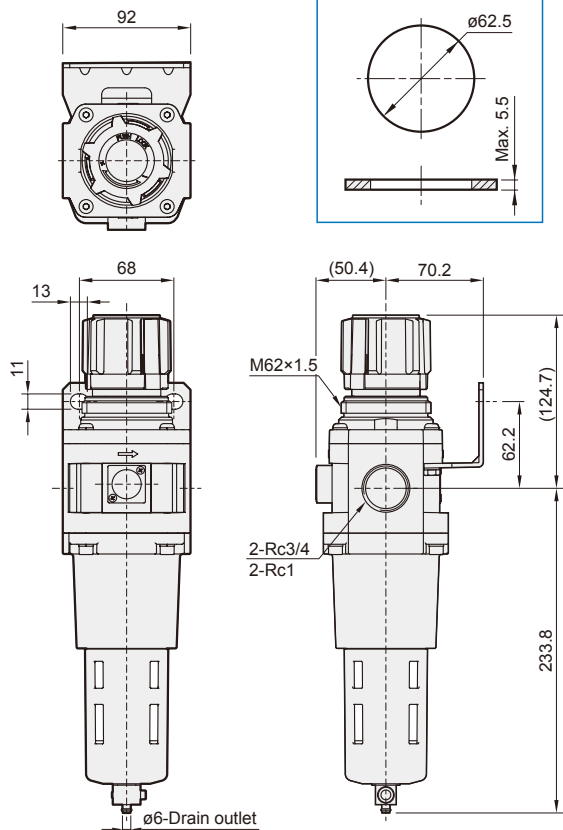


# MAFR501 Dimensions

AIR UNIT (F.R.UNIT)

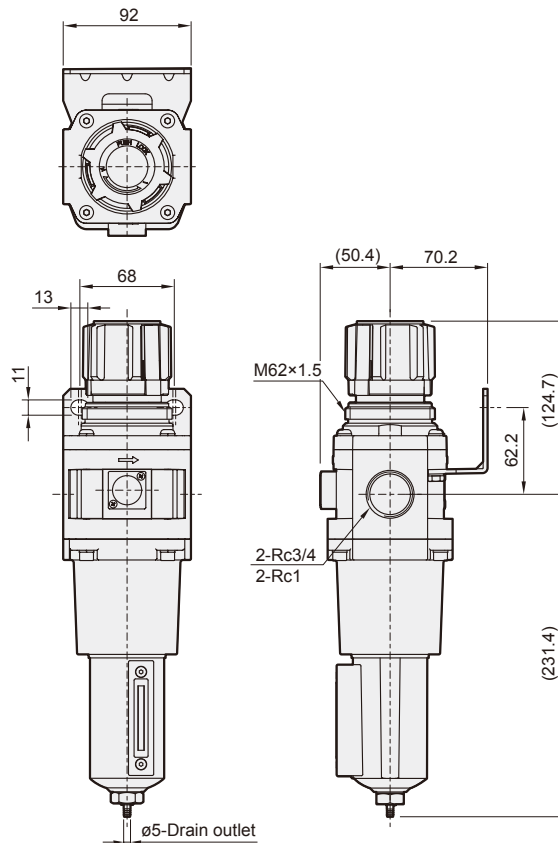


Panel mounting hole



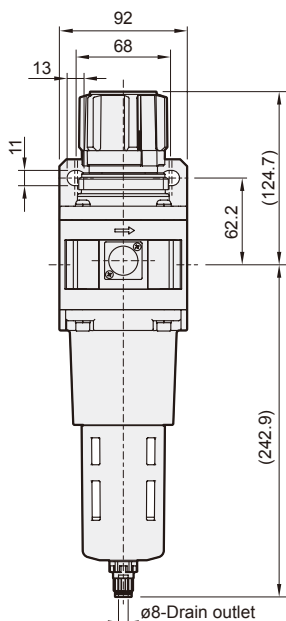
MAFR501-M

Metal bowl



MAFR501-D

Auto drain valve



MAFR501-MD

Metal bowl + auto drain valve

