

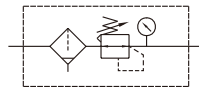
MAFR401 series

AIR UNIT (F.R.UNIT)



Option: **MP41**

Symbol



Specification

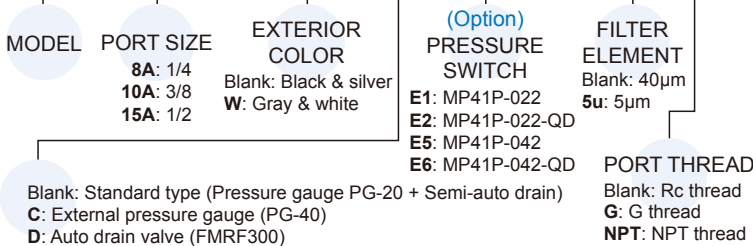
Model	MAFR401		
Bore No.	8A	10A	15A
Port size	1/4	3/8	1/2
Medium	Air		
Operating pressure range (*)	0.05~1.5 MPa		
Proof pressure	2 MPa		
Regulated pressure range	Standard type: 0.1~0.85 MPa		
	High pressure type: 0.1~1.5 MPa		
Ambient temperature	- 5~+60°C (No freezing)		
Filter element	Standard: 40µm, Option: 5µm		
Drain capacity	70 cm ³		
Attachment	Pressure gauge(PG-20),L-type bracket		
Weight	800 g		

* Standard unit contains semi-auto-drain function when operating pressure below 0.05 MPa.

* Choose auto-drain FMRF300, the pressure range is 0.15~1 MPa.

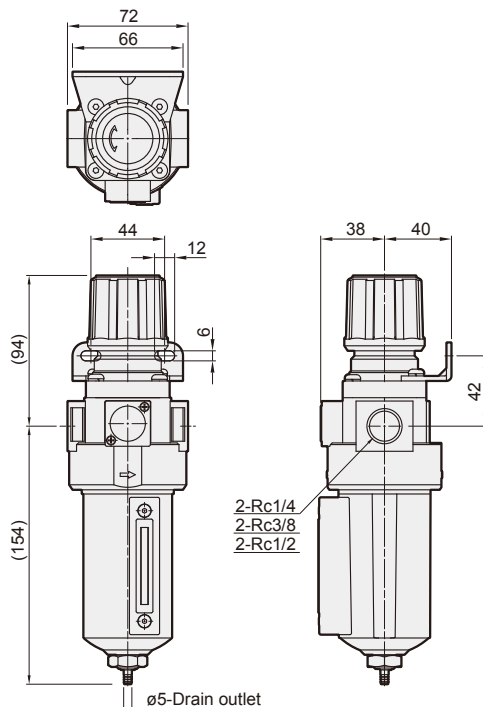
Order example

MAFR401 - 8A - [] - [] - E1 - [] - []

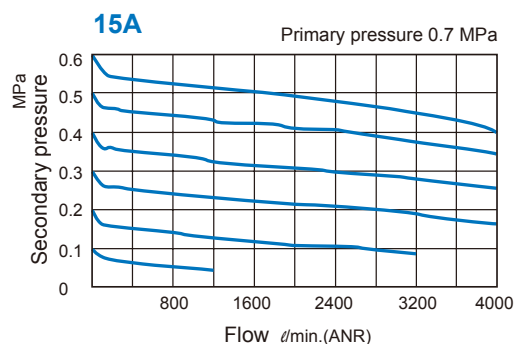
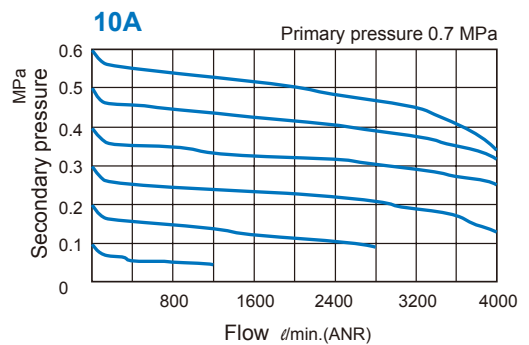
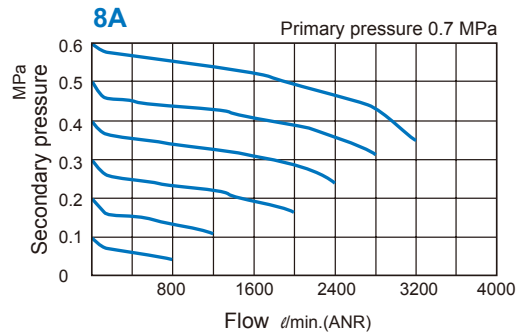


Blank: Standard type (Pressure gauge PG-20 + Semi-auto drain)
C: External pressure gauge (PG-40)
D: Auto drain valve (FMRF300)
CH: High pressure type + External pressure gauge (PG-40)
P: Pressure switch (MPS series)

- * High pressure type (CH) can not choose with auto drain valve (D) when operating pressure over than 1 MPa.
- * PG-40 (C) and MP41 (E*) can not be selected at the same time.
- * Refer to page 5-11 for the option of digital pressure switch MP41 (E*).



Flow feature



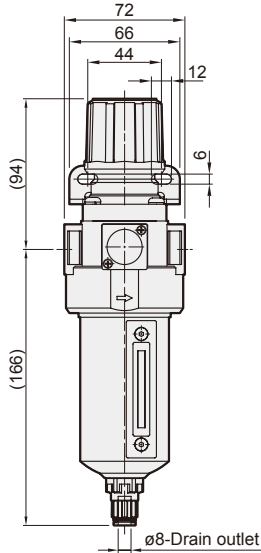
MAFR401/MAFR401-HT Dimensions



AIR UNIT (F.R.UNIT)

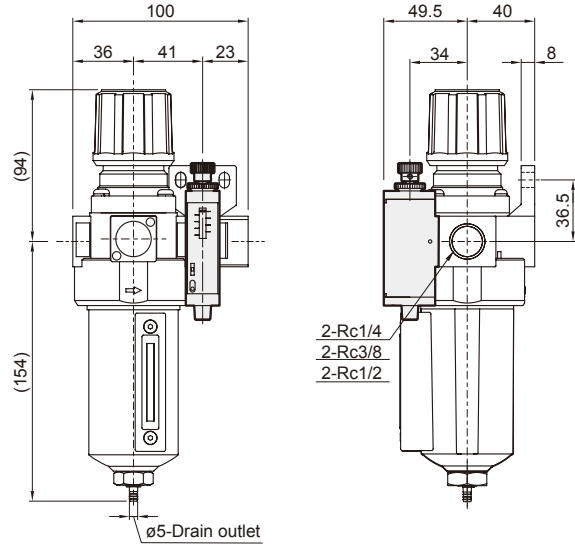
MAFR401-D*

Auto drain valve



MAFR401-P

MPS Series
pneumatic pressure switch



MAFR401-HT

With shutoff valve (MVHT-400)



Order example

MAFR401 - 8A - □ - □ - E1 - □ - HT - □

MODEL	PORT SIZE	EXTERIOR COLOR	(Option) PRESSURE SWITCH	FILTER ELEMENT	PORT THREAD
	8A: 1/4 10A: 3/8 15A: 1/2	Blank: Black& silver W: Gray& white	E1: MP41P-022 E2: MP41P-022-QD E5: MP41P-042 E6: MP41P-042-QD	Blank: 40µm 5u: 5µm	Blank: Rc thread G: G thread NPT: NPT thread

Blank: Standard type (Pressure gauge PG-20 + Semi-auto drain)
C: External pressure gauge (PG-40)
D: Auto drain valve (FMRF300)
CH: High pressure type + External pressure gauge (PG-40)
P: Pressure switch (MPS series)

SHUTOFF VALVE
HT: MVHT-400-3H

- * High pressure type (CH) can not choose with auto drain valve (D) when operating pressure over than 1 MPa.
- * PG-40 (C) and MP41 (E*) can not be selected at the same time.
- * Refer to page 5-11 for the option of digital pressure switch MP41 (E*).

