

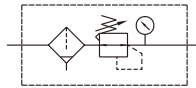
# MAFR302 series

**AIR UNIT (F.R.UNIT)**



Option: **MP41**

## Symbol



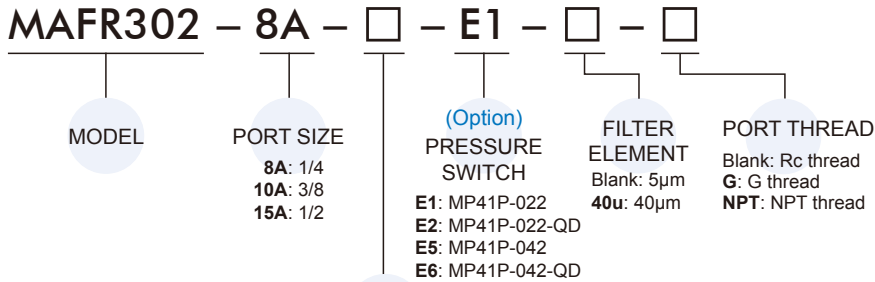
## Specification

Model	MAFR302		
Bore No.	8A	10A	15A
Port size	1/4	3/8	1/2
Medium	Air		
Operating perssure range (*)	0.05~1 MPa		
Proof pressure	1.5 MPa		
Regulated pressure range	0.05~0.85 MPa		
Ambient temperature	- 5~+60°C (No freezing)		
Filter element	Standard: 5μm, Option: 40μm		
Drain capacity	35 cm <sup>3</sup>		
Attachment	Pressure gauge (PG-20), bracket		
Weight	490 g		

\* Standard unit contains semi-auto-drain function when operating pressure below 0.05 MPa.

\* Choose auto-drain FMRF300, the pressure range is 0.15~1 MPa.

## Order example



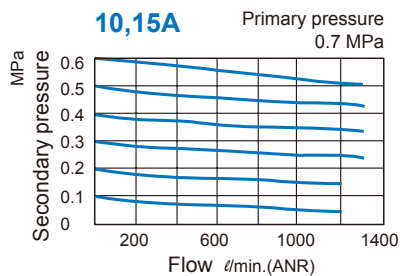
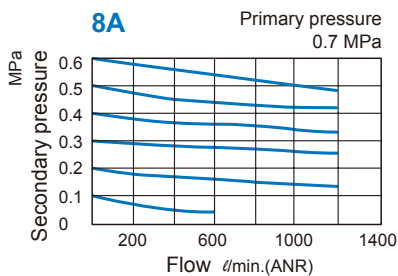
Blank: Standard type (PC bowl + Semi-auto drain)  
C: External pressure gauge (PG-40)  
D: Auto drain valve (FMRF300)  
N: Nylon bowl

\* PG-40 (C) and MP41 (E\*) can not be selected at the same time.

\* Be sure to use above check valves when redirecting the air flow on the inlet side of the lubricator.

\* Refer to page 5-11 for the option of digital pressure switch MP41 (E\*).

## Flow feature

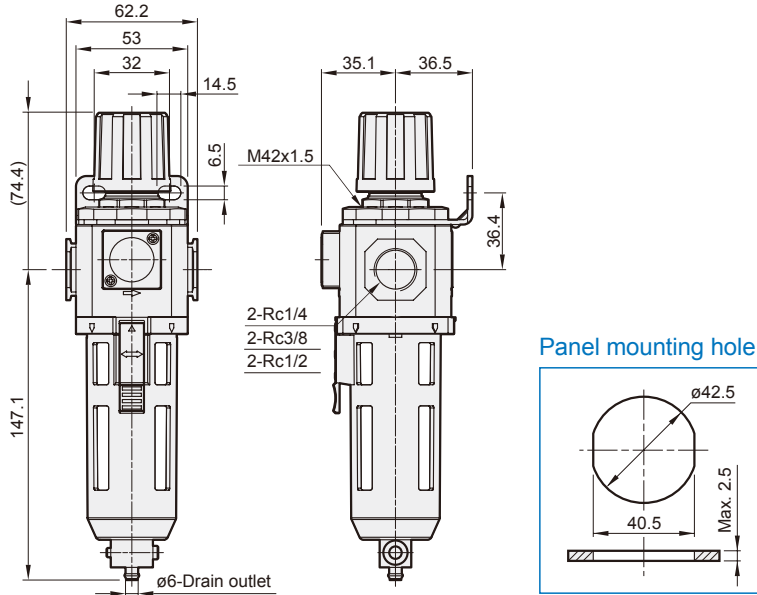


# MAFR302 / MAFR302-HT Dimensions



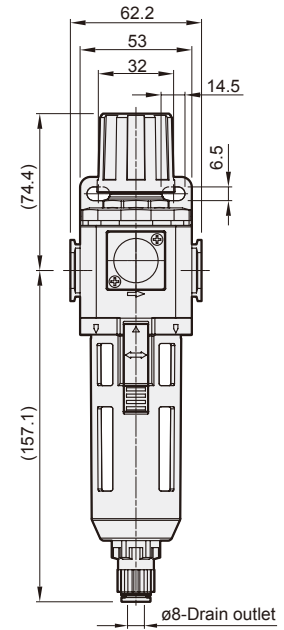
**AIR UNIT (F.R.UNIT)**

**mindman**



## MAFR302-D\*

Auto drain valve



## MAFR302-HT

With shutoff valve (MVHT-302)



## Order example

**MAFR302 - 8A - □ - E1 - □ - HT - □**

MODEL

PORT SIZE

8A: 1/4  
10A: 3/8  
15A: 1/2

(Option)

PRESSURE SWITCH

E1: MP41P-02  
E2: MP41P-02-QD  
E3: MP41P-02-J  
E4: MP41P-02-QD-J  
E5: MP41P-04  
E6: MP41P-04-QD  
E7: MP41P-04-J  
E8: MP41P-04-QD-J

FILTER ELEMENT  
Blank: 5µm  
40u: 40µm

PORT THREAD  
Blank: Rc thread  
G: G thread  
NPT: NPT thread

Blank: Standard type  
(PC bowl + Semi-auto drain)  
C: External pressure gauge (PG-40)  
D: Auto drain valve (FMRF300)  
N: Nylon bowl

SHUTOFF VALVE  
HT: MVHT-302-3H

\* PG-40 (C) and MP41 (E\*) can not be selected at the same time.

\* Refer to page 5-11 for the option of digital pressure switch MP41 (E\*).

