

MAFF401 AD / DM series

AIR UNIT (MIST / MIST / MICROMIST FILTER)



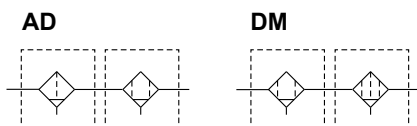
Specification

Model	MAFF401AD	MAFF401DM
Bore No.	8A, 10A, 15A	
Port size	1/4, 3/8, 1/2	
Medium	Air	
Operating pressure range (*)	0.05~1.5 MPa	
Proof pressure	2 MPa	
Ambient temperature	-5~+60°C (No freezing)	
Filter element	5 μm+0.3 μm	0.3 μm+0.01 μm
Weight	1133 g	

* Standard unit contains semi-auto-drain function when operating pressure below 0.05 MPa.

* Choose auto-drain FMRF300, the pressure range is 0.15 ~ 1 MPa.

Symbol



Order example

MAFF401AD-8A-□-D-B-□

MODEL

BORE SIZE

D: Auto drain valve (FMRF300)

PORT THREAD

FILTER ELEMENT

AD: 5 μm+0.3 μm
DM: 0.3 μm+0.01 μm

EXTERIOR COLOR

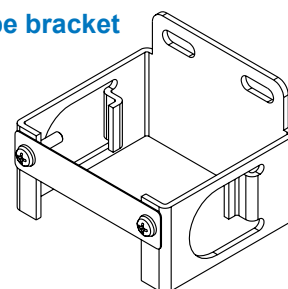
Blank: Black & silver
W: Gray & white

B: C type bracket

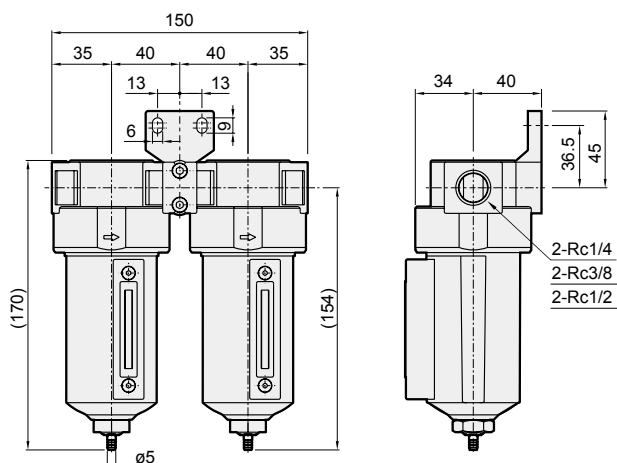
Blank: Rc thread
G: G thread
NPT: NPT thread

Option accessories

C type bracket



MAFF401**



MAFF401**-B

