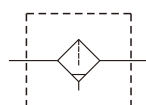


# MAF501 series

## AIR UNIT (FILITER)



### Symbol



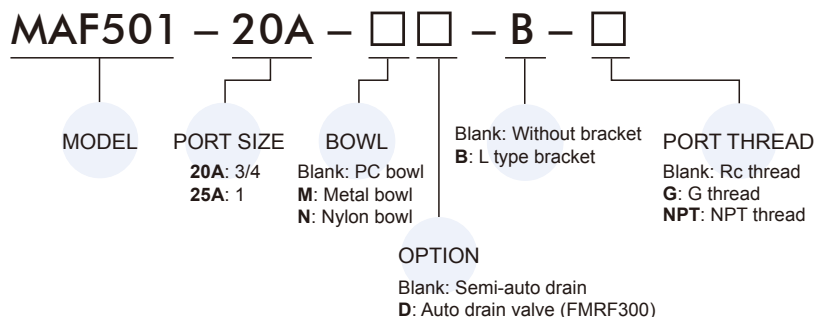
### Specification

Model	MAF501	
Bore No.	20A	25A
Port size	3/4	1
Medium	Air	
Operating perssure range (*)	0.05~1 MPa	
Proof pressure	1.5 MPa	
Regulated pressure range	0.05~0.85 MPa	
Ambient temperature	- 5~+60°C (No freezing)	
Filter element	40 μm	
Drain capacity	Nylon bowl, PC bowl: 75 cm <sup>3</sup>	
	Metal bowl: 70 cm <sup>3</sup>	
Weight	Nylon bowl, PC bowl: 1180g	
	Metal bowl: 1300g	

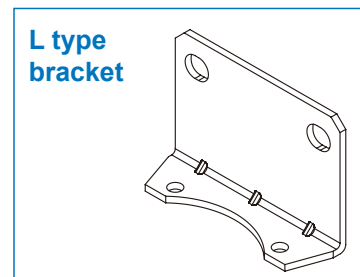
\* Standard unit contains semi-auto-drain function when operating pressure below 0.05 MPa.

\* Choose auto-drain FMRF300, the pressure range is 0.15~1 MPa.

### Order example

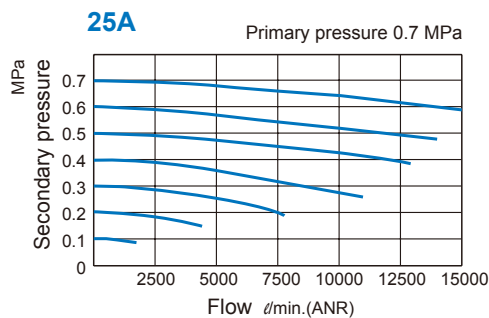
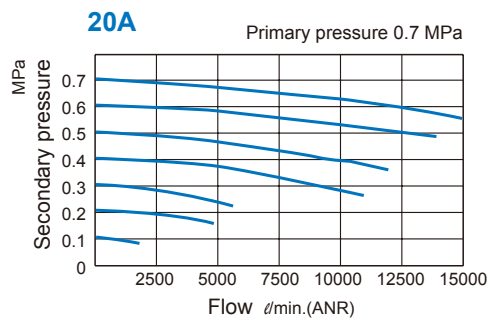


### Option accessories



\* Metal bowl (M) and nylon bowl (N) can not be selected at the same time.

### Flow feature



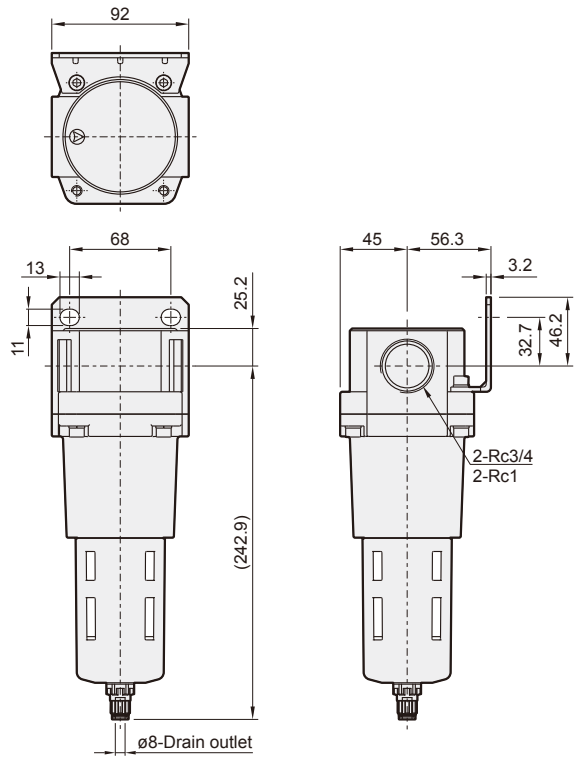
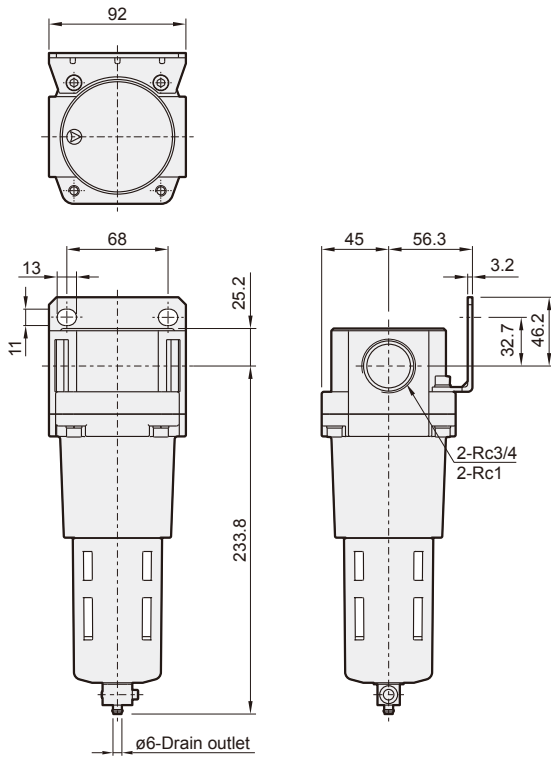
# MAF501 Dimensions

## AIR UNIT (FILTER)



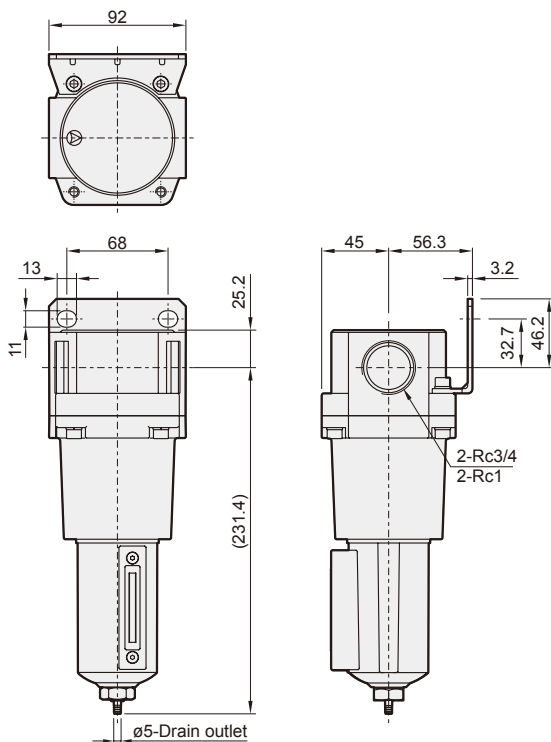
### MAF501-D

Auto drain valve



### MAF501-M

Metal bowl



### MAF501-MD

Metal bowl + auto drain valve

