

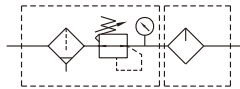
MACP401 series

AIR UNIT (F.R.L.UNIT)



Option: **MP41**

Symbol



Specification

Model	MACP401		
Components	MAFR401, MAL401		
Bore No.	8A	10A	15A
Port size	1/4	3/8	1/2
Medium	Air		
Operating pressure range (*)	0.05~1.5 MPa		
Proof pressure	2 MPa		
Regulated pressure range	Standard type: 0.1~0.85 MPa High pressure type: 0.1~1.5 MPa		
Ambient temperature	- 5~+60°C (No freezing)		
Filter element	Standard: 40μm, Option: 5μm		
Lubricating oil capacity	200c.c		
Min. flow for oil drip	30 ℓ/min	65 ℓ/min	80 ℓ/min
Recommended lubricating oil	Turbine oil ISO-VG32		
Attachment	Pressure gauge (PG-20), L-type bracket		
Weight	1518 g		

* Standard unit contains semi-auto-drain function when operating pressure below 0.05 MPa.

* Choose auto-drain FMRF300, the pressure range is 0.15~1 MPa.

Order example

MACP401-8A-□-□-E1-□-T8-□

MODEL
8A: 1/4
10A: 3/8
15A: 1/2

PORT SIZE

EXTERIOR COLOR
Blank: Black & silver
W: Gray & white

FILTER ELEMENT
Blank: 40μm
5u: 5μm

PORT THREAD
Blank: Rc thread
G: G thread
NPT: NPT thread

Blank: Standard type
(PC bowl + Semi-auto drain)

C: External pressure gauge (PG-40)

D: Auto drain valve (FMRF300)

N: Nylon bowl

CH: High pressure type+
External pressure gauge (PG-40)

P: Pressure switch (MPS series)

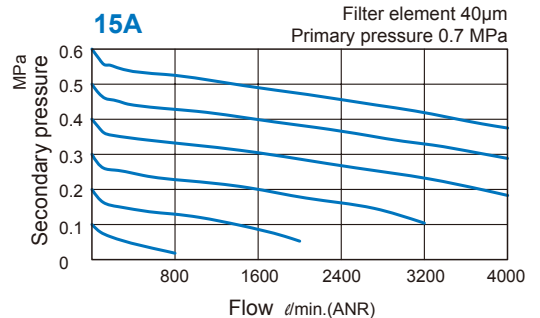
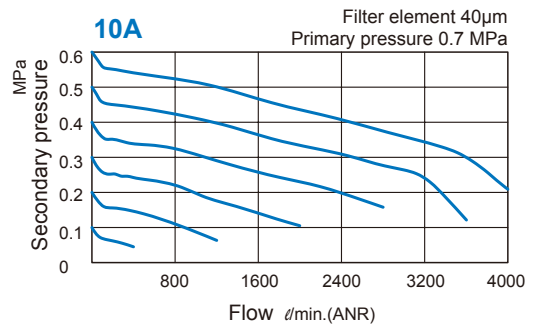
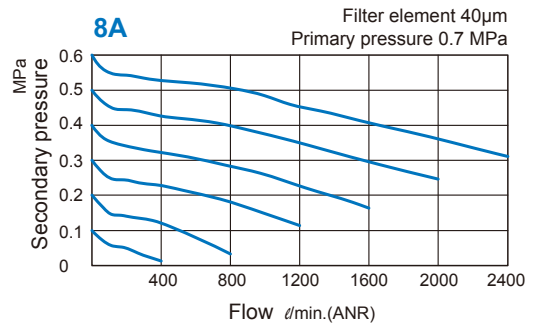
(Option)
PRESSURE SWITCH

E1: MP41P-022
E2: MP41P-022-QD
E5: MP41P-042
E6: MP41P-042-QD

(Option)
BY-PASS PORT SIZE

T type bracket	T8: 1/4 T10: 3/8 T15: 1/2
Check valve	K8: 1/4 K10: 3/8

Flow feature



* High pressure type (CH) can not choose with auto drain valve (D) when operating pressure over than 1 MPa.

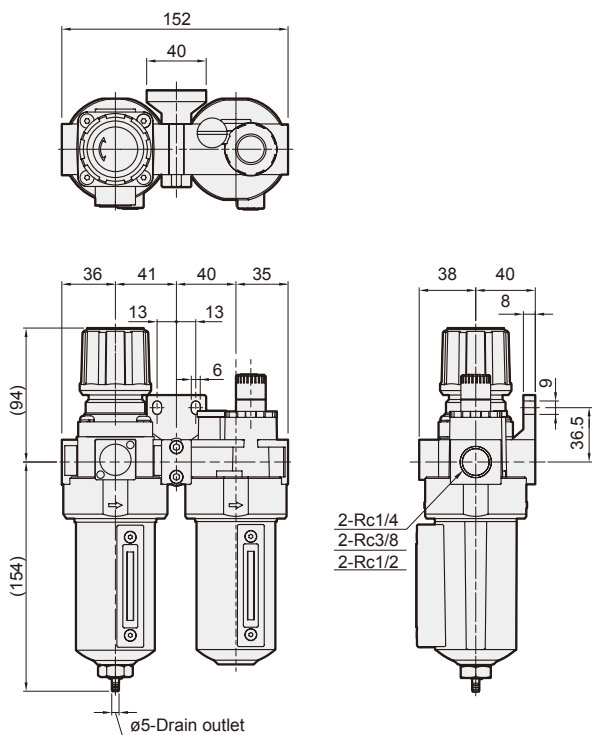
* PG-40 (C) and MP41 (E*) can not be selected at the same time.

* Be sure to use above check valves when redirecting the air flow on the inlet side of the lubricator.

* Refer to page 5-11 for the option of digital pressure switch MP41 (E*).

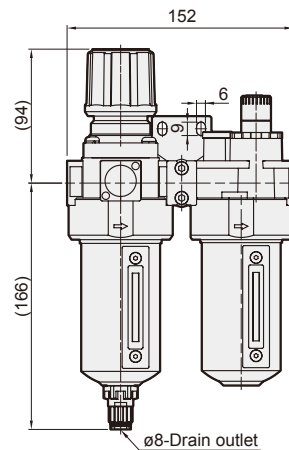
MACP401 Dimensions

AIR UNIT (F.R.L.UNIT)



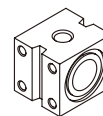
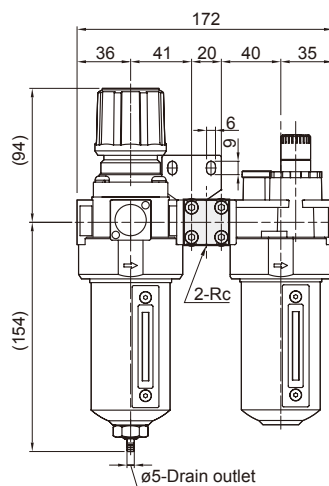
MACP401-D

Auto drain valve



MACP401-T*

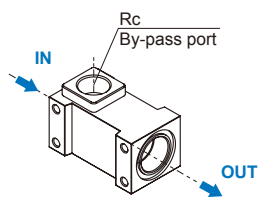
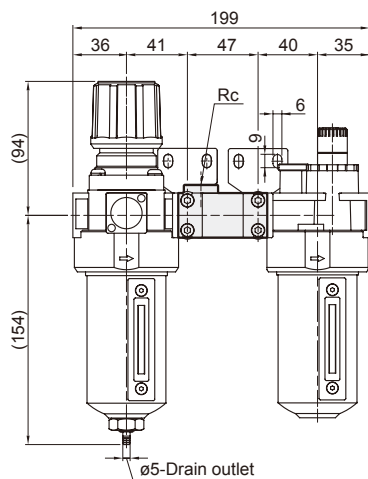
T type bracket



Port Bracket	Rc
T8	Rc1/4
T10	Rc3/8
T15	Rc1/2

MACP401-K*

Check valve

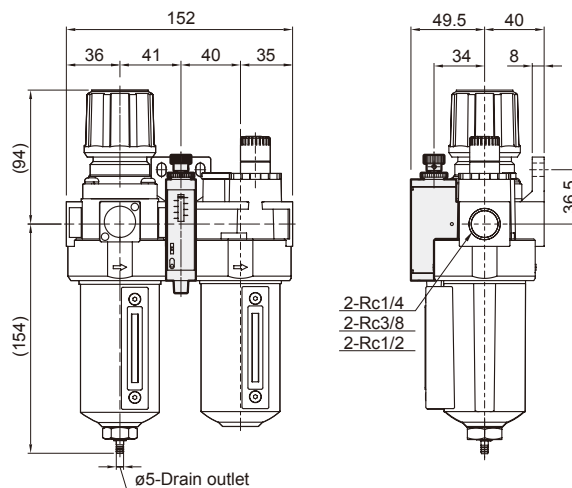


Port Check valve	Rc
K8	Rc1/4
K10	Rc3/8

* Threads for IN and OUT ports are not machined.

MACP401-P

MPS Series pneumatic pressure switch



MACP401-HT With shutoff valve

AIR UNIT (F.R.L.UNIT)



Order example

MACP401 – 8A – □ – □ – E1 – □ – HT – □

MODEL

PORT SIZE

8A: 1/4
10A: 3/8
15A: 1/2

EXTERIOR COLOR

Blank: Black & silver
W: Gray & white

FILTER ELEMENT

Blank: 40µm
5u: 5µm

PORT THREAD

Blank: Rc thread
G: G thread
NPT: NPT thread

(Option)

PRESSURE SWITCH

E1: MP41P-022
E2: MP41P-022-QD
E5: MP41P-042
E6: MP41P-042-QD

SHUTOFF VALVE

HT: MVHT-400-3H

Blank: Standard type

(PC bowl + Semi-auto drain)

C: External pressure gauge (PG-40)

D: Auto drain valve (FMRF300)

CH: High pressure type + External pressure gauge (PG-40)

P: Pressure switch (MPS series)

* High pressure type (CH) can not choose with auto drain valve (D) when operating pressure over than 1 MPa.

* PG-40 (C) and MP41 (E*) can not be selected at the same time.

* Refer to page 5-11 for the option of digital pressure switch MP41 (E*).

