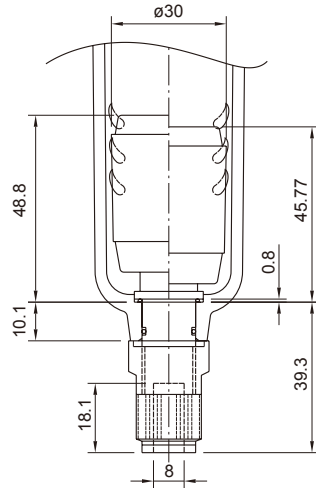


# FMRF300 / MADV400 series

AUTO DRAIN VALVE



## Specification

Model	FMRF300
Operating pressure range	0.15~1 MPa
Proof pressure	1.5 MPa
Ambient temperature	- 5~+60°C (No freezing)

## Order example

FMRF300 – AD – U

for AIR UNIT  
 MA\*\*300 / 302 series  
 MA\*\*400 series  
 MA\*\*401 / 403 series  
 MA\*\*501 series  
 \* Ordered with filter together.



## Specification

Model	MADV400
Operating pressure range	0.2~1 MPa
Proof pressure	1.5 MPa
Ambient temperature	- 5~+60°C (No freezing)

## Order example

MADV400 – WB

MODEL

TYPE

WA  
WB

WA

WB

