

# Series 63 cylinders - Aluminium tube and profile

New

Single and double-acting, magnetic, cushioned  
Versions: standard, low friction, high and low temperatures  
Ø 32, 40, 50, 63, 80, 100, 125 mm



The new Series 63 pneumatic cylinders, which comply with the ISO 15552 standard, have been developed to guarantee high performance whilst also offering significant reductions in weight. The new adjustable pneumatic and mechanical cushioning system ensures Series 63 also reduces the noise caused by the impact of the piston on the end block.

On one side of the profile, there are grooves for the positioning of proximity switches (Series CSH) for the detection of the piston's position. These grooves can be covered with the slot cover profile Mod. S-CST-500. A wide range of versions are available which makes these new cylinders suitable for use in many sectors and applications.

- » In compliance with ISO 15552 standards and with the previous DIN/ISO 6431 - VDMA 24562 standards
- » Clean design
- » Weight reduced by 25%
- » Adjustable pneumatic and mechanical end-stroke cushioning
- » Wide range of installation accessories
- » Rolled stainless steel rod

#### WIDE RANGE OF VERSIONS AVAILABLE:

- » Low friction
- » High and low temperatures
- » Dusty environments
- » ATEX

## GENERAL DATA

<b>Type of construction</b>	profile (with screws) and round tube (with tie-rods)
<b>Operation</b>	single and double-acting
<b>Materials</b>	see the table of materials on page 1/1.28.03
<b>Type of mounting</b>	with front / rear flange, foot mounting, with front / rear / centre / swivel trunnion
<b>Stroke min - max</b>	10 ÷ 2500 mm
<b>Operating temperature</b>	standard and low friction: 0°C ÷ 80°C (with dry air -20°C) high temperatures (version W): 0°C ÷ 150°C (with dry air -20°C) low temperatures (version Z): -40°C ÷ 60°C (with dry air -40°C) low temperatures (version Y): -50°C ÷ 60°C (with dry air -50°C)
<b>Operating pressure</b>	1 ÷ 10 bar (standard, high and low temperatures) 0.1 ÷ 10 bar (low friction)
<b>Speed</b>	10 ÷ 1000 mm/sec, no load (standard, high and low temperatures) 5 ÷ 1000 mm/sec, no load (low friction)
<b>Fluid</b>	filtered air in class 7.8.4, according to ISO 8573-1. If lubricated air is used, it is recommended to use oil ISOVG32. Once applied the lubrication should never be interrupted.

**STANDARD STROKES FOR CYLINDERS SERIES 63**

■ = Single-acting, front spring (standard, high/low temperatures); ▲ = Single-acting, rear spring (standard, high/low temperatures);  
 ✕ = Double-acting (standard, low friction, high/low temperatures) Other strokes up to 2500 mm are available on request.

STANDARD STROKES														
Ø	25	50	75	80	100	125	150	160	200	250	300	320	400	500
32	■ ▲ ✕	■ ▲ ✕	■ ✕	✕	✕	✕	✕	✕	✕	✕	✕	✕	✕	✕
40	■ ▲ ✕	■ ▲ ✕	■ ✕	✕	✕	✕	✕	✕	✕	✕	✕	✕	✕	✕
50	■ ▲ ✕	■ ▲ ✕	■ ✕	✕	✕	✕	✕	✕	✕	✕	✕	✕	✕	✕
63	■ ▲ ✕	■ ▲ ✕	■ ✕	✕	✕	✕	✕	✕	✕	✕	✕	✕	✕	✕
80	■ ▲ ✕	■ ▲ ✕	■ ✕	✕	✕	✕	✕	✕	✕	✕	✕	✕	✕	✕
100		■ ▲ ✕	■ ✕	✕	✕	✕	✕	✕	✕	✕	✕	✕	✕	✕
125		■ ▲ ✕	■ ✕	✕	✕	✕	✕	✕	✕	✕	✕	✕	✕	✕

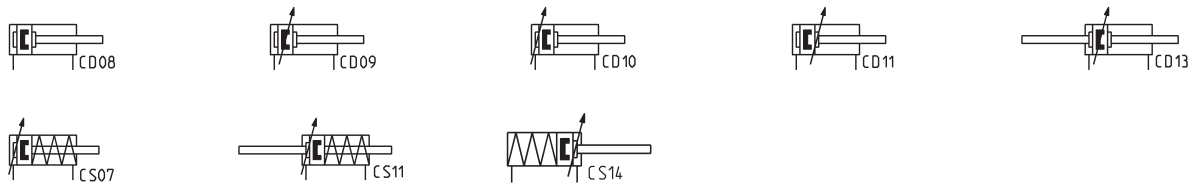
**CODING EXAMPLE**

63	M	P	2	C	050	A	0200			
----	---	---	---	---	-----	---	------	--	--	--

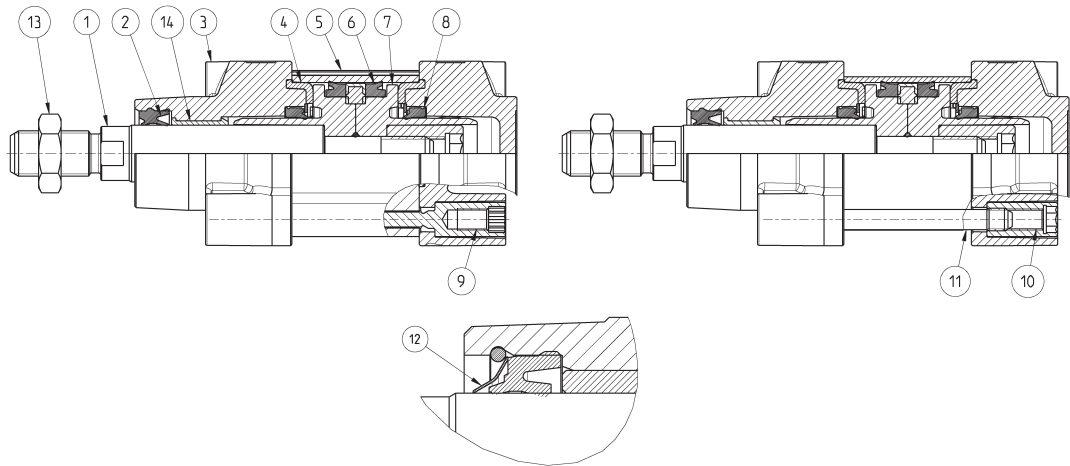
<b>63</b>	SERIES	
<b>M</b>	VERSION: M = standard, magnetic L = low friction, magnetic	
<b>P</b>	CONSTRUCTION: T = round tube P = profile	
<b>2</b>	OPERATION: 1 = single-acting, front spring 2 = double-acting 6 = double-acting, through-rod 7 = single-acting, through-rod 9 = single-acting, rear spring	PNEUMATIC SYMBOLS CS07 CD08 - CD09 - CD10 - CD11 CD13 CS11 CS14
<b>C</b>	CUSHIONING: N = no cushioning C = cushioning on both sides F = front cushioning R = rear cushioning	CD08 CD09/CD13 CD11 CD10
<b>050</b>	BORE: 032 = 32 mm 040 = 40 mm 050 = 50 mm 063 = 63 mm 080 = 80 mm 100 = 100 mm 125 = 125 mm	
<b>A</b>	CONSTRUCTIVE TYPE: A = standard with rod nut RL = cylinder with rod lock F = cylinder with centre trunnion	
<b>0200</b>	STROKES: 10 ÷ 2500 mm	
	TEMPERATURE RANGE: = standard W = high temperatures (150°C) Z = low temperatures (-40°C) Y = low temperatures (-50°C)	
	RESISTANCE TO CORROSION: = standard (see the table of materials on page 1/1.28.03) C1 = rod nut AISI 304 stainless steel, rod AISI 304 stainless steel (other materials: see the table of materials on page 1/1.28.03)	
	ROD VARIATIONS: = standard ( _ _ _ ) = rod longer than _ _ _ mm L = without rod seal (rear supply only) * R = NBR rod seal V = FKM rod seal G = dry and dusty environments (with brass rod scraper and chrome-plated stainless steel AISI 420B rod)	
	* The possibility to order the cylinder without piston rod seal, further reduces the friction force.	
	Add EX to order the ATEX certified version.	

## PNEUMATIC SYMBOLS

The pneumatic symbols which have been indicated in the CODING EXAMPLE are shown below.



## MATERIALS



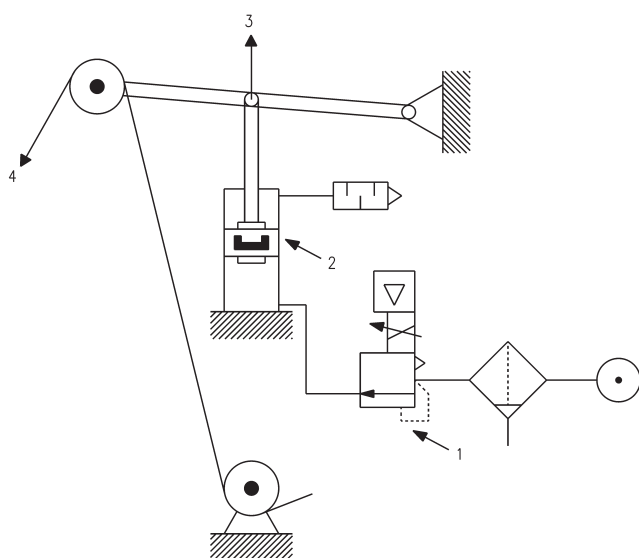
### LIST OF COMPONENTS

	Standard, profile	Standard, round tube	Low friction (L)	Rod scraper (G)	Low temperatures (ZY)	High temperatures (W)	Resistance to corrosion (C1)
<b>PARTS</b>							
<b>1 - Rod</b>	AISI 420B	AISI 420B	AISI 420B	Chrome-plated AISI 420B	Chrome-plated AISI 420B	AISI 420B	AISI 304
<b>2 - Rod seal</b>	PU	PU	NBR	NBR	PU for -40°C/-50°C	FKM	PU
<b>3 - End-block</b>	Aluminium	Aluminium	Aluminium	Aluminium	Aluminium	Aluminium	Aluminium
<b>4 - Counterbore seal</b>	NBR	NBR	NBR	NBR	NBR for -40°C/-50°C	FKM	NBR
<b>5 - Extruded profile</b>	Anodized aluminium	Anodized aluminium	Anodized aluminium	Anodized aluminium	Anodized aluminium	Anodized aluminium	Anodized aluminium
<b>6 - Piston seal</b>	PU	PU	NBR	PU	PU for -40°C/-50°C	FKM	PU
<b>7 - Piston</b>	Technopolymer (ø 32) or Aluminium (ø 40 + 125)	Aluminium (ø 125) or Technopolymer (ø 32 + 100)	Aluminium	Aluminium	Aluminium	Aluminium	Aluminium
<b>8 - Cushion seal</b>	PU	PU	PU	PU	PU	FKM	PU
<b>9 - Self-tapping screw</b>	Zinc-plated steel	-	Zinc-plated steel	Zinc-plated steel	Zinc-plated steel	Zinc-plated steel	Zinc-plated steel
<b>10 - Tie-rod nut</b>	-	Zinc-plated steel	Zinc-plated steel	Zinc-plated steel	AISI 303	Zinc-plated steel	Zinc-plated steel
<b>11 - Tie-rod</b>	-	Zinc-plated steel	Zinc-plated steel	Zinc-plated steel	AISI 420B	Zinc-plated steel	Zinc-plated steel
<b>12 - Rod scraper</b>	-	-	-	Brass	Brass	-	-
<b>13 - Rod nut</b>	Zinc-plated steel	Zinc-plated steel	Zinc-plated steel	Zinc-plated steel	AISI 304	Zinc-plated steel	AISI 304
<b>14 - Rod guide bush</b>	Technopolymer	Technopolymer	Technopolymer	Technopolymer	Technopolymer	Steel + PTFE	Technopolymer

## Series 63 low friction cylinders - APPLICATION EXAMPLES

1

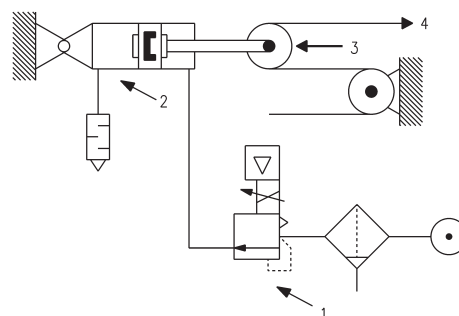
MOVEMENT



CYLINDER IN THRUST

## DRAWING NOTES:

1. Precision pressure regulator or proportional regulator
2. Low friction cylinder
3. Force direction
4. Band



CYLINDER IN TRACTION

Note: in order to reach the highest performance, it is recommended to connect a precision pressure regulator or a proportional regulator with the low friction cylinder as shown in the drawing.

**SERIES 63 CYLINDERS ACCESSORIES**



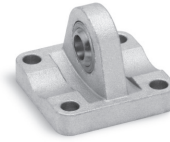
Piston rod socket joint  
Mod. GY



Piston rod lock nut  
Mod. U



Clevis pin Mod. S



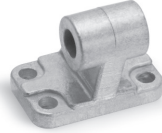
Rear trunnion ball-joint  
Mod. R



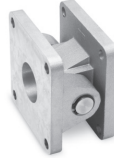
Coupling piece  
Mod. GKF



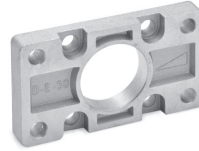
Swivel ball joint Mod. GA



90° male trunnion  
Mod. ZC



Swivel Combination  
Mod. C+L+S



Front and rear flange  
Mod. D-E



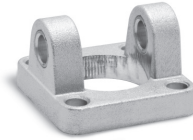
Self aligning rod  
Mod. GK



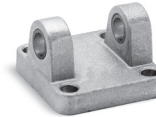
Centre trunnion  
Mod. F-63, profile cyl.



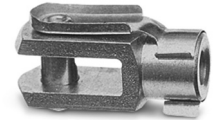
Foot mount  
Mod. B-41



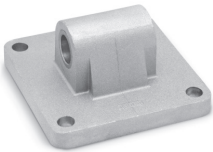
Front female trunnion  
Mod. H and C-H



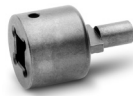
Rear female trunnion  
Mod. C and C-H



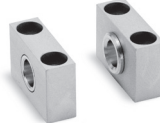
Rod fork end Mod. G



Rear trunnion male  
Mod. L



Disassemble cyl. key Ø  
80 and 100, round tube



Counter bracket for centre  
trunnion Mod. BF



Front/rear spot faced  
trunnion Mod. FN



Opposed cylinder coupler  
Mod. DC-63



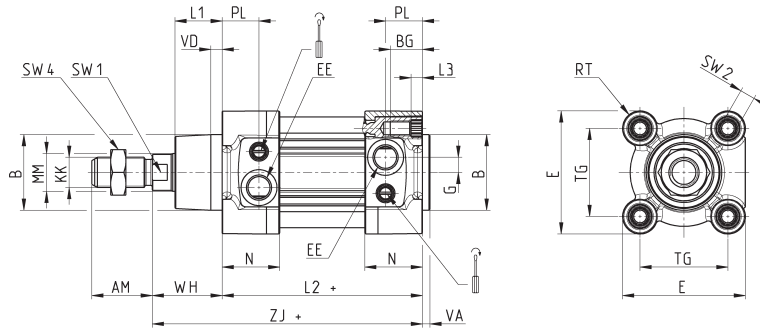
Centre trunnion Mod. F,  
round tube cyl.



All accessories are supplied separately, except for piston rod lock nut Mod. U

## Series 63 cylinders - profile, double-acting

Versions: 63MP2... and 63LP2...



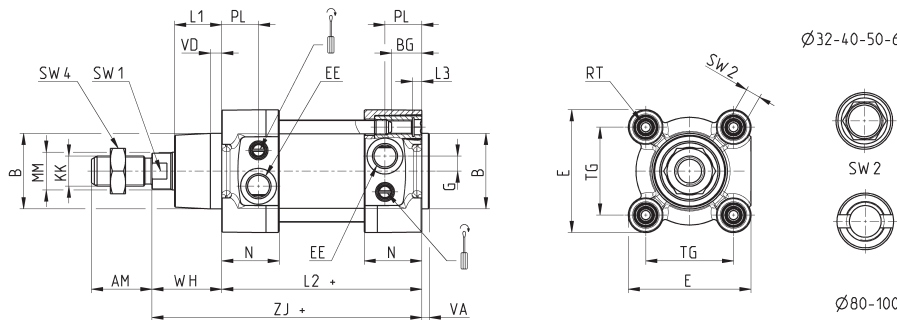
+ = add the stroke

## DIMENSIONS

$\varnothing$	$\varnothing MM$	KK	$\varnothing B$	PL	L1	AM	VA	EE	WH	L2	L3	ZJ	VD	N	BG	RT	G	TG	E	SW1	SW2	SW4	Front/rear cushion stroke
32	12	M10x1.25	30	18.5	18	22	4	G1/8	26	94	5.5	120	5	27	16	M6	5	32.5	47	10	6	17	17
40	16	M12x1.25	35	19	21	24	4	G1/4	30	105	5.5	135	5	30	16	M6	5	38	55	13	6	19	18
50	20	M16x1.5	40	19.5	25	32	4	G1/4	37	106	6	143	6	30.5	16	M8	8	46.5	65	17	8	24	20
63	20	M16x1.5	45	24	26	32	4	G3/8	37	121	6	158	6	37.5	16	M8	8	56.5	75	17	8	24	22
80	25	M20x1.5	45	23.5	30	40	4	G3/8	46	128	0	174	7	37	19	M10	8	72	93	22	6	30	25
100	25	M20x1.5	55	24	35	40	4	G1/2	51	138	0	189	7	39.5	19.5	M10	8	89	110	22	6	30	26
125	32	M27x2	60	28	42	54	6	G1/2	65	160	6	225	8	44	23	M12	10.5	110	135	27	12	41	33

## Series 63 cylinders - round tube, double-acting

Versions: 63MT2... and 63LT2...



+ = add the stroke

 Table note:  
 \* = special key 80-62/8C  
 (see accessories)

## DIMENSIONS

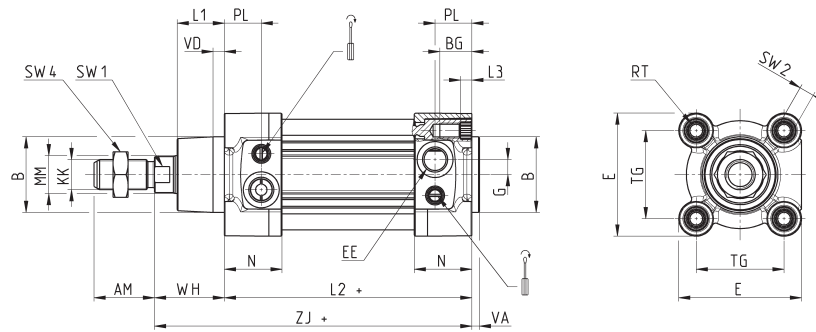
$\varnothing$	$\varnothing MM$	KK	$\varnothing B$	PL	L1	AM	VA	EE	WH	L2	L3	ZJ	VD	N	BG	RT	G	TG	E	SW1	SW2	SW4	Front/rear cushion stroke
32	12	M10x1.25	30	18.5	18	22	4	G1/8	26	94	5	120	5	27	16	M6	5	32.5	47	10	6	17	17
40	16	M12x1.25	35	19	21	24	4	G1/4	30	105	5	135	5	30	16	M6	5	38	55	13	6	19	18
50	20	M16x1.5	40	19.5	25	32	4	G1/4	37	106	5	143	6	30.5	16	M8	8	46.5	65	17	8	24	20
63	20	M16x1.5	45	24	26	32	4	G3/8	37	121	5	158	6	37.5	16	M8	8	56.5	75	17	8	24	22
80	25	M20x1.5	45	23.5	30	40	4	G3/8	46	128	0	174	7	37	19	M10	8	72	93	22	*	30	25
100	25	M20x1.5	55	24	35	40	4	G1/2	51	138	0	189	7	39.5	19.5	M10	8	89	110	22	*	30	26
125	32	M27x2	60	28	42	54	6	G1/2	65	160	6	225	8	44	23	M12	10.5	110	135	27	12	41	33

Series 63 cylinders - profile, single-acting, front spring

Versions: 63MP1... and 63LP1...



+ = add the stroke



DIMENSIONS

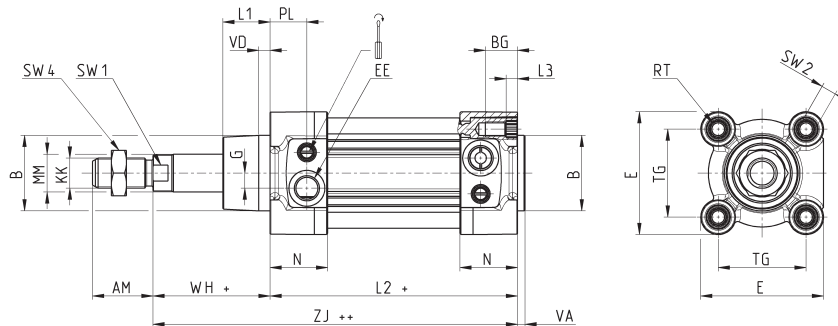
Ø	ØMM	KK	ØB	PL	L1	AM	VA	EE	WH	L2	L3	ZJ	VD	N	BG	RT	G	TG	E	SW1	SW2	SW4	Front/rear cushion stroke
32	12	M10x1.25	30	18.5	18	22	4	G1/8	26	119	5.5	145	5	27	16	M6	5	32.5	47	10	6	17	17
40	16	M12x1.25	35	19	21	24	4	G1/4	30	130	5.5	160	5	30	16	M6	5	38	55	13	6	19	18
50	20	M16x1.5	40	19.5	25	32	4	G1/4	37	131	6	168	6	30.5	16	M8	8	46.5	65	17	8	24	20
63	20	M16x1.5	45	24	26	32	4	G3/8	37	146	6	183	6	37.5	16	M8	8	56.5	75	17	8	24	22
80	25	M20x1.5	45	23.5	30	40	4	G3/8	46	153	0	199	7	37	19	M10	8	72	93	22	6	30	25
100	25	M20x1.5	55	24	35	40	4	G1/2	51	163	0	214	7	39.5	19.5	M10	8	89	110	22	6	30	26
125	32	M27x2	60	28	42	54	6	G1/2	65	185	6	250	8	44	23	M12	10.5	110	135	27	12	41	33

Series 63 cylinders - profile, single-acting, rear spring

Versions: 63MP9... and 63LP9...



+ = add the stroke  
++ = add the stroke twice



DIMENSIONS

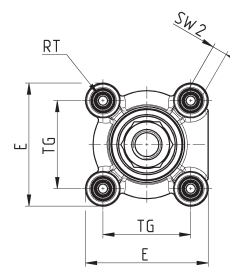
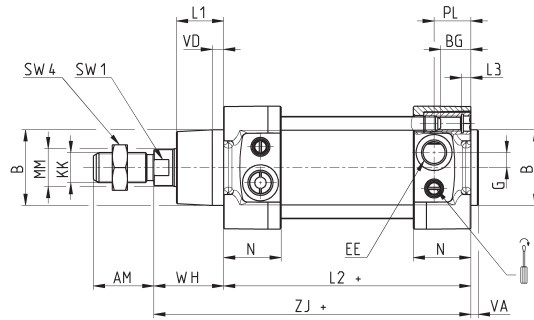
Ø	ØMM	KK	ØB	PL	L1	AM	VA	EE	WH	L2	L3	ZJ	VD	N	BG	RT	G	TG	E	SW1	SW2	SW4	Front/rear cushion stroke
32	12	M10x1.25	30	18.5	18	22	4	G1/8	51	119	5.5	170	5	27	16	M6	5	32.5	47	10	6	17	17
40	16	M12x1.25	35	19	21	24	4	G1/4	55	130	5.5	185	5	30	16	M6	5	38	55	13	6	19	18
50	20	M16x1.5	40	19.5	25	32	4	G1/4	62	131	6	193	6	30.5	16	M8	8	46.5	65	17	8	24	20
63	20	M16x1.5	45	24	26	32	4	G3/8	62	146	6	208	6	37.5	16	M8	8	56.5	75	17	8	24	22
80	25	M20x1.5	45	23.5	30	40	4	G3/8	71	153	0	224	7	37	19	M10	8	72	93	22	6	30	25
100	25	M20x1.5	55	24	35	40	4	G1/2	76	163	0	239	7	39.5	19.5	M10	8	89	110	22	6	30	26
125	32	M27x2	60	28	42	54	6	G1/2	90	185	6	275	8	44	23	M12	10.5	110	135	27	12	41	33

## Series 63 cylinders - round tube, single-acting, front spring

Versions: 63MT1... and 63LT1...



+ = add the stroke

 Table note:  
 \* = special key 80-62/8C  
 (see accessories)


Ø32-40-50-63-125



Ø80-100

## DIMENSIONS

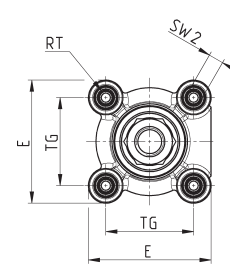
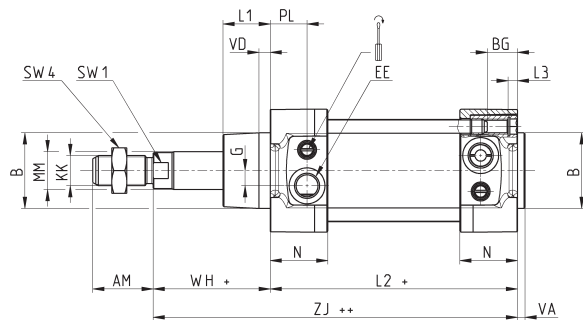
Ø	ØMM	KK	ØB	PL	L1	AM	VA	EE	WH	L2	L3	ZJ	VD	N	BG	RT	G	TG	E	SW1	SW2	SW4	Front/rear cushion stroke
32	12	M10x1.25	30	18.5	18	22	4	G1/8	26	119	5	145	5	27	16	M6	5	32.5	47	10	6	17	17
40	16	M12x1.25	35	19	21	24	4	G1/4	30	130	5	160	5	30	16	M6	5	38	55	13	6	19	18
50	20	M16x1.5	40	19.5	25	32	4	G1/4	37	131	5	168	6	30.5	16	M8	8	46.5	65	17	8	24	20
63	20	M16x1.5	45	24	26	32	4	G3/8	37	146	5	183	6	37.5	16	M8	8	56.5	75	17	8	24	22
80	25	M20x1.5	45	23.5	30	40	4	G3/8	46	153	0	199	7	37	19	M10	8	72	93	22	*	30	25
100	25	M20x1.5	55	24	35	40	4	G1/2	51	163	0	214	7	39.5	19.5	M10	8	89	110	22	*	30	26
125	32	M27x2	60	28	42	54	6	G1/2	65	185	6	250	8	44	23	M12	10.5	110	135	27	12	41	33

## Series 63 cylinders - round tube, single-acting, rear spring

Versions: 63MT9... and 63LT9...



+ = add the stroke

 Table note:  
 \* = special key 80-62/8C  
 (see accessories)


Ø32-40-50-63-125



Ø80-100

## DIMENSIONS

Ø	ØMM	KK	ØB	PL	L1	AM	VA	EE	WH	L2	L3	ZJ	VD	N	BG	RT	G	TG	E	SW1	SW2	SW4	Front/rear cushion stroke
32	12	M10x1.25	30	18.5	18	22	4	G1/8	51	119	5	170	5	27	16	M6	5	32.5	47	10	6	17	17
40	16	M12x1.25	35	19	21	24	4	G1/4	55	130	5	185	5	30	16	M6	5	38	55	13	6	19	18
50	20	M16x1.5	40	19.5	25	32	4	G1/4	62	131	5	193	6	30.5	16	M8	8	46.5	65	17	8	24	20
63	20	M16x1.5	45	24	26	32	4	G3/8	62	146	5	208	6	37.5	16	M8	8	56.5	75	17	8	24	22
80	25	M20x1.5	45	23.5	30	40	4	G3/8	71	153	0	224	7	37	19	M10	8	72	93	22	*	30	25
100	25	M20x1.5	55	24	35	40	4	G1/2	76	163	0	239	7	39.5	19.5	M10	8	89	110	22	*	30	26
125	32	M27x2	60	28	42	54	6	G1/2	90	185	6	275	8	44	23	M12	10.5	110	135	27	12	41	33



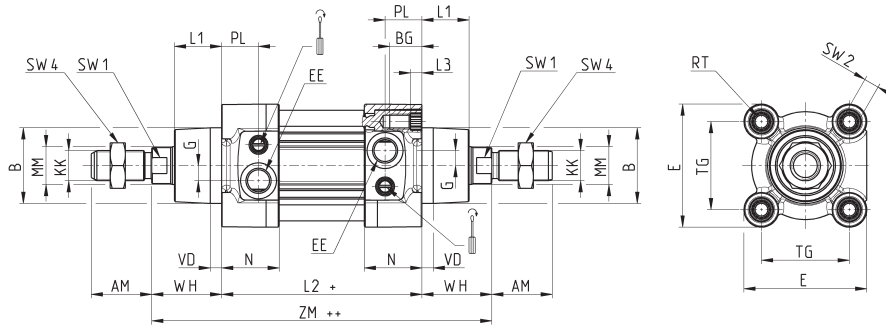
Series 63 cylinders - profile, through rod

Versions: 63MP6..., 63MP7..., 63LP6... and 63LP7...

For the single-acting cylinders, the dimensions L2 and ZJ have to be increased with 25 mm.



+ = add the stroke  
++ = add the stroke twice



DIMENSIONS

Ø	ØMM	KK	ØB	PL	L1	AM	EE	WH	L2	L3	ZM	VD	N	BG	RT	G	TG	E	ØF	SW1	SW2	SW4	Front/rear cushion stroke
32	12	M10x1.25	30	18.5	18	22	G1/8	26	94	5.5	146	5	27	16	M6	5	32.5	47	-	10	6	17	17
40	16	M12x1.25	35	19	21	24	G1/4	30	105	5.5	165	5	30	16	M6	5	38	55	-	13	6	19	18
50	20	M16x1.5	40	19.5	25	32	G1/4	37	106	6	180	6	30.5	16	M8	8	46.5	65	8	17	8	24	20
63	20	M16x1.5	45	24	26	32	G3/8	37	121	6	195	6	37.5	16	M8	8	56.5	75	8	17	8	24	22
80	25	M20x1.5	45	23.5	30	40	G3/8	46	128	0	220	7	37	19	M10	8	72	93	8	22	6	30	25
100	25	M20x1.5	55	24	35	40	G1/2	51	138	0	240	7	39.5	19.5	M10	8	89	110	8	22	6	30	26
125	32	M27x2	60	28	42	54	G1/2	65	160	6	290	8	44	23	M12	10.5	110	135	-	27	12	41	33

Series 63 cylinders - round tube, through rod

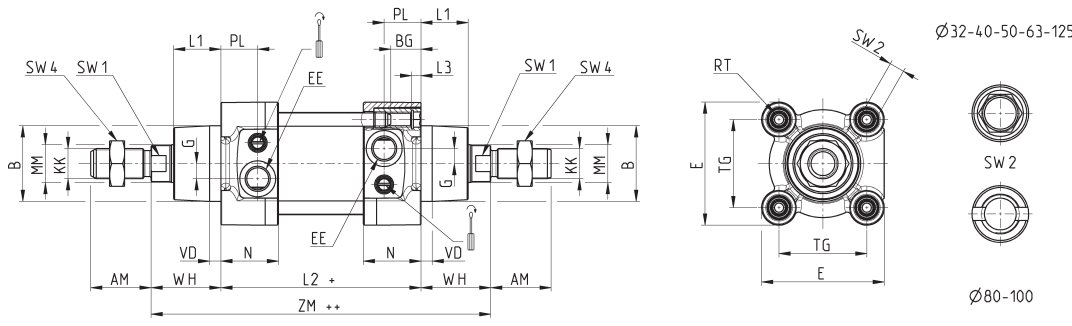
Versions: 63MT6..., 63MT7..., 63LT6... and 63LT7...

For the single-acting cylinders, the dimensions L2 and ZJ have to be increased with 25 mm.



+ = add the stroke  
++ = add the stroke twice

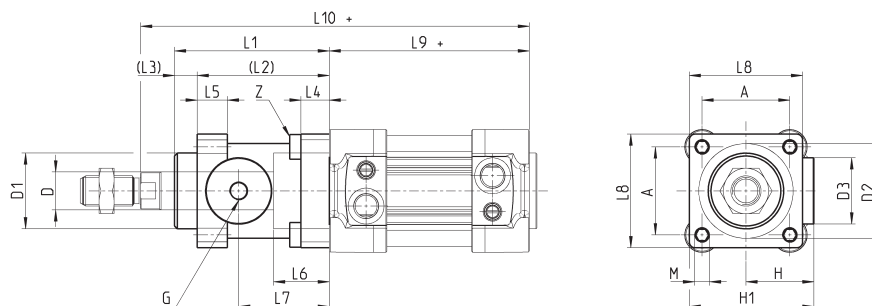
Table note:  
\* = special key 80-62/8C  
(see accessories)



DIMENSIONS

Ø	ØMM	KK	ØB	PL	L1	AM	EE	WH	L2	L3	ZM	VD	N	BG	RT	G	TG	E	ØF	SW1	SW2	SW4	Front/rear cushion stroke
32	12	M10x1.25	30	18.5	18	22	G1/8	26	94	5	146	5	27	16	M6	5	32.5	47	-	10	6	17	17
40	16	M12x1.25	35	19	21	24	G1/4	30	105	5	165	5	30	16	M6	5	38	55	-	13	6	19	18
50	20	M16x1.5	40	19.5	25	32	G1/4	37	106	5	180	6	30.5	16	M8	8	46.5	65	8	17	8	24	20
63	20	M16x1.5	45	24	26	32	G3/8	37	121	5	195	6	37.5	16	M8	8	56.5	75	8	17	8	24	22
80	25	M20x1.5	45	23.5	30	40	G3/8	46	128	0	220	7	37	19	M10	8	72	93	8	22	*	30	25
100	25	M20x1.5	55	24	35	40	G1/2	51	138	0	240	7	39.5	19.5	M10	8	89	110	8	22	*	30	26
125	32	M27x2	60	28	42	54	G1/2	65	160	6	290	8	44	23	M12	10.5	110	135	-	27	12	41	33

## Series 63 cylinders with rod lock



+ = add the stroke

DIMENSIONS																				
Ø	øD	øD1	øD2	øD3	A	G	H	H1	L1	L2	L3	L4	L5	L6	L7	L8	L9+	L10+	M	Z
<b>32</b>	12	30.5	35	25	32.5	M5	25.5	46.5	58	48	10	8	13	20.5	34	45	94	160	M6	M6x20
<b>40</b>	16	35	40	28	38	G1/8	30	53	65	55	10	8	13	22.5	38	50	105	178	M6	M6x20
<b>50</b>	20	40	50	35	46.5	G1/8	36	64	82	70	12	15	16	29.5	48	60	106	200	M8	M6x20
<b>63</b>	20	45	60	38	56.5	G1/8	40	75	82	70	12	15	16	29.5	49.5	70	121	215	M8	M8x30
<b>80</b>	25	45	80	48	72	G1/8	50	95	110	90	20	18	20	35	61	90	128	254	M10	M10x35
<b>100</b>	25	55	100	58	89	G1/8	58	110.5	115	100	15	18	20	39	69	105	138	269	M10	M10x35
<b>125</b>	32	60	130	65	110	G1/8	80	150	167	122	45	22	30	51	86.5	140	160	350	M12	M12x40

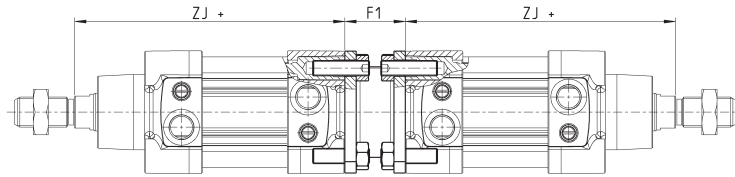
### Opposed cylinder coupler Mod. DC-63

Material: Aluminium



Supplied with:  
1x flange  
8x locking screws  
8x nuts

+ = add the stroke



Mod.	Ø	F1	ZJ+	weight (g)	max overall stroke (mm)	torque force
DC-63-32	32	27	120	130	500	5 Nm
DC-63-40	40	27	135	160	800	5 Nm
DC-63-50	50	32	143	285	800	10 Nm
DC-63-63	63	28	158	340	700	10 Nm
DC-63-80	80	38	174	670	1000	15 Nm
DC-63-100	100	38	189	820	900	15 Nm
DC-63-125	125	48	225	1300	1000	20 Nm

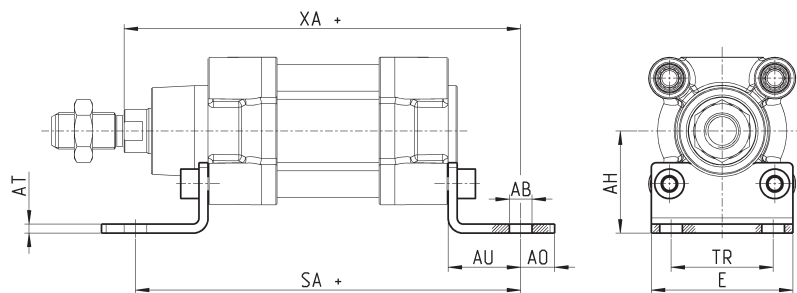
### Foot mount Mod. B-41

Material: zinc-plated steel



Supplied with:  
2x feet  
4x screws

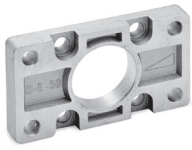
+ = add the stroke



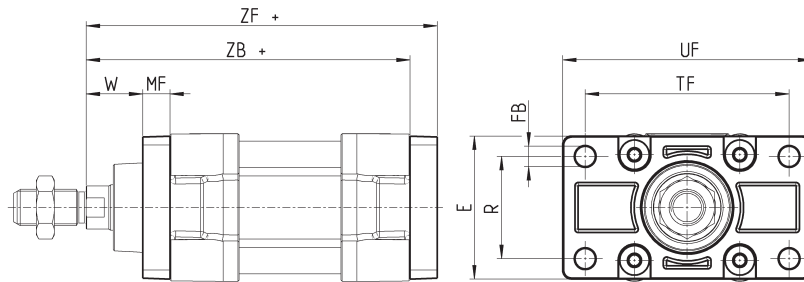
Mod.	Ø	AT	SA+	XA+	TR	E	AB	AH	AO	AU	torque force
B-41-32	32	4	142	144	32	45	7	32	11	24	5 Nm
B-41-40	40	4	161	163	36	53,5	10	36	15	28	5 Nm
B-41-50	50	4	170	175	45	62,5	10	45	15	32	10 Nm
B-41-63	63	5	185	190	50	73	10	50	15	32	10 Nm
B-41-80	80	6	210	216	63	92	12	63	20	41	15 Nm
B-41-100	100	6	220	230	75	108,5	14,5	71	25	41	15 Nm
B-41-125	125	7	250	270	90	132	16,5	90	25	45	20 Nm

**Front and rear flange Mod. D-E**

Material: Aluminium



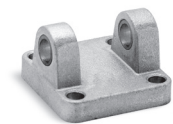
Supplied with:  
1x flange  
4x screws  
+ = add the stroke



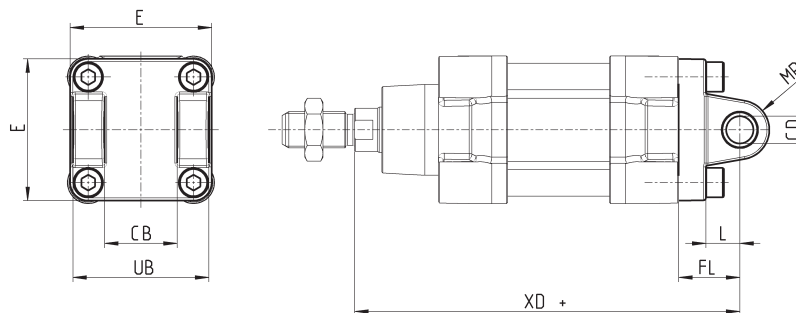
Mod.	Ø	W	MF	ZB+	TF	R	UF	E	FB	ZF+	torque force
<b>D-E-41-32</b>	32	16	10	120	64	32	86	45	7	130	5 Nm
<b>D-E-41-40</b>	40	20	10	135	72	36	88	52	9	145	5 Nm
<b>D-E-41-50</b>	50	25	12	143	90	45	110	63	9	155	10 Nm
<b>D-E-41-63</b>	63	25	12	158	100	50	116	73	9	170	10 Nm
<b>D-E-41-80</b>	80	30	16	174	126	63	148	95	12	190	15 Nm
<b>D-E-41-100</b>	100	35	16	189	150	75	176	115	14	205	15 Nm
<b>D-E-41-125</b>	125	45	20	225	180	90	224	135	16	245	20 Nm

**Rear female trunnion Mod. C and C-H**

Material: Aluminium



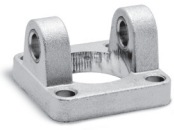
Supplied with:  
1x female trunnion  
4x screws  
+ = add the stroke



Mod.	Ø	CD	L	FL	XD+	MR	E	CB	UB	torque force
<b>C-41-32</b>	32	10	12	22	142	10	45	26	45	5 Nm
<b>C-41-40</b>	40	12	15	25	160	12	53.5	28	52	5 Nm
<b>C-41-50</b>	50	12	15	27	170	13	62.5	32	60	10 Nm
<b>C-H-41-63</b>	63	16	20	32	190	17	73	40	70	10 Nm
<b>C-H-41-80</b>	80	16	24	36	210	17	92	50	90	15 Nm
<b>C-H-41-100</b>	100	20	29	41	230	21	108.5	60	110	15 Nm
<b>C-H-41-125</b>	125	25	30	50	275	26	132	70	130	20 Nm

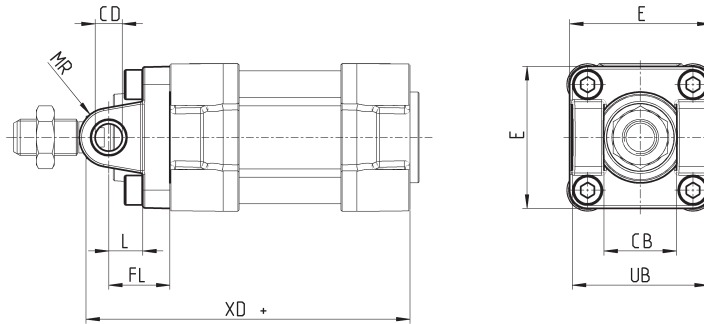
### Front female trunnion Mod. H and C-H

Material: Aluminium



Supplied with:  
1x female trunnion  
4x screws

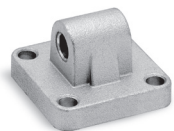
+ = add the stroke



Mod.	∅	CB	UB	E	XD	FL	L	CD	MR	torque force
H-41-32	32	26	45	45	120	22	12	10	10	5 Nm
H-41-40	40	28	52	53.5	135	25	15	12	12	5 Nm
H-41-50	50	32	60	62.5	143	27	15	12	13	10 Nm
H-60-63	63	40	70	73	158	32	20	16	17	10 Nm
C-H-41-80	80	50	90	92	174	36	24	16	17	15 Nm
C-H-41-100	100	60	110	108.5	189	41	29	20	21	15 Nm
C-H-41-125	125	70	130	132	225	50	30	25	26	20 Nm

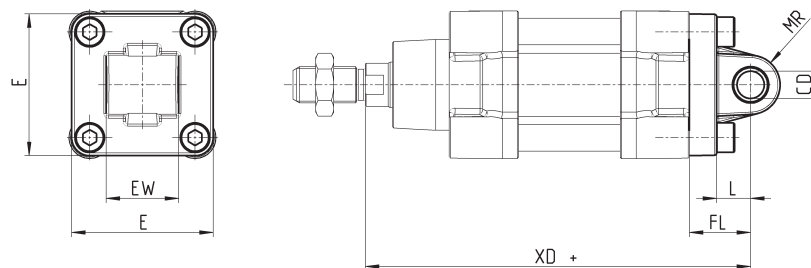
### Rear male trunnion Mod. L

Material: Aluminium



Supplied with:  
1x male trunnion  
4x screws

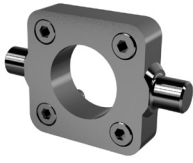
+ = add the stroke



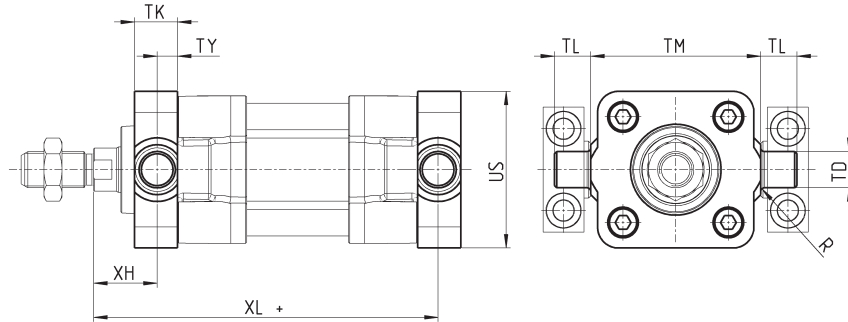
DIMENSIONS										
Mod.	∅	CD	L	FL	XD+	MR	E	EW	torque force	
L-41-32	32	10	12	22	142	10	45	26	5 Nm	
L-41-40	40	12	15	25	160	13	53.5	28	5 Nm	
L-41-50	50	12	15	27	170	13	62.5	32	10 Nm	
L-41-63	63	16	20	32	190	17	73	40	10 Nm	
L-41-80	80	16	24	36	210	17	92	50	15 Nm	
L-41-100	100	20	29	41	230	21	108.5	60	15 Nm	
L-41-125	125	25	30	50	275	26	132	70	20 Nm	

**Front/rear spot faced trunnion Mod. FN**

Material: zinc-plated steel


 Supplied with:  
 1x centre spot faced trunnion  
 4x screws

+ = add the stroke

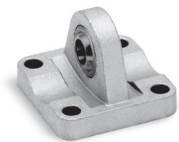

**DIMENSIONS**

Mod.	∅	TK	TY	XH	XL	US	TL	TM	TD	R	torque force
<b>FN-32</b>	32	14	6.5	19.5	126.5	46	12	50	12	1	5 Nm
<b>FN-40</b>	40	19	9	21	144	59	16	63	16	1.5	5 Nm
<b>FN-50</b>	50	19	9	28	152	69	16	75	16	1.6	10 Nm
<b>FN-63</b>	63	24	11.5	25.5	169.5	84	20	90	20	1.6	10 Nm
<b>FN-80</b>	80	24	11.5	34.5	185.5	102	20	110	20	1.6	15 Nm
<b>FN-100</b>	100	29	14	37	203	125	25	132	25	2	15 Nm
<b>FN-125</b>	125	30	15	50	240	150	25	160	25	2	20 Nm

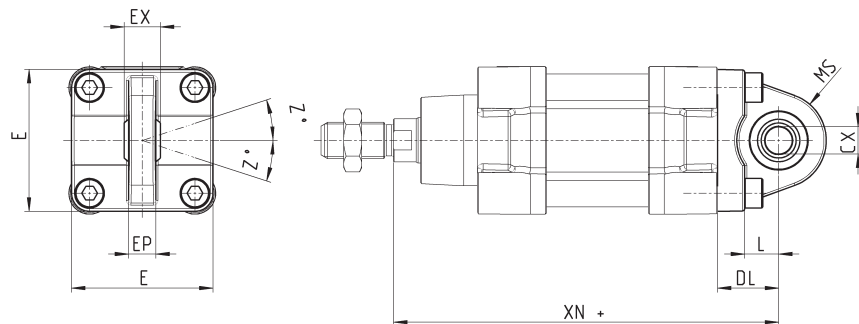
**Trunnion ball-joint Mod. R**

Material: Aluminium

\* quotes not in compliance with ISO 15552 standard


 Supplied with:  
 1x trunnion ball joint  
 4x screws

+ = add the stroke



Mod.	∅	CX	L	DL	XN+	MS	E	EX	EP	Z	torque force
<b>R-41-32</b>	32	10	12	22	142	18	45	14	10.5	4	5 Nm
<b>R-41-40</b>	40	12	15	25	160	18	53.5	16	12	4	5 Nm
<b>R-41-50</b>	50	12 *	15	27	170	21	62.5	16 *	12 *	4	10 Nm
<b>R-41-63</b>	63	16	20	32	190	23	73	21	15	4	10 Nm
<b>R-41-80</b>	80	16 *	24	36	210	28	92	21 *	15 *	4	15 Nm
<b>R-41-100</b>	100	20	29	41	230	30	108.5	25	18	4	15 Nm
<b>R-41-125</b>	125	30	30	50	275	40	140	37	25	4	20 Nm

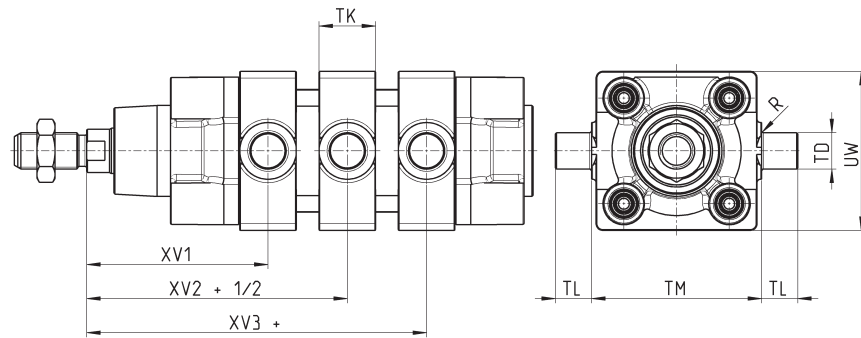
Centre trunnion Mod. F for round tube cylinders

Material: zinc-plated steel



Supplied with:  
1x intermediate trunnion  
8x locking screws

+ = add the stroke



DIMENSIONS

Mod.	Ø	XV1	XV2	XV3	TM (h14)	TK	TD (e9)	TL	UW	R
<b>F-32</b>	32	62	73	84	50	20	12	12	50	0.5
<b>F-40</b>	40	69	82,5	96	63	20	16	16	60	1
<b>F-50</b>	50	79	90	101	75	25	16	16	70	1
<b>F-63</b>	63	86	97,5	109	90	25	20	20	85	1
<b>F-80</b>	80	97	110	123	110	30	20	20	105	1
<b>F-100</b>	100	104,5	120	135,5	132	30	25	25	125	1.5
<b>F-125</b>	125	123	145	167	160	30	25	25	155	1.5

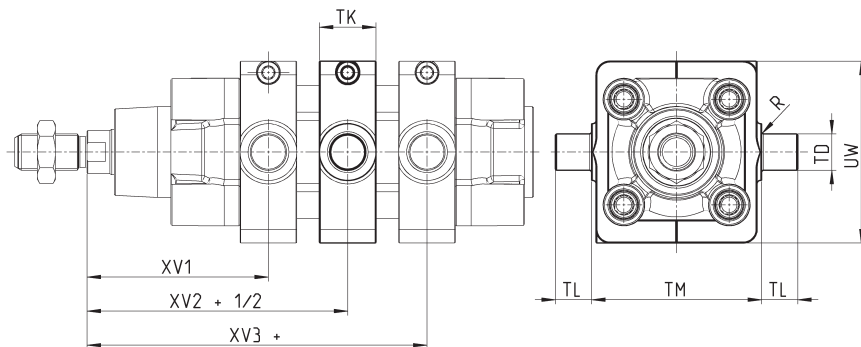
Centre trunnion Mod. F for profile cylinders

Material: zinc-plated steel



Supplied with:  
1x centre trunnion  
8x locking screws  
2x fixing screws

+ = add the stroke

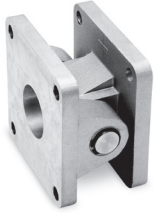


DIMENSIONS

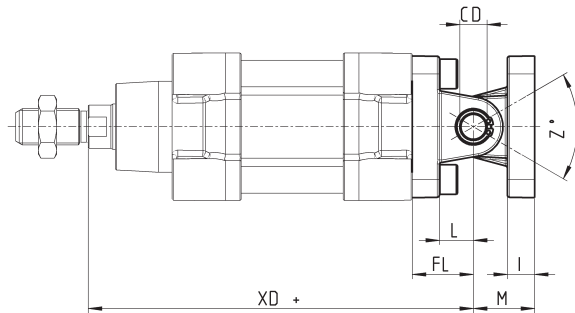
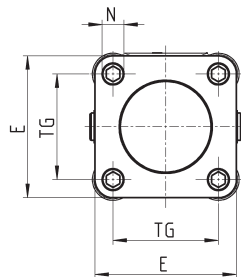
Mod.	Ø	XV1	XV2	XV3	TM	TK	TD	TL	UW	R
<b>F-63-32</b>	32	63	73	83	50	20	12	12	62	0.5
<b>F-63-40</b>	40	70	82.5	95	61	20	16	16	70	1
<b>F-63-50</b>	50	80	90	100	71	25	16	16	91	1
<b>F-63-63</b>	63	87	97.5	108	84	25	20	20	90	1
<b>F-63-80</b>	80	98	110	122	106	30	20	20	115	1
<b>F-63-100</b>	100	105.5	120	134.5	128	30	25	25	135	1.5
<b>F-63-125</b>	125	124	145	166	156	30	25	25	162	1.5

**Accessory combination Mod. C+L+S**

Material: Aluminium



+ = add the stroke

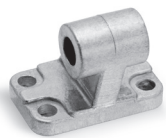

**DIMENSIONS**

Mod.	∅	E	TG	∅N	XD+	∅CD	L	FL	I	M	Z° (max)	torque force
<b>C+L+S</b>	32	45	32.5	6.5	142	10	12	22	10	22	30	5 Nm
<b>C+L+S</b>	40	53.5	38	6.5	160	12	15	25	10	25	40	5 Nm
<b>C+L+S</b>	50	62.5	46.5	9	170	12	15	27	12	27	25	10 Nm
<b>C+L+S</b>	63	73	56.5	9	190	16	20	32	12	32	36	10 Nm
<b>C+L+S</b>	80	92	72	11	210	16	24	36	12	36	34	15 Nm
<b>C+L+S</b>	100	108.5	89	11	230	20	29	41	12	41	38	15 Nm
<b>C+L+S</b>	125	132	110	13	275	25	30	50	25	50	30	20 Nm

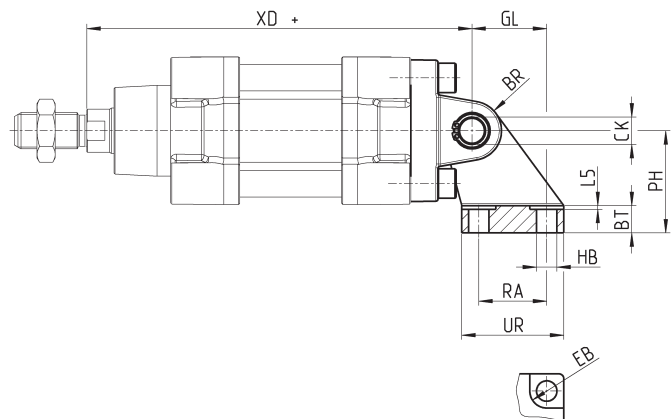
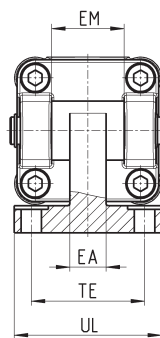
**90° male trunnion Mod. ZC**

CETOP RP 107P

Material: Aluminium


 Supplied with:  
1x male support

+ = add the stroke

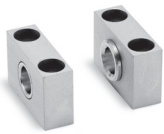

**DIMENSIONS**

Mod.	∅	EB	CK	HB	XD+	TE	UL	EA	GL	L5	RA	EM	UR	PH	BT	BR
<b>ZC-32</b>	32	11	10	6,6	142	38	51	10	21	1,6	18	26	31	32	8	10
<b>ZC-40</b>	40	11	12	6,6	160	41	54	15	24	1,6	22	28	35	36	10	11
<b>ZC-50</b>	50	15	12	9	170	50	65	16	33	1,6	30	32	45	45	12	13
<b>ZC-63</b>	63	15	16	9	190	52	67	16	37	1,6	35	40	50	50	14	15
<b>ZC-80</b>	80	18	16	11	210	66	86	20	47	2,5	40	50	60	63	14	15
<b>ZC-100</b>	100	18	20	11	230	76	96	20	55	2,5	50	60	70	71	17	19
<b>ZC-125</b>	125	20	25	14	275	94	124	30	70	3,2	60	70	90	90	20	22,5

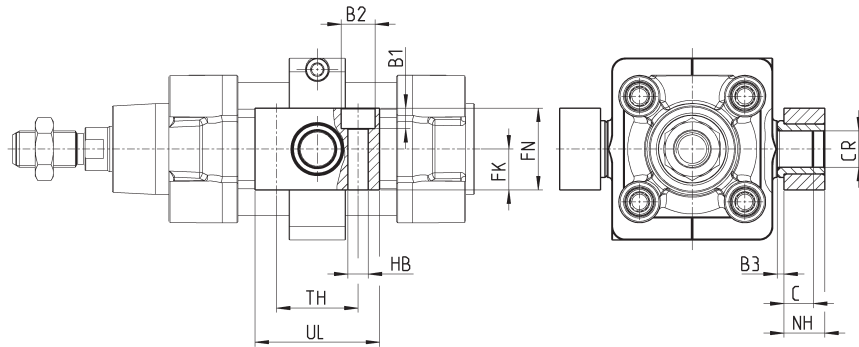


Counter bracket for centre trunnion Mod. BF

Material: Aluminium



Supplied with:  
2x supports



DIMENSIONS

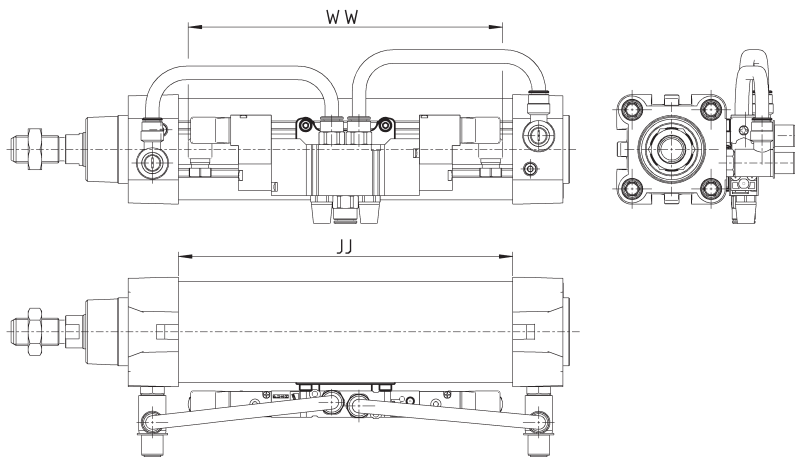
Mod.	∅	CR	NH	C	B3	TH	UL	FK	FN	B1	B2	HB
<b>BF-32</b>	32	12	15	7,5	3	32	46	15	30	6,8	11	6,6
<b>BF-40-50</b>	40 - 50	16	18	9	3	36	55	18	36	9	15	9
<b>BF-63-80</b>	63 - 80	20	20	10	3	42	65	20	40	11	18	11
<b>BF-100-125</b>	100 - 125	25	25	12,5	3,5	50	75	25	50	13	20	14

Accessory to mount valves on the cylinder

The mounting sub-base Mod. PCV enables the valve or solenoid valve to be mounted directly on the cylinder, thus forming a compact unit to apply.



Make sure that the WW dimension of the valve to be mounted is smaller than the JJ cylinder dimension. Further information on <http://catalogue.camozzi.com/downloads>.

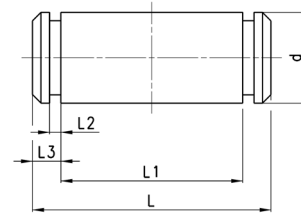


Mod.

<b>PCV-62-K3</b>	to connect valves - solenoid valves Series 3
<b>PCV-62-K4</b>	to connect valves - solenoid valves Series 4 port G1/4
<b>PCV-62-KEN</b>	to connect valves - solenoid valves Series EN
<b>PCV-62-K8</b>	to connect valves - solenoid valves Series 4 port G1/8 and Series 3 port G1/4

**Clevis pin Mod. S**

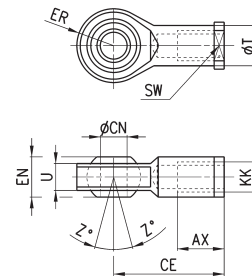
Supplied with:  
 1x centering pin in  
 stainless steel 303  
 2x seeger in steel


**DIMENSIONS**

Mod.	∅	d	L	L1	L2	L3
<b>S-32</b>	32	10	52	46	1.1	3
<b>S-40</b>	40	12	59	53	1.1	3
<b>S-50</b>	50	12	67	61	1.1	3
<b>S-63</b>	63	16	77	71	1.1	3
<b>S-80</b>	80	16	97	91	1.1	3
<b>S-100</b>	100	20	121	111	1.3	5
<b>S-125</b>	125	25	140.5	132	1.3	4.25

**Swivel ball joint Mod. GA**

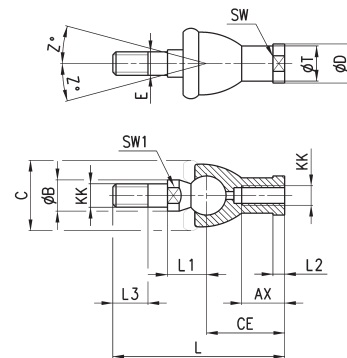
ISO 8139.  
 Material: zinc-plated steel.



Mod.	∅CN	U	EN	ER	AX	CE	KK	T	Z	SW
<b>GA-32</b>	10	10,5	14	14	20	43	M10X1,25	15	6,5	17
<b>GA-40</b>	12	12	16	16	22	50	M12X1,25	17,5	6,5	19
<b>GA-50-63</b>	16	15	21	21	28	64	M16X1,5	22	7,5	22
<b>GA-80-100</b>	20	18	25	25	33	77	M20x1,5	27,5	7	30
<b>GA-112-125</b>	30	25	37	37	51	110	M27x2	40	7,5	41

**Piston rod socket joint Mod. GY**

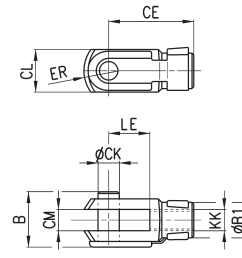
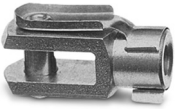
Material: zama and zinc-plated steel.


**DIMENSIONS**

Mod.	∅	KK	L	CE	L2	AX	SW	SW1	L1	L3	∅T	∅D	E	∅B	∅C	Z
<b>GY-32</b>	32	M10X1,25	74	35	6,5	18	17	11	19,5	15	15	19	10	14	28	15
<b>GY-40</b>	40	M12X1,25	84	40	6,5	20	19	17	21	17	17,5	22	12	19	32	15
<b>GY-50-63</b>	50-63	M16X1,5	112	50	8	27	22	19	27,5	23	22	27	16	22	40	11
<b>GY-80-100</b>	80-100	M20x1,5	133	63	10	38	30	24	31,5	25	27,5	34	20	27	45	7,5

Rod fork end Mod. G

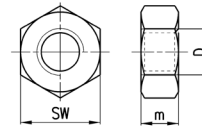
ISO 8140  
Material: zinc-plated steel



Mod.	øCK	LE	CM	CL	ER	CE	KK	B	B1
<b>G-25-32</b>	10	20	10	20	12	40	M10 X 1,25	26	18
<b>G-40</b>	12	24	12	24	14	48	M12 X 1,25	32	20
<b>G-50-63</b>	16	32	16	32	19	64	M16 X 1,5	40	26
<b>G-80-100</b>	20	40	20	40	25	80	M20 X 1,5	48	34
<b>G-41-125</b>	30	54	30	55	38	110	M27 X 2	74	48

Piston rod lock nut Mod. U

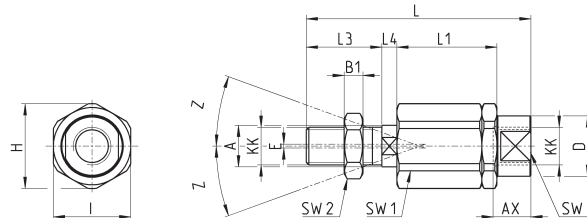
ISO 4035  
Material: zinc-plated steel.



Mod.	D	m	SW
<b>U-25-32</b>	M10X1,25	6	17
<b>U-40</b>	M12X1,25	7	19
<b>U-50-63</b>	M16X1,5	8	24
<b>U-80-100</b>	M20x1,5	9	30
<b>U-41-125</b>	M27x2	12	41

Self aligning rod Mod. GK

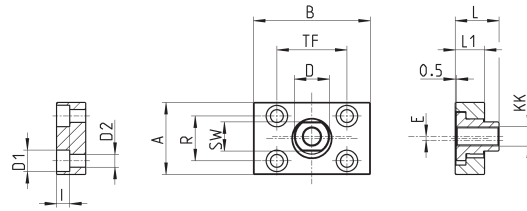
Material: zinc-plated steel.



DIMENSIONS																	
Mod.	Ø	KK	L	L1	L3	L4	øA	øD	H	I	SW	SW1	SW2	B1	AX	Z	E
<b>GK-25-32</b>	25-32	M10x1,25	71,5	35	20	7,5	14	22	32	30	19	12	17	5	22	4	2
<b>GK-40</b>	40	M12x1,25	75,5	35	24	7,5	14	22	32	30	19	12	19	6	22	4	2
<b>GK-50-63</b>	50-63	M16x1,5	104	53	32	10	22	32	45	41	27	20	24	8	30	3	2
<b>GK-80-100</b>	80-100	M20x1,5	119	53	40	10	22	32	45	41	27	20	30	10	37	3	2
<b>GK-125</b>	125	M27x2	147	60	54	10	32	57	70	65	54	24	41	12	48	4	2

**Coupling piece Mod. GKF**

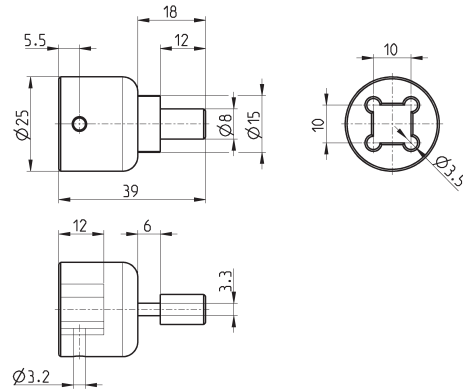
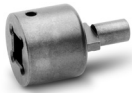
Material: zinc-plated steel.


**DIMENSIONS**

Mod.	Ø	KK	A	B	R	TF	L	L1	I	Ø D	Ø D1	Ø D2	SW	E
<b>GKF-25-32</b>	32	M10x1,25	37	60	23	36	22,5	15	6,8	18	11	6,6	15	2
<b>GKF-40</b>	40	M12x1,25	56	60	38	42	22,5	15	9	20	15	9	15	2,5
<b>GKF-50-63</b>	50-63	M16x1,5	80	80	58	58	26,5	15	10,5	25	18	11	22	2,5
<b>GKF-80-100</b>	80-100	M20x1,5	90	90	65	65	32,5	20	13	30,5	20	14	27	2,5
<b>GKF-125</b>	125	M27x2	90	90	65	65	35,5	20	13	40	20	14	36	4

**Special key to disassemble cylinders Ø 80-100, round tube**

Material: hardened steel



Mod.

**80-62/8C**