

Series 27 roundline cylinders

Double-acting, magnetic
 ø 20, 25, 32, 40, 50, 63 mm



- » Reduced dimensions
- » Different mounting options
- » Perfect alignment, perfect linearity

Series 27 has been designed to reduce the cylinders sizes as much as possible. These cylinders have been constructed with clean lines using stainless steel for both the tube and the rod and Aluminium for the end-blocks.

The choice of material and other design features have allowed to create a range of versatile and reliable cylinders. The precise method of securing the tube to the end block ensures that all the parts are perfectly aligned. Mechanical cushioning has been fitted on these cylinders in order to reduce noise produced by the piston impact on the end-blocks. Cylinders Series 27 are suitable for assembling with magnetic sensors. Various mounting bracket accessories enable the cylinders to be fitted to suit the requirements of a particular application.

GENERAL DATA

Type of construction	flanged
Operation	double acting
Materials	end-blocks = AL - rod and tube = stainless steel - piston = AL piston and rod seals = PU
Mounting	feet - trunnion - steel bar - pins
Strokes min-max	all diameters 10 - 1000 mm
Bores	ø 20, 25, 32, 40, 50, 63
Operating temperature	0°C + 80°C (with dry air - 20°C)
Operating pressure	1 ÷ 10 bar
Speed	10 ÷ 1000 mm/sec (no load)
Fluid	filtered air, without lubrication. If lubricated air is used, it is recommended to use oil ISOVG32. Once applied the lubrication should never be interrupted.

STANDARD STROKES FOR DOUBLE-ACTING CYLINDERS SERIES 27

Mod. 27M and 27T (ø 20 ÷ 40) and Mod. 27U (ø 20 ÷ 63)

STANDARD STROKES														
Ø	10	25	40	50	80	100	125	160	200	250	300	320	400	500
20	▪	▪	▪	▪	▪	▪	▪	▪	▪	▪	▪	▪	▪	▪
25	▪	▪	▪	▪	▪	▪	▪	▪	▪	▪	▪	▪	▪	▪
32	▪	▪	▪	▪	▪	▪	▪	▪	▪	▪	▪	▪	▪	▪
40	▪	▪	▪	▪	▪	▪	▪	▪	▪	▪	▪	▪	▪	▪
50	▪	▪	▪	▪	▪	▪	▪	▪	▪	▪	▪	▪	▪	▪
63	▪	▪	▪	▪	▪	▪	▪	▪	▪	▪	▪	▪	▪	▪

CODING EXAMPLE

27	M	2	A	20	A	0050
27	SERIES					
M	VERSION M = rear endblock with trunnion and upper round port for ø 20-25-32-40 T = rear endblock with rear round port for ø 20-25-32-40 U = rear endblock with upper round port for ø 20-25-32-40-50-63					
2	OPERATION 2 = double-acting			PNEUMATIC SYMBOL CD08		
A	MATERIALS A = rolled stainless steel rod - stainless steel tube					
20	BORE 20 = 20 mm - 25 = 25 mm - 32 = 32 mm - 40 = 40 mm - 50 = 50 mm - 63 = 63 mm					
A	TYPE OF DESIGN A = standard					
0050	STROKE (see the table)					

PNEUMATIC SYMBOLS

The pneumatic symbols which have been indicated in the CODING EXAMPLE are shown below.



ACCESSORIES FOR MAGNETIC CYLINDERS SERIES 27

 Coupling piece
Mod. GKF

 Self aligning rod
Mod. GK

 Threaded trunnion pin
Mod. T

 Piston rod socket joint
Mod. GY


Swivel ball joint Mod. GA



Foot mount Mod. B



Foot mount Mod. B



Nose nut Mod. V


 Rear trunnion bracket
Mod. I

 Piston rod lock nut
Mod. U

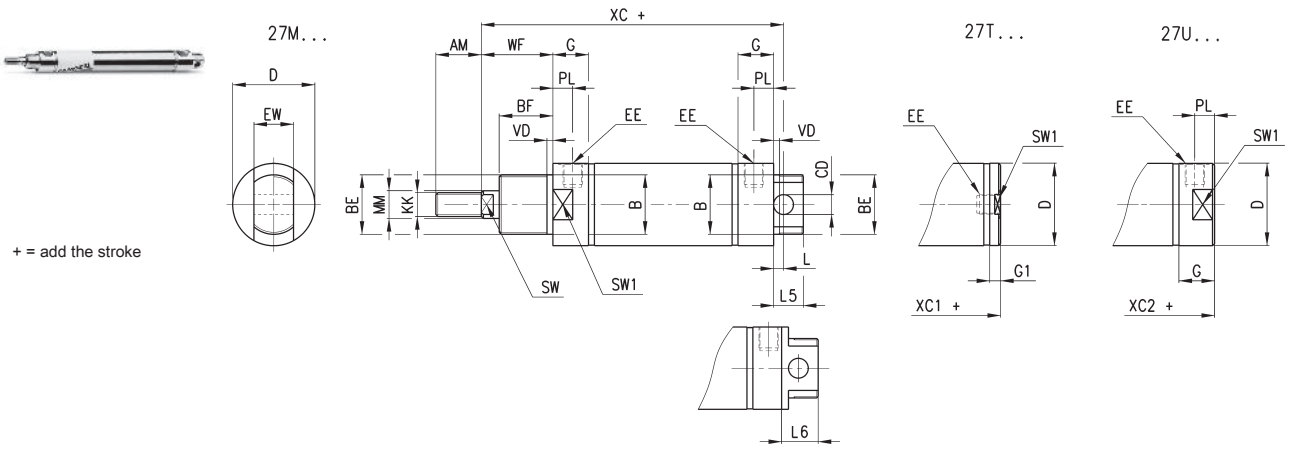
 Rear trunnion bracket
Mod. I


Rod fork end Mod. G



All accessories are supplied separately.

Cylinders Series 27 (Ø 20, 25, 32, 40)

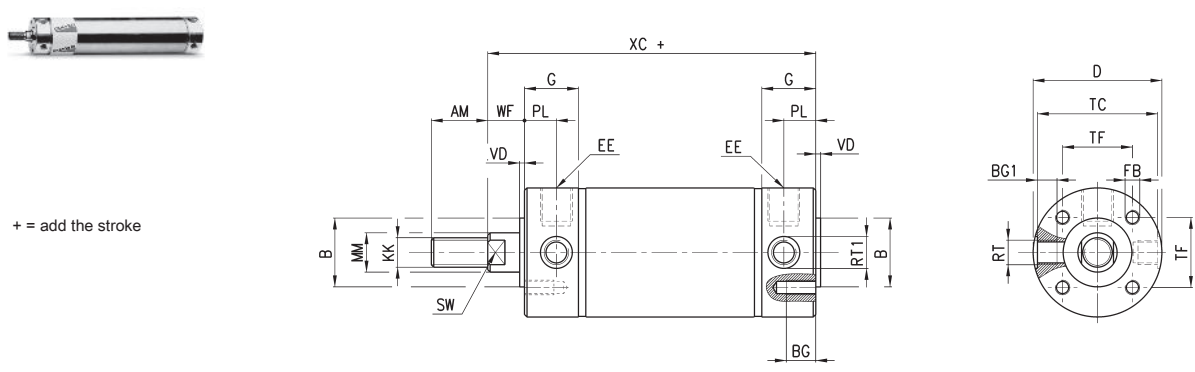


+ = add the stroke

DIMENSIONS

Ø	AM	øB	BF	BE	øCD ^{H9}	øD	EE	EW	G	G1	KK	L	L6	MM ^{H9}	L5	PL	SW	VD	WF	XC+	XC1+	XC2+	SW1
20	14	16	12	M16x1,5	6	21,5	G1/8	12	15,5	8	M8x1,25	7	-	8	13	9	7	3	17	77	62,5	70,8	19
25	16	18	12	M18x1,5	8	26,5	G1/8	14	15,5	8	M10x1,25	9	-	10	17	9	9	3	16,5	78,5	62	69,5	24
32	22	22	15	M22x1,5	8	33,5	G1/8	16	17,5	5,5	M10x1,25	7	20	12	15	9	10	3	23	93	74	86	30
40	23	30	15	M30x1,5	10	41,5	G1/8	20	18	5,5	M12x1,25	5	24	16	15	10	13	3	24	96	78,5	91	38

Cylinders Series 27 (Ø 50, 63)



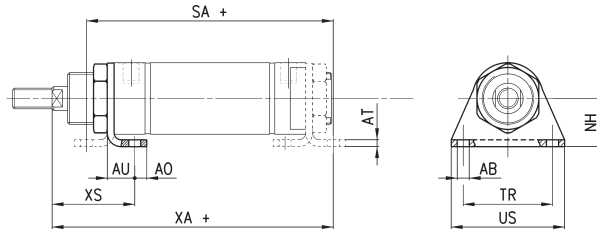
+ = add the stroke

DIMENSIONS

Ø	AM	øB	BG	BG1	øD	EE	FB	G	KK	øMM ^{H9}	PL	RT	RT1	SW	TC	TF	VD	WF	XC+
50	23	28	12	8	52,5	G1/4	M6	22	M12x1,25	16	13	M10x1	13	13	49	28,5	2	13	97
63	30	35	12	9,5	65,5	G1/4	M8	22	M16x1,5	20	13	M12x1,5	15	17	62	35,5	2	13	99

Foot mount Mod. B

Material: zinc-plated steel

 Supplied with:
 1x foot
 1x front end cap nut mod. V


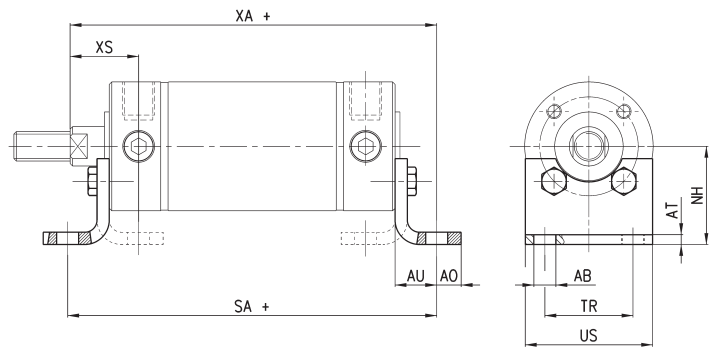
+ = add the stroke

DIMENSIONS

Mod.	∅	∅AB	AO	AT	AU	NH	SA+	TR	US	XA+	XS
B-27-20	20	5,5	6	3	13	20	79	32	42	83	27
B-27-25	25	6,6	8	3	12,5	22	78	38	49	82	26
B-27-32	32	6,6	8	4	16	25	95	40	54	102	35
B-27-40	40	7	7	4	16	28	99	52	66	107	36

Foot mount Mod. B

Material: zinc-plated steel

 Supplied with:
 2x feet
 4x screws


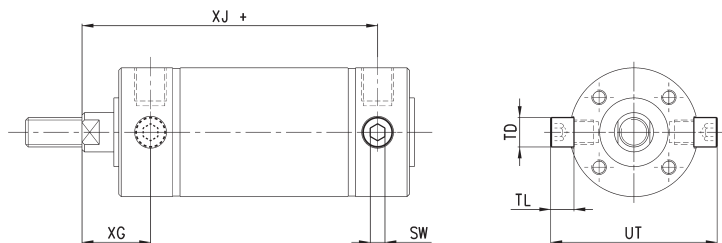
+ = add the stroke

DIMENSIONS

Mod.	∅	∅AB	AO	AT	AU	NH	SA+	TR	US	XA+	XS
B-27-50	50	9	10	4	17	40	118	36	52	114	26
B-27-63	63	9	10	5	19	47	124	45	61	118	27

Threaded trunnion pin Mod. T

Material: stainless steel

 Supplied with:
 2x pins


+ = add the stroke

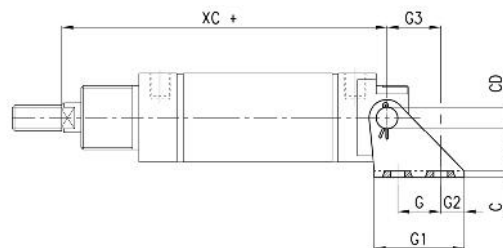
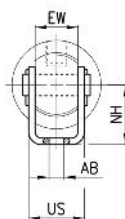
DIMENSIONS

Mod.	∅	SW	TD ⁹⁰	TL	UT	XG	XJ+
T-27-50	50	6	12	9,5	68	26	84
T-27-63	63	6	14	11	84	26	86

Rear trunnion bracket Mod. I (Ø 20, 25, 32, 40)

Material: zinc-plated steel

Supplied with:
1x female hinge
1x pin
2x Seeger



+ = add the stroke

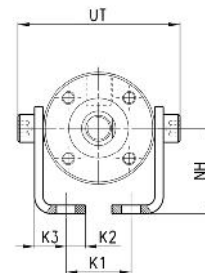
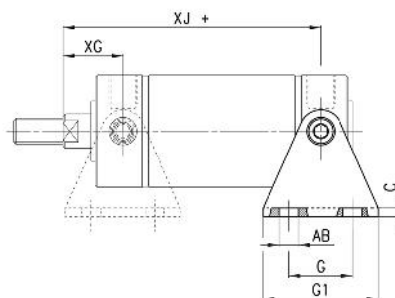
DIMENSIONS

Mod.	Ø	G	G1	G2	G3	C	XC+	øAB	US	NH	øCD	EW
I-27-20	20	15	30	8	18,5	1,5	77	5,5	15	20	6	12
I-27-25	25	15	33	9	20	2	78,5	6,6	18	22	8	14
I-27-32	32	15	35	10	20	2	93	6,6	20,5	25	8	16
I-27-40	40	20	42	11	25	3	96	7	26	28	10	20

Rear trunnion bracket Mod. I

Material: zinc-plated steel

Supplied with:
2x pins
2x feet



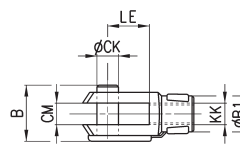
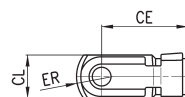
+ = add the stroke

DIMENSIONS

Mod.	Ø	G	G1	C	XJ+	XG	øAB	K1	K1	K2	K3	NH	UT
I-27-50	50	30	54	4	84	26	9	9	30,5	9	15	40	68
I-27-63	63	40	64	5	86	26	9	9	40,5	9	17,5	47	84

Rod fork end Mod. G

Material: zinc-plated steel
ISO 8140

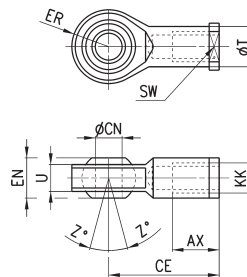


DIMENSIONS

Mod.	Ø	øCK	LE	CM	CL	ER	CE	KK	B	øB1
G-20	20	8	16	8	16	10	32	M8x1,25	22	14
G-25-32	25-32	10	20	10	20	12	40	M10x1,25	26	18
G-40	40-50	12	24	12	24	14	48	M12x1,25	32	20
G-50-63	63	16	32	16	32	19	64	M16x1,5	40	26

Swivel ball joint Mod. GA

Material: zinc-plated steel
ISO 8139

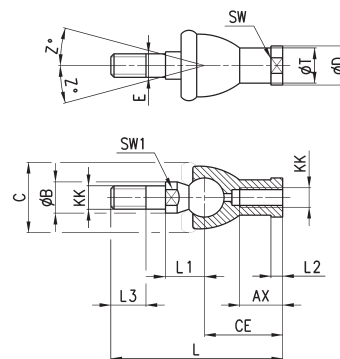


DIMENSIONS

Mod.	Ø	ØCN ^(H7)	U	EN	ER	AX	CE	KK	ØT	Z	SW
GA-20	20	8	9	12	12	16	36	M8x1,25	12,5	6,5	14
GA-32	25-32	10	10,5	14	14	20	43	M10x1,25	15	6,5	17
GA-40	40-50	12	12	16	16	22	50	M12x1,25	17,5	6,5	19
GA-50-63	63	16	15	21	21	28	64	M16x1,5	22	7,5	22

Piston rod socket joint Mod. GY

Material: zama and zinc-plated steel

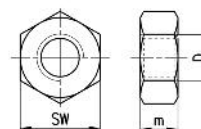


DIMENSIONS

Mod.	Ø	KK	L	CE	L2	AX	E	ØB	ØC	T	D	L1	L3	SW1	SW	Z
GY-20	20	M8x1,25	65	32	5	16	8	12	24	12,5	16	16	12	10	14	15
GY-32	25-32	M10x1,25	74	35	6,5	18	10	14	28	15	19	19,5	15	11	17	15
GY-40	40-50	M12x1,25	84	40	6,5	20	12	19	32	17,5	22	21	17	17	19	15
GY-50-63	63	M16x1,5	112	50	8	27	16	22	40	22	27	27,5	23	19	22	11

Piston rod lock nut Mod. U

Material: zinc-plated steel
ISO 4035

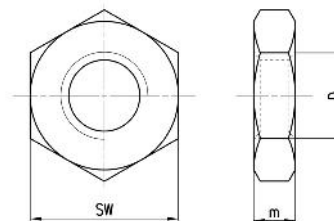


DIMENSIONS

Mod.	Ø	D	m	SW
U-20	20	M8x1,25	5	13
U-25-32	20-32	M10x1,25	6	17
U-40	40-50	M12x1,25	7	19
U-50-63	63	M16x1,5	8	24

Nose nut Mod. V

ISO 4035
V-27-25 / V-42-32 not according standard.
Material: zinc-plated steel

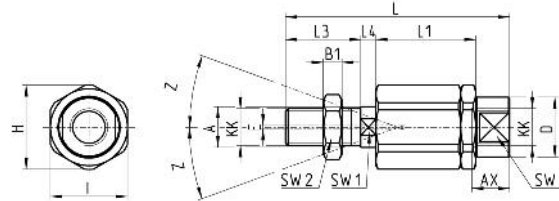


DIMENSIONS

Mod.	Ø	D	m	SW
V-12-16	20	M16x1,5	6	24
V-27-25	25	M18x1,5	5	24
V-20-25	32	M22x1,5	10	32
V-42-32	40	M30x1,5	8	-

Self aligning rod Mod. GK

Material: zinc-plated steel

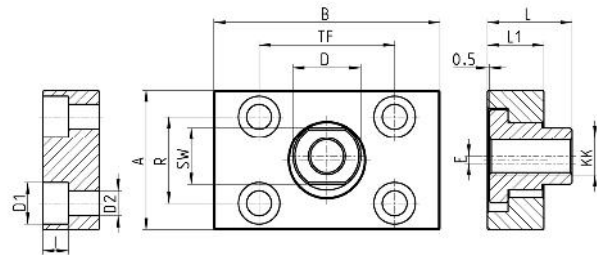


DIMENSIONS

Mod.	Ø	KK	L	L1	L3	L4	Ø A	Ø D	H	I	SW	SW1	SW2	B1	AX	Z	E
GK-20	20	M8x1,25	57	26	21	5	8	12,5	19	17	11	7	13	4	16	4	2
GK-25-32	25-32	M10x1,25	71,5	35	20	7,5	14	22	32	30	19	12	17	5	22	4	2
GK-40	40	M12x1,25	75,5	35	24	7,5	14	22	32	30	19	12	19	6	22	4	2
GK-50-63	50-63	M16x1,5	104	53	32	10	22	32	45	41	27	20	24	8	30	3	2

Coupling piece Mod. GKF

Material: zinc-plated steel



DIMENSIONS

Mod.	Ø	KK	A	B	R	TF	L	L1	I	Ø D	Ø D1	Ø D2	SW	E
GKF-20	20	M8x1,25	30	35	20	25	22,5	10	-	14	5,5	-	13	1,5
GKF-25-32	25-32	M10x1,25	37	60	23	36	22,5	15	6,8	18	11	6,6	15	2
GKF-40	40	M12x1,25	56	60	38	42	22,5	15	9	20	15	9	15	2,5
GKF-50-63	50-63	M16x1,5	80	80	58	58	26,5	15	10,5	25	18	11	22	2,5