



## Pressure regulator for water

- Brass version with DVGW and international drinking water approvals
- Stainless steel version with DVGW-Approval
- Compact plastic version
- Manometer port at pressure output

The water pressure regulator works on the principle of pressure reduction. It is preferably for use in the provided water systems. The pressure regulator consists of a housing, a piston or diaphragm valve with an adjustable spring and a spring cap.

The inlet pressure reaches the target value, opens the piston or diaphragm against the spring force of the control valve and builds up the output pressure. The output pressure is the controlled variable. When exceeding the nominal value the valve closes, when there is a shortfall the valve opens and thus the output pressure is kept almost constant. By changing the spring tension, the spring setpoint can be continuously adjusted.

### Version I:

Brass housing with DIN DVGW and international drinking water approvals

### Version II:





Brass housing with inspectable strainer, DIN DVGW and international drinking water approvals

### Version III:





Stainless steel case with DIN DVGW approval


### Version IV:

With plastic housing, union connection G 1/8" and G 1/4"

Technical data – Version I	
Body material	EN 12165 CW602N
Seal material	NBR
Diaphragm	NBR
Valve type	Single seat valve, relieved
Material valve seat	Stainless steel (AISI 304)
Strainer	Mesh-size 0.51 mm
Pressure gauge connection	G 1/4 (without pressure gauge)
Port connections	1/2" to 2" (threaded male)
Medium temperature	+60 °C
Inlet pressure	25 bar <sup>1)</sup>
Outlet pressure	1–6 bar <sup>1)</sup>
Default setting	3 bar <sup>1)</sup>
Flow rate	1–2 m/s (optimum values)
Noise class II	< 30
Mounting place	if possible directly behind the counter
Installation	horizontal or vertical, preferably spring cap upright. Observe flow direction!
Approvals	   

<sup>1)</sup> Pressure values (bar): Overpressure with respect to atmospheric pressure

Technical data – Version II	
<b>Body material</b>	Brass DZR EN 12165 CW602N
<b>Seal material</b>	NBR
<b>Diaphragm</b>	NBR
<b>Valve type</b>	Single seat valve, relieved
<b>Material valve seat</b>	Stainless steel (AISI 304)
<b>Strainer</b>	Inspectable, mesh-size 0,51mm
<b>Pressure gauge connection</b>	G 1/4 (without pressure gauge)
<b>Port connections</b>	1/2" to 1" (threaded male)
<b>Medium temperature</b>	+40 °C
<b>Inlet pressure</b>	25 bar <sup>1)</sup>
<b>Outlet pressure</b>	1–6 bar <sup>1)</sup>
<b>Default setting</b>	3 bar <sup>1)</sup>
<b>Flow rate</b>	1–2 m/s (optimum values)
<b>Noise class II</b>	<30
<b>Mounting place</b>	if possible directly behind the counter
<b>Installation</b>	horizontal or vertical, preferably spring cap upright. Observe flow direction!
<b>Approvals</b>	   

Technical data – Version III	
<b>Body material</b>	Stainless steel 1.4305
<b>Seal material</b>	NBR
<b>Diaphragm</b>	NBR
<b>Valve type</b>	Single seat valve, relieved
<b>Material valve seat</b>	Stainless steel
<b>Material strainer bowl</b>	Stainless steel
<b>Pressure gauge connection</b>	both ways 1/4" (without pressure gauge)
<b>Port connections</b>	1/2" to 2" (threaded male)
<b>Medium temperature</b>	+70 °C
<b>Inlet pressure</b>	25 bar <sup>1)</sup>
<b>Outlet pressure</b>	1,5–6 bar <sup>1)</sup>
<b>Default setting</b>	3 bar <sup>1)</sup>
<b>Flow rate</b>	1–2 m/s (optimum values)
<b>Noise class II</b>	<30
<b>Mounting place</b>	if possible directly behind the counter
<b>Installation</b>	in horizontal direction, strainer bowl downwards
<b>Approvals</b>	

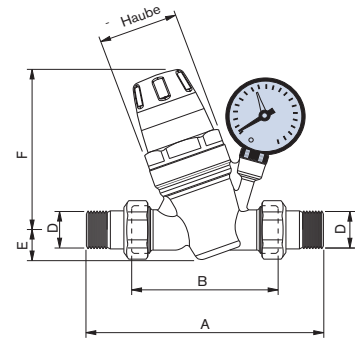
Technical data – Version IV (plastic body, with threaded ports G 1/8 and G 1/4)	
<b>Body material</b>	Technopolymer
<b>Threaded port</b>	Brass
<b>Special roller diaphragm</b>	NBR
<b>Medium</b>	water
<b>Medium temperature</b>	max. +50 °C
<b>Pressure gauge connection</b>	G 1/8 (without pressure gauge)
<b>Port connections</b>	Threaded port G 1/8 or G 1/4
<b>Inlet pressure</b>	max. 13 bar <sup>1)</sup>
<b>Outlet pressure (continuously adjustable)</b>	0–4 bar <sup>1)</sup> 0–8 bar <sup>1)</sup> 0–12 bar <sup>1)</sup>
<b>Setpoint adjustment</b>	only ascending pressure, screw can be locked
<b>Installation</b>	As required, preferably controller handle upright. Observe flow direction!
<b>Approvals</b>	None

<sup>1)</sup> Pressure values (bar): Overpressure with respect to atmospheric pressure

## Ordering chart pressure regulator for water

## Version I

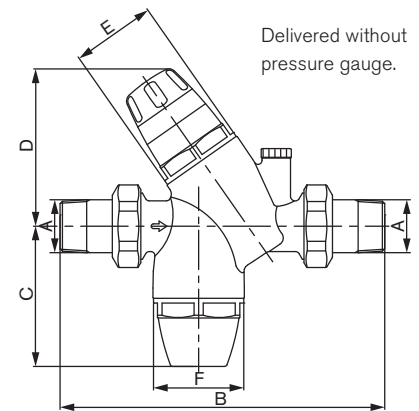
Port connections D (inch)	A [mm]	B [mm]	E [mm]	F [mm]	Ø Cover [mm]	Kvs [m <sup>3</sup> /h]	Item no.
1/2	140.00	76.00	20.50	112.00	54.00	1.27	788 439
3/4	160.00	90.00	20.50	112.00	54.00	2.27	788 440
1	180.00	95.00	20.50	112.00	54.00	3.60	788 441
1 1/4	200.00	110.00	40.00	178.00	73.00	5.80	788 442
1 1/2	220.00	120.00	40.00	178.00	73.00	9.10	788 443
2	250.00	130.00	40.00	178.00	73.00	14.00	788 444



The pressure regulator version I has a pressure gauge G 1/4 for measuring the output pressure. Delivered without pressure gauge.

## Version II

Port connections A (inch)	B [mm]	C [mm]	D [mm]	E [mm]	G [mm]	Kvs [m <sup>3</sup> /h]	Item no.
1/2	169.00	86.50	100.50	54.00	58.00	1.27	771 130
3/4	180.00	89.00	98.00	54.00	58.00	2.27	770 991
1	205.00	88.50	99.50	54.00	58.00	3.60	770 992



## Spare parts Version I and II

Spare parts	Item no.
Cartridge for 1/2"	771 847
Cartridge for 3/4"	771 847
Cartridge for 1"	771 848
Cartridge for 1 1/4"	771 849
Cartridge for 1 1/2"	771 850
Cartridge for 2"	770 243
Tool for filter case	771 851
Filter for Version II	771 852
Filter case for Version II	771 853



Cartridge



Filter

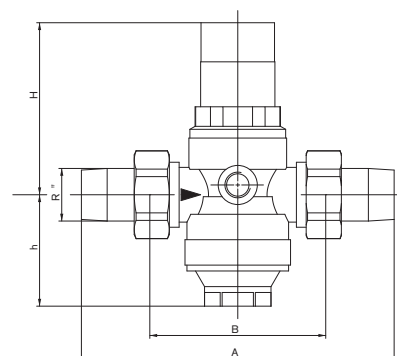


Filter case

## Ordering chart pressure regulator for water (continued)

## Version III

Port connection R (inch)	A [mm]	B [mm]	H [mm]	H [mm]	Kvs [m <sup>3</sup> /h]	Item no.
1/2	140.00	80.00	89.00	58.00	2.40	770 977
3/4	160.00	90.00	89.00	58.00	3.10	771 854
1	180.00	100.00	111.00	64.00	5.80	771 855
1 1/4	200.00	105.00	111.00	64.00	5.90	771 856
1 1/2	225.00	130.00	173.00	126.00	12.60	771 857
2	255.00	140.00	173.00	126.00	12.00	771 858



## Spare parts, Version III

Spare parts	Item no.
Valve insert 1/2" and 3/4"	772 210
Valve insert 1" and 1 1/4"	772 211
Valve insert 1 1/2" and 2"	772 212
Replacement strainer 1/2" and 3/4"	772 213
Replacement strainer 1" and 1 1/4"	772 214
Replacement strainer 1 1/2" and 2"	772 216
Tool for releasing	772 217

## Version IV

(plastic body, with threaded ports G 1/8 and G 1/4)

LTA threaded port	operating pressure [bar] <sup>1)</sup>	Item no.
G 1/8	0-4	783 256
	0-8	783 257
	0-12	783 258
G 1/4	0-4	783 259
	0-8	783 260
	0-12	783 261

<sup>1)</sup> Pressure values [bar]: Overpressure with respect to atmospheric pressure

## Ordering note:

For manometer please see datasheet, Type TAU001.

The pressure regulator version IV has a pressure gauge of G 1/8 for measuring the output pressure.

